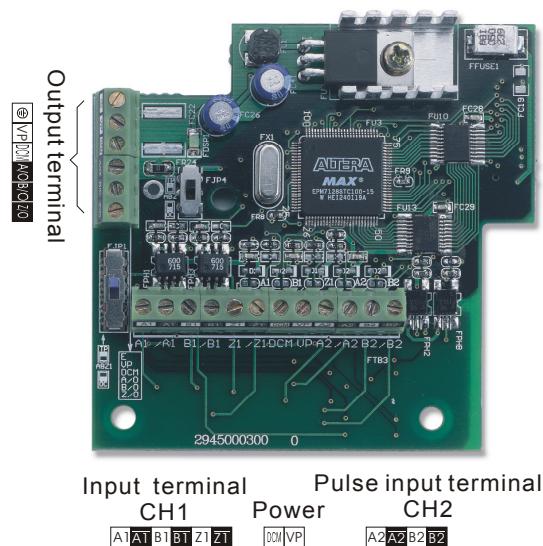


PG-04 Pulse Generator Card for VFD-V Series

Instruction Sheet

1-1 PG-04 Appearance



1-2 Explanations of the terminals of PG-04 Card

Terminals	Explanation
VP	Output voltage of encoder: +12V±5% 200mA
DCM	Common point of the power supply and the signal
A1, $\overline{A1}$ B1, $\overline{B1}$ Z1, $\overline{Z1}$	The input signal of encoder (select output type of the encoder from FJP1) The power supply can be single-phase and 2-phase and the Max. is 500KP/Sec.
A2, $\overline{A2}$ B2, $\overline{B2}$	The input signal of encoder (select output type of the encoder from FJP4) The power supply can be single-phase and 2-phase and the Max. is 500KP/Sec.
A/O, B/O, Z/O	The output signal of encoder can set the dividing frequency by using parameter 10-20. The Max. output of Open Collector is DC24V 100mA.
\oplus	Grounding

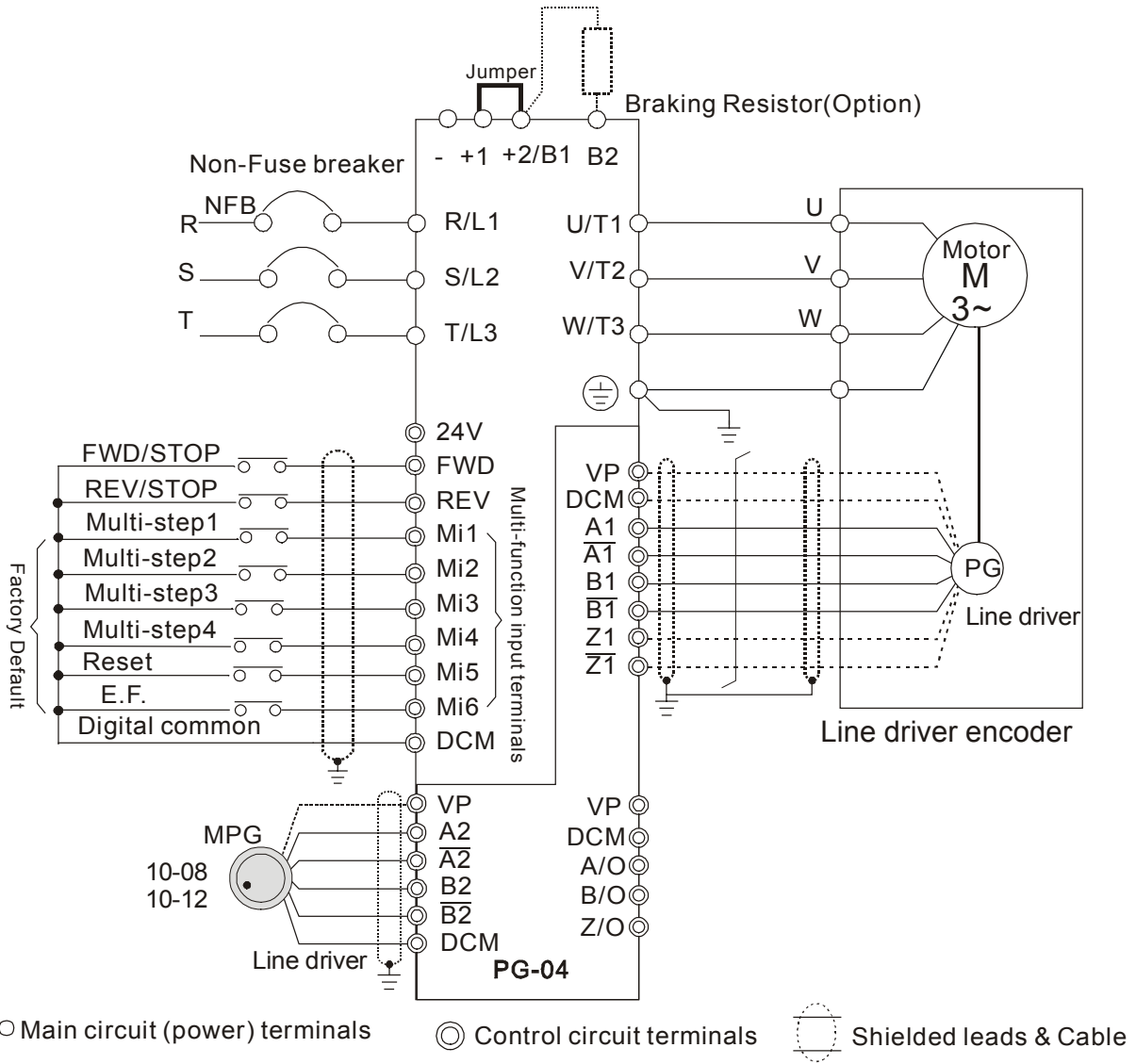
1-3 Wiring Notes

1. Using the shielded wire to prevent interference, and do not line up in parallel with circuits of AC200V or above.
2. Recommended wire size: 0.21~0.81mm² (AWG24~AWG18).
3. Wire length

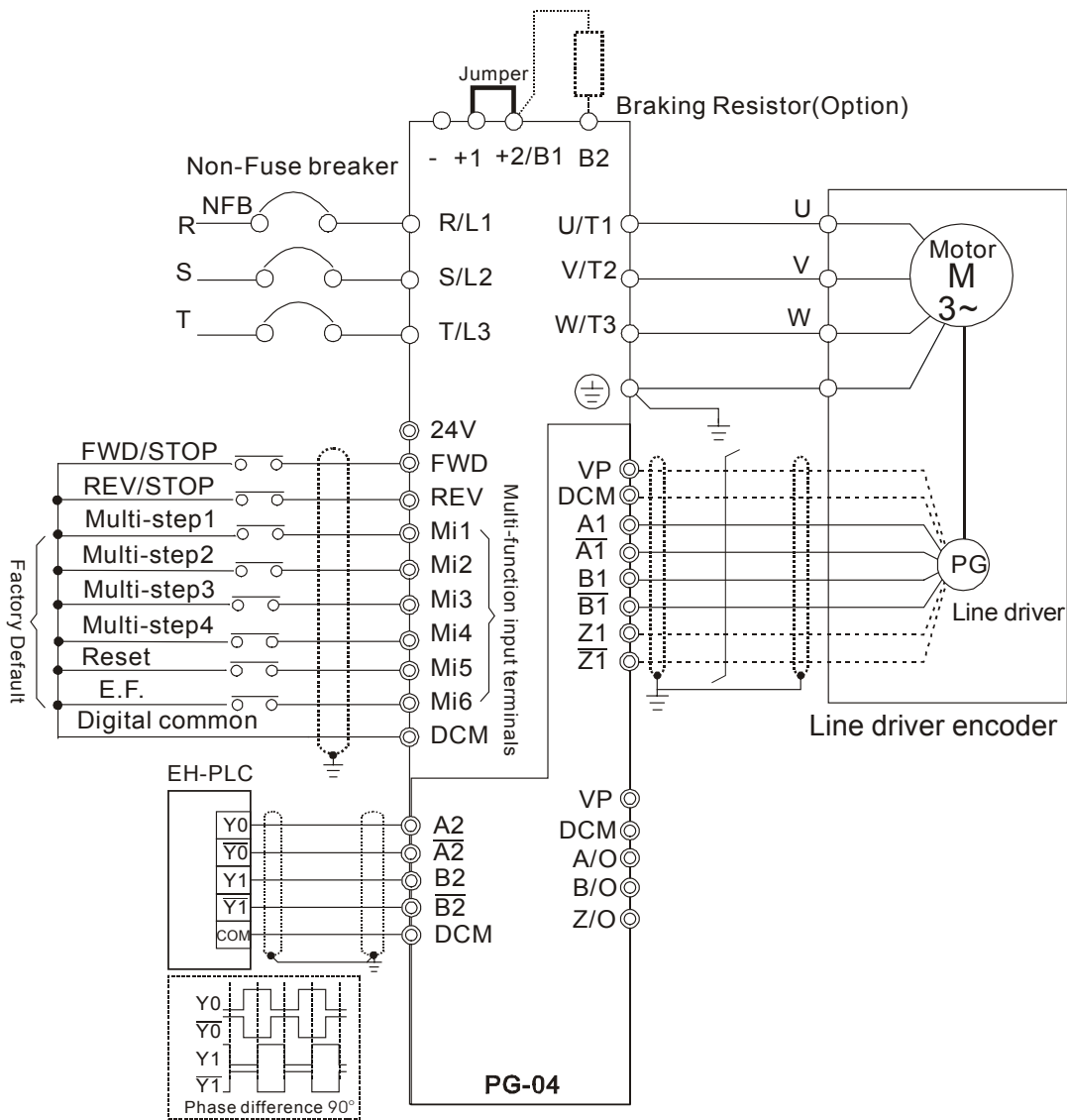
The Output Types of the Encoder	Max. Wire Length	Wire Gauge
Voltage	50m	1.25mm ² (AWG18) or above
Open Collector	50m	
Line Driver	300m	1.25mm ² (AWG18) or above
Complementary	70m	

1-4 Wiring Examples

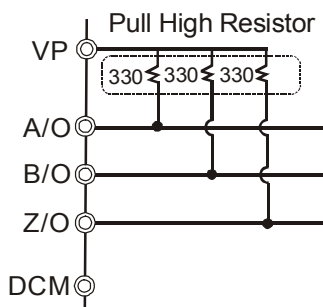
Wiring Diagram 1



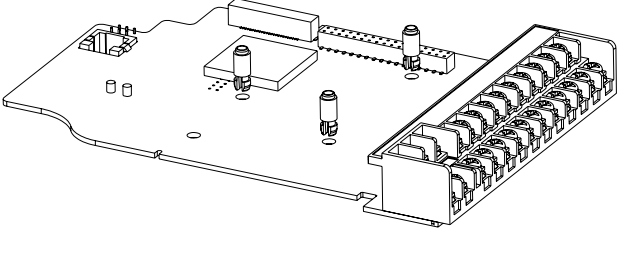
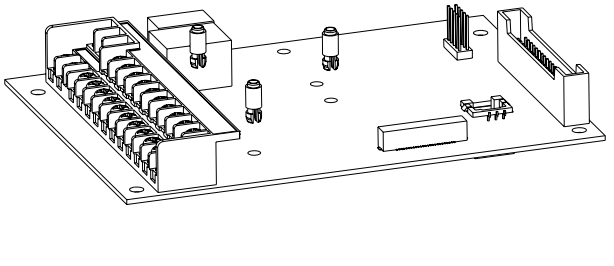
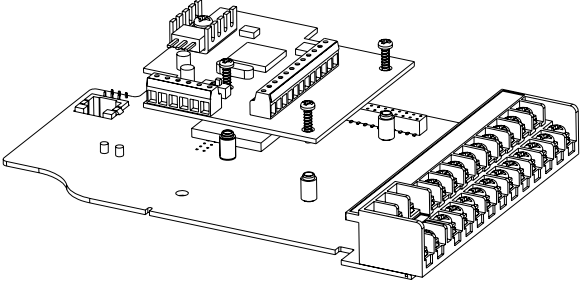
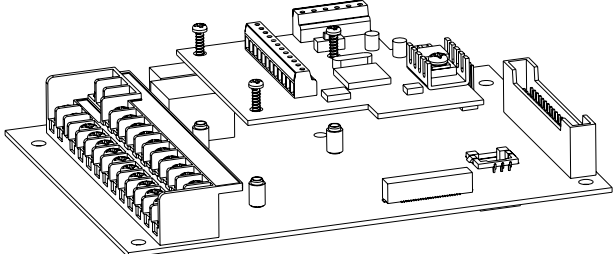
Wiring Diagram 2



Recommended Wiring for Resistors



1-5 Installation

<i>For 1-5HP</i>	<i>For 7.5 HP and above</i>
<p>Step 1: Insert 3 PCB supports into control board.</p>	
	
<p>Step 2: Press the PG card on the control board to be fixed to tighten the 3 screws with a torque of 4-6kgf-cm. If the PG card is not fixed on the control board, it may cause screw idle running and cannot turn the screw into supports.</p>	
	

1-6 The corresponding output types of encoder

Output Types of the Encoder		FJP1	FJP4
Voltage			
Open collector			
Line driver			
Complementary			



ASIA
DELTA ELECTRONICS, INC.
TAOYUAN Plant/
 31-1, SHIEN PAN ROAD,
 KUEI SAN INDUSTRIAL ZONE TAOYUAN
 333, TAIWAN, R.O.C
 TEL: 886-3-362-6301
 FAX: 886-3-362-7267

NORTH/SOUTH AMERICA
DELTA PRODUCTS CORPORATION
Sales Office/
 P.O. BOX 12173, 5101 DAVIS DRIVE, RTP,
 NC 27709, U. S. A.
 TEL: 1-919-767-3813
 FAX: 1-919-767-3969

EUROPE
DELTRONICS (Netherlands) B.V.
Sales Office/
 Industriegebied Venlo Nr. 9031,
 Columbusweg 20, NL-5928 LC Venlo
 The Netherlands
 TEL: 31-77-324-1930
 FAX: 31-77-324-1931

2007-07-16



5011614303-G4E3