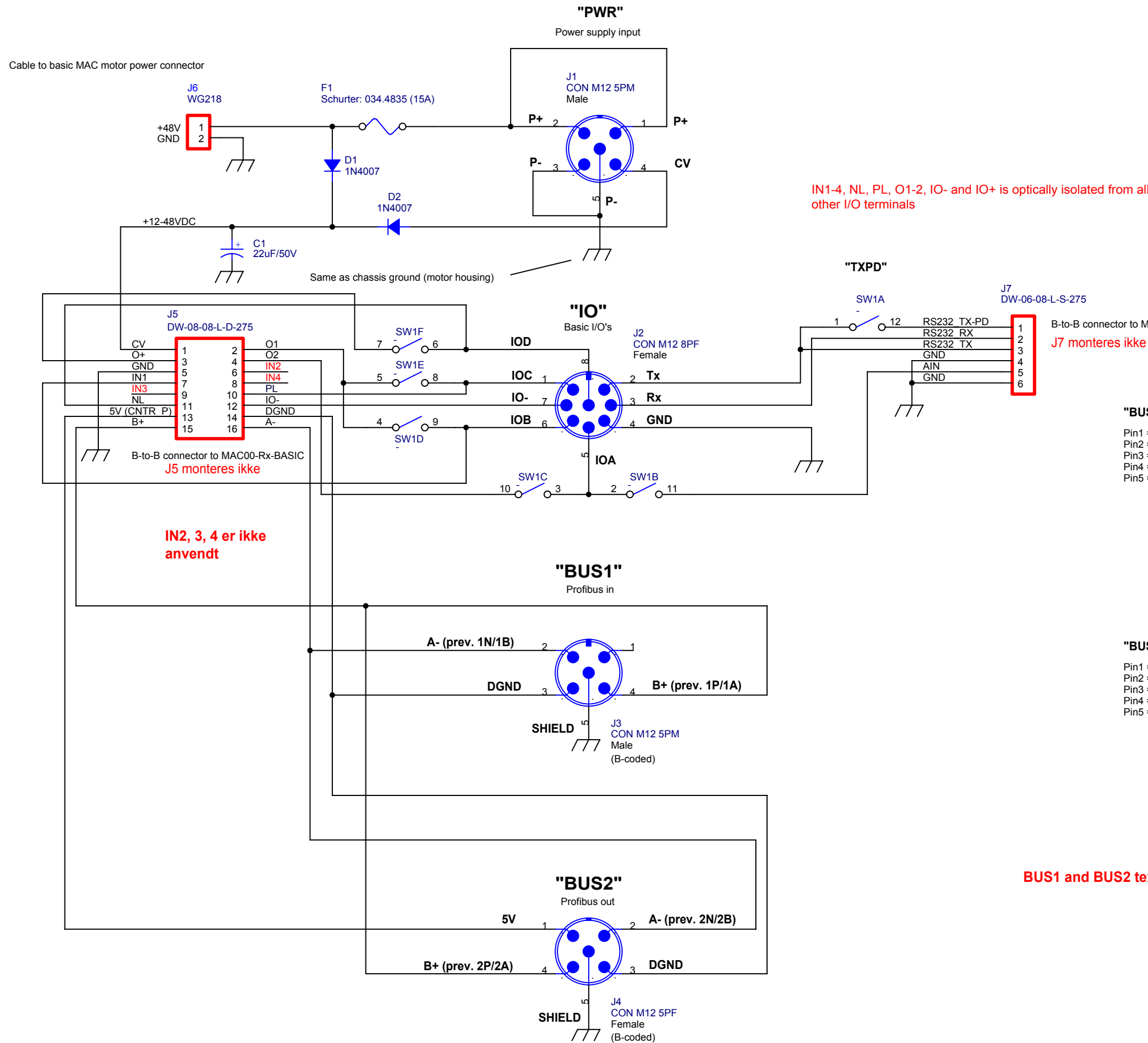
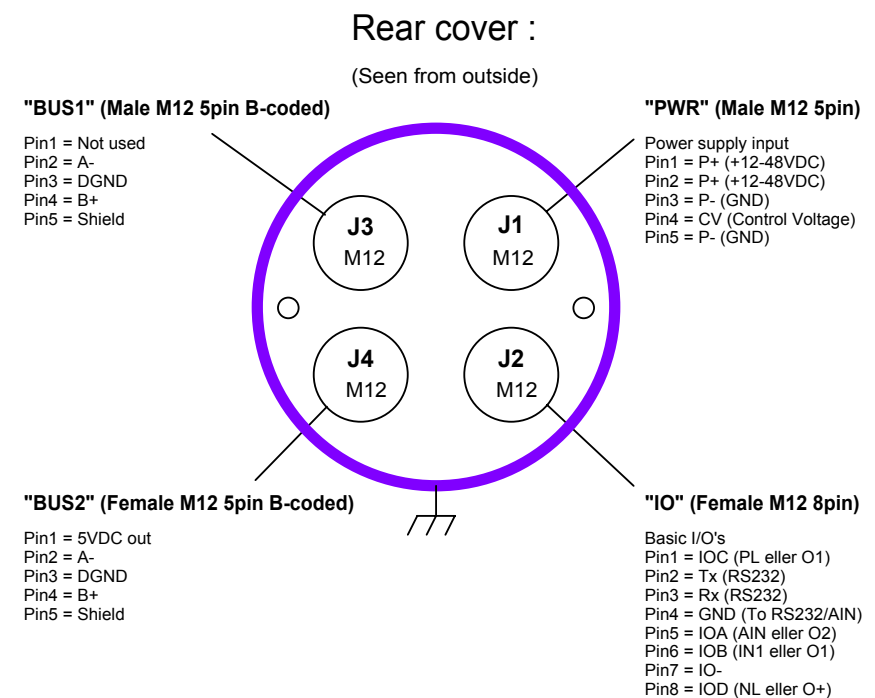
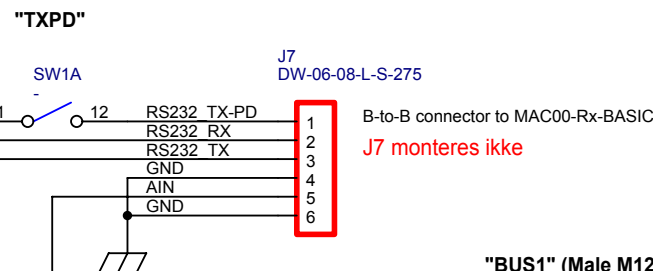
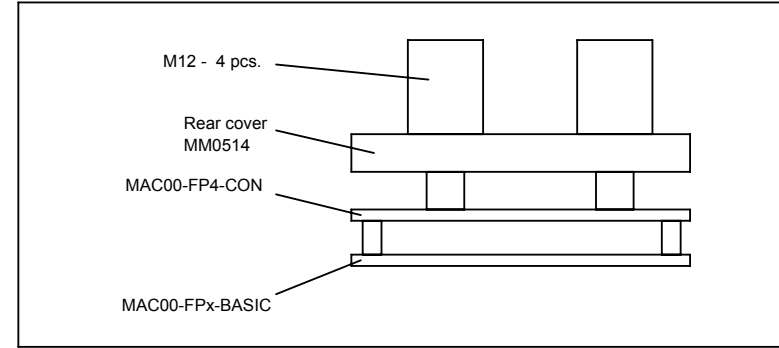


Connectorboard for MAC00-FPx-BASIC which assembled is named MAC00-FP4

MAC00-FP4-CON
PCB type PB0084-11



IN1-4, NL, PL, O1-2, IO- and IO+ is optically isolated from all other I/O terminals



IN2, 3, 4 er ikke anvendt

J5 monteres ikke

BUS1 and BUS2 texts corrected compared to original V1.10 drawing !

Benyttede ref. numre :
J1-7
F1
SW1
D1-2

Title		
JVL Industri Elektronik A/S		
Size	Document Number	Rev
A3	Connectorboard type MAC00-FP4-CON	1.10
Date:	Thursday, January 13, 2005	Sheet 1 of 1