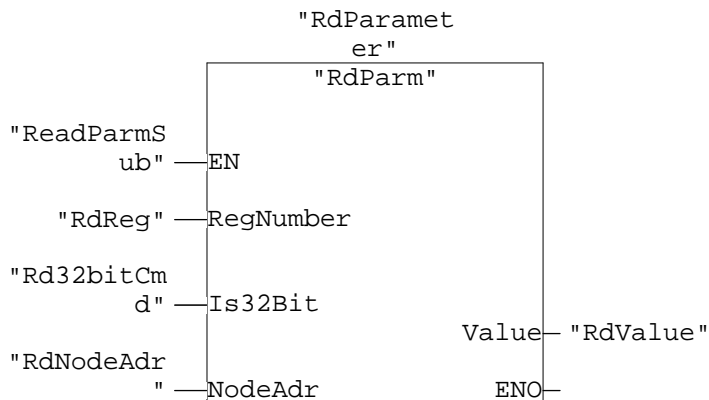


M0.0	WriteParmSub	Activate sub
MD100	WrValue	Value to register write
M90.0	Wr32bitCmd	32 bit command handling
MW104	WrReg	Register number to write
MW106	WrNodeAdr	Start address of the node at profibus

Réseau : 2 Read parameter

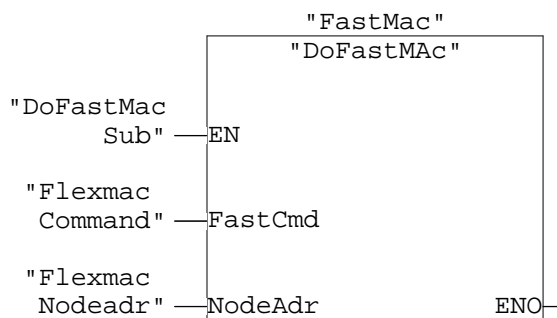
Call ReadParameter function

**Informations mnémonique**

FB63	RdParm	Read Parameter
DB63	RdParameter	
M0.1	ReadParmSub	Activate sub
MW114	RdReg	Register number to read
M90.1	Rd32bitCmd	32 bit command handling
MW116	RdNodeAdr	Start address of the node at profibus
MD110	RdValue	

Réseau : 3 FlexMac

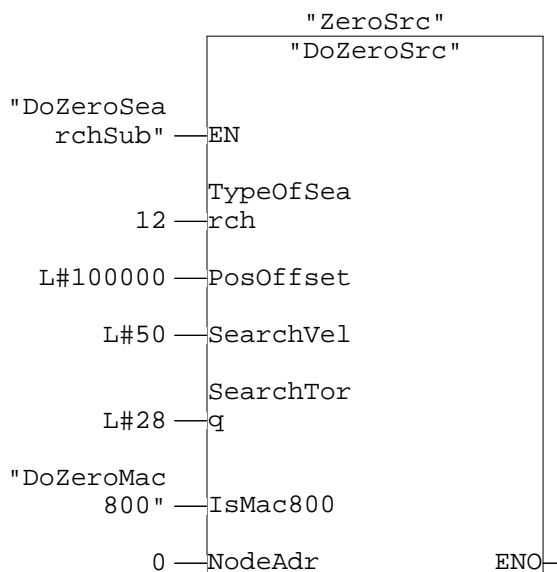
DoFastMac command

**Informations mnémonique**

FB64	DoFastMAC	Do fast commands to MAC
DB64	FastMac	
M0.2	DoFastMacSub	Activate sub
MW120	Flexmac Command	Command number
MW122	Flexmac Nodeadr	Start address of the node at profibus

Réseau : 4 Do ZeroSearching and Enable mode

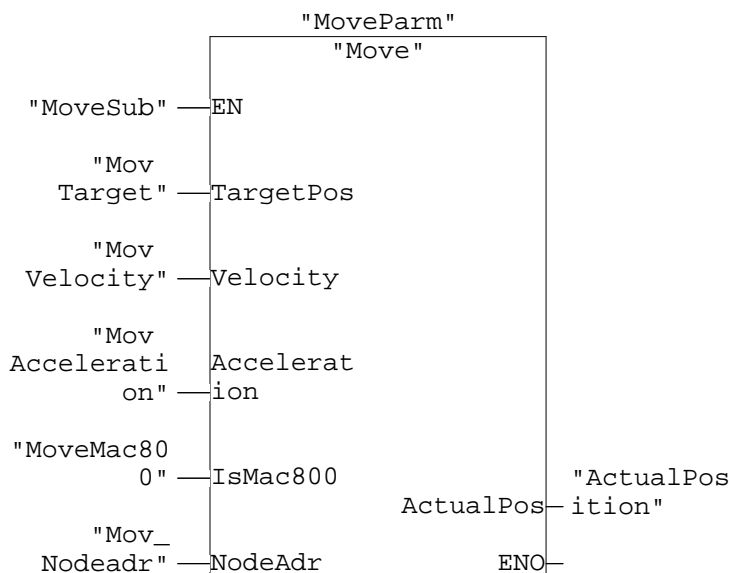
DoZeroSearch function, for setting up servo and activates motor. Function will end when the seach has been ended correct.



Informations mnémonique

FB61	DoZeroSrc	Do zero search command
DB61	ZeroSrc	
M0.3	DoZeroSearchSub	Activate sub
M90.2	DoZeroMac800	32 bit command handling

Réseau : 5 Move call function



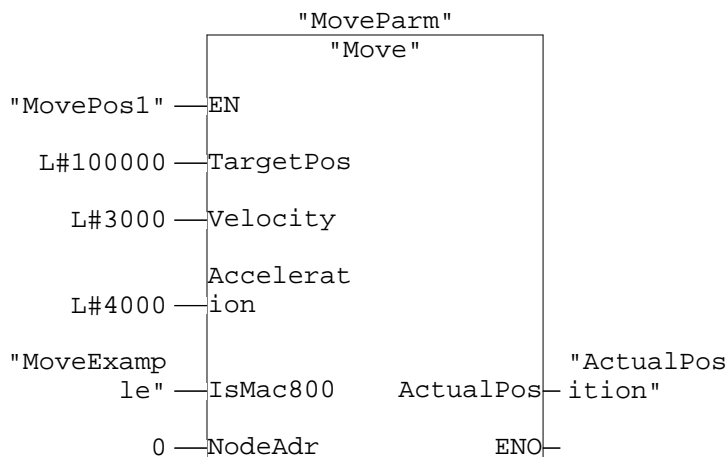
Informations mnémonique

FB60	Move	Move command
DB60	MoveParm	
M0.4	MoveSub	Activate sub
MD130	Mov Target	
MD134	Mov Velocity	
MD138	Mov Acceleration	
M90.3	MoveMac800	32 bit command handling

MW142 Mov_Nodeadr Start address of the node at profibus
 MD144 ActualPosition Servo actual position

Réseau : 6 Move1 positioning example

Read for detail in MAC drives for Profibus control

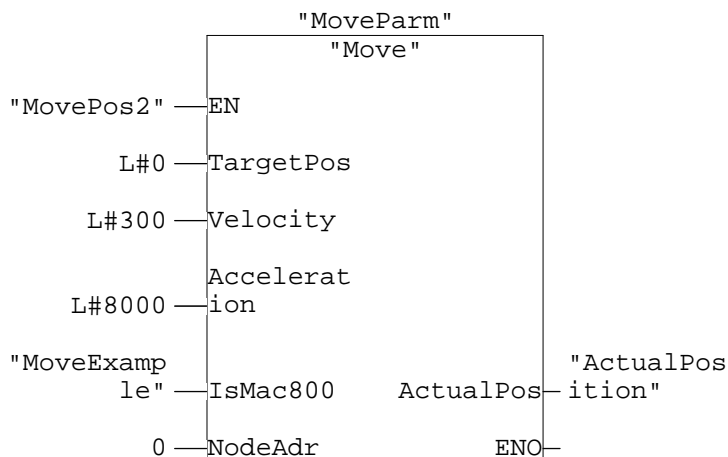


Informations mnémonique

FB60	Move	Move command
DB60	MoveParm	
M0.5	MovePos1	Demo position 1
M90.4	MoveExample	32 bit command handling
MD144	ActualPosition	Servo actual position

Réseau : 7 Move2 positioning example

Read for detail in MAC drives for Profibus control



Informations mnémonique

FB60	Move	Move command
DB60	MoveParm	
M0.6	MovePos2	Demo position 2
M90.4	MoveExample	32 bit command handling
MD144	ActualPosition	Servo actual position

Réseau : 8	End of examples
------------	-----------------

Call to common functions

```
CC    "common"  FB68          -- Comon I/O handling
CC    "fault"   FB69          -- Error monitoring, and indication
```

```
BE
```