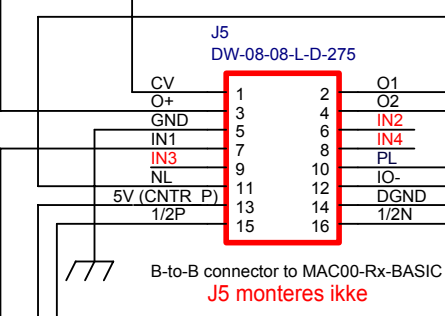
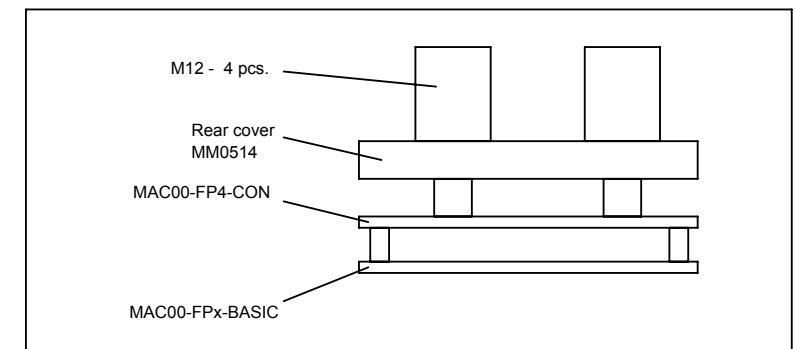
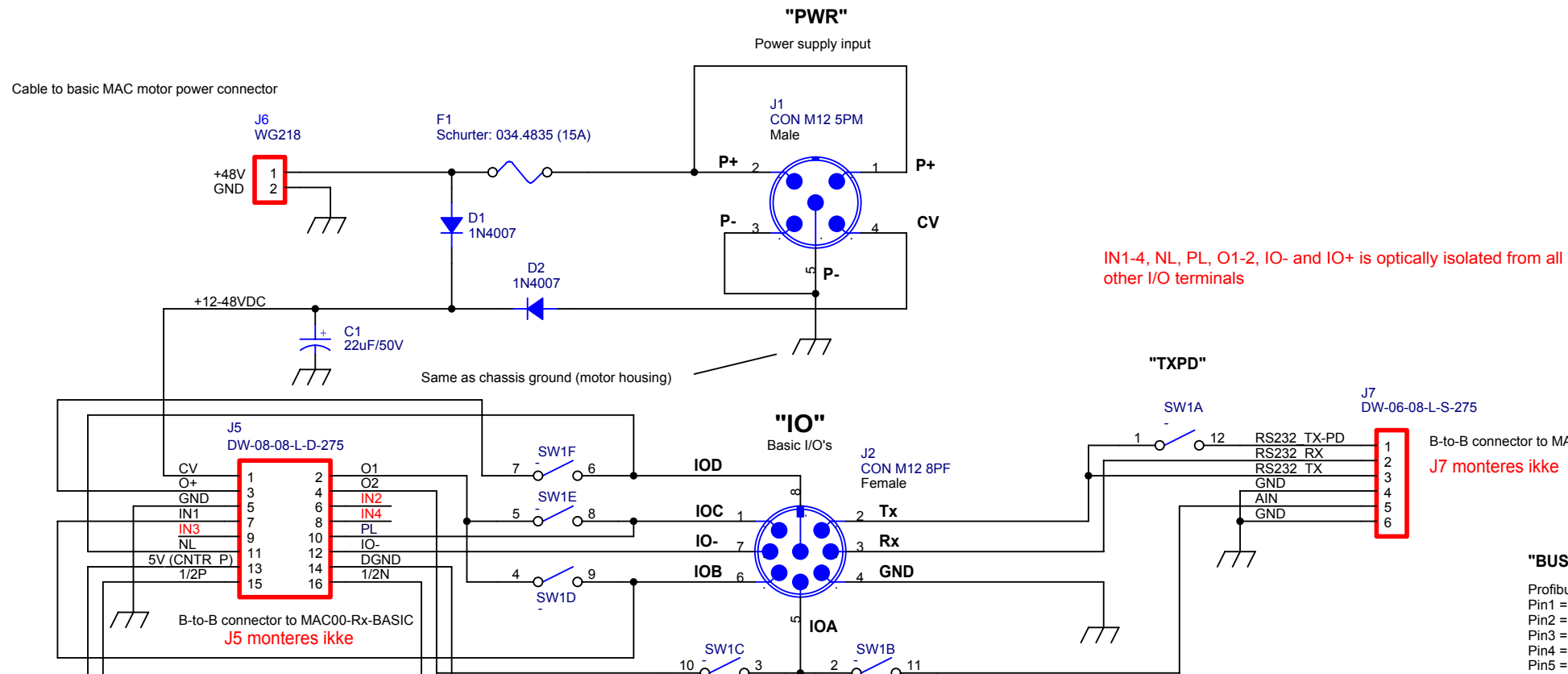
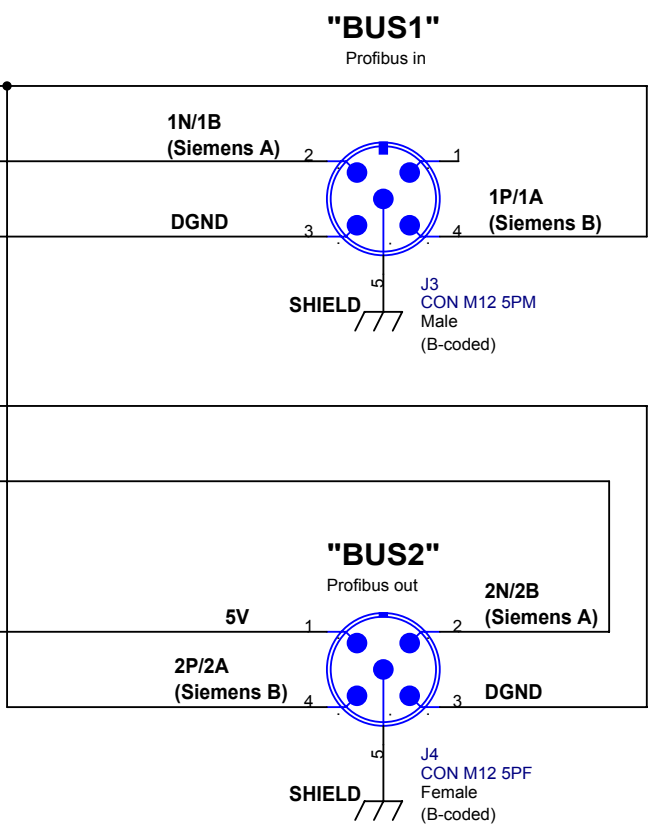
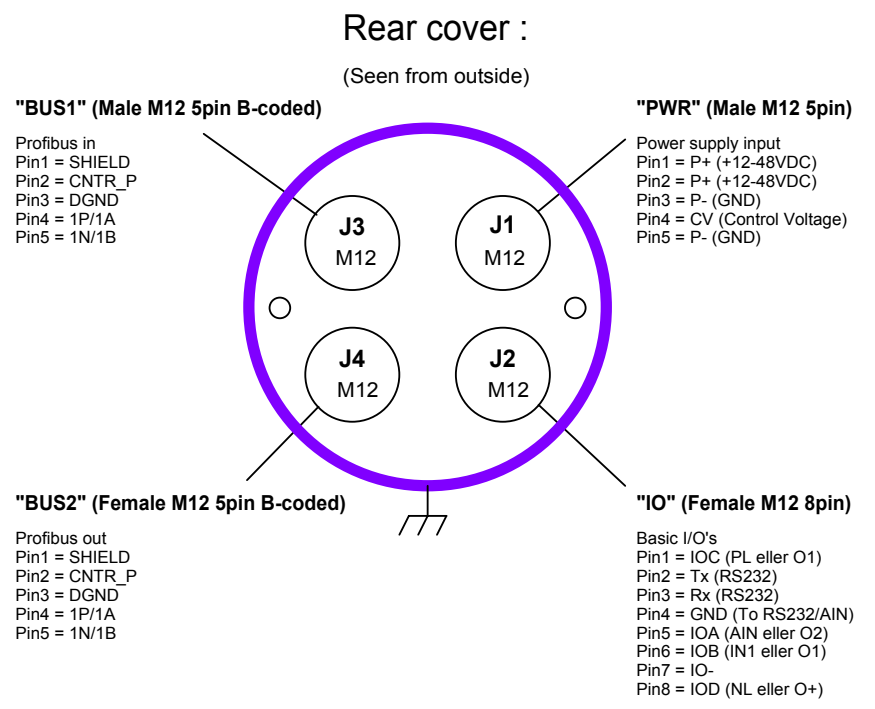
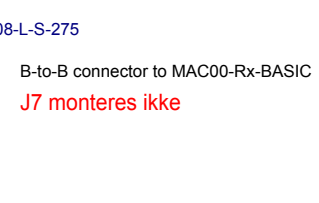


Connectorboard for MAC00-FPx-BASIC which assembled is named MAC00-FP4

MAC00-FP4-CON
PCB type PB0084-10



IN2, 3, 4 er ikke anvendt



Benyttede ref. numre :
J1-7
F1
SW1
D1-2

Title		
JVL Industri Elektronik A/S		
Size	Document Number	Rev
A3	Connectorboard type MAC00-FP4-CON	1.00
Date:	Tuesday, December 07, 2004	Sheet 1 of 1