

Product Replacement

New products with identical functionality will replace the following products:

Old Product			New Product	
Description	Part-No		Description	Part-No
PF01-23x50	0150-1901	→	PF02-23x50	0150-2102
PF01-23x120	0150-1902	→	PF02-23x120	0150-2103
PF01-23x50-F	0150-1971	→	PF02-23x50-F	0150-2604
PF01-23x120-F	0150-1972	→	PF02-23x120-F	0150-2605

The new products provide the following improvements:

- Mass reduction by 12%
- Black anodized surface will improve heat dissipation
- T-rails may be used also with connector type motors
- Additional T-rails for mounting of accessories
- Mounting possibilities for additional fan (fan kit: HV01-23, Part-No: 0150-5050)



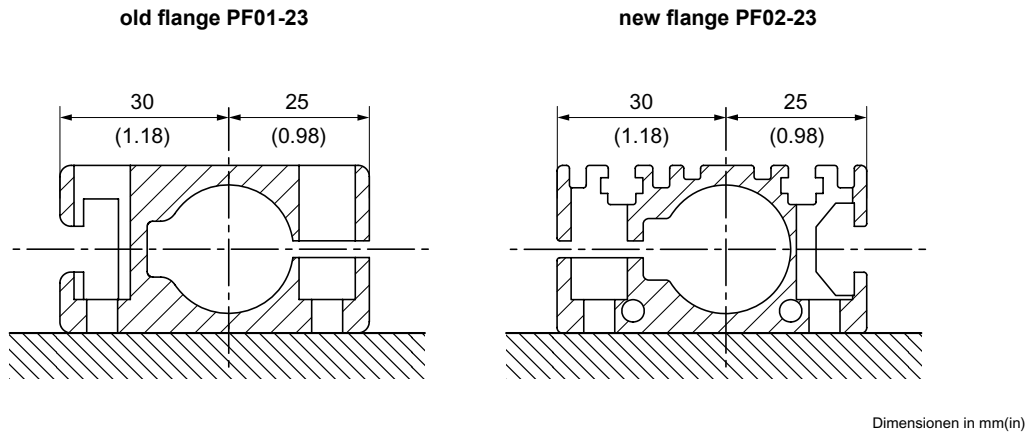
Old Flanges New Flanges
 PF01-23x50 PF01-23x120 PF02-23x50 PF02-23x120

CAD Files (DXF und STEP) may be downloaded from www.LinMot.com

Compatibility between new flanges PF02-23 and old flanges PF01-23

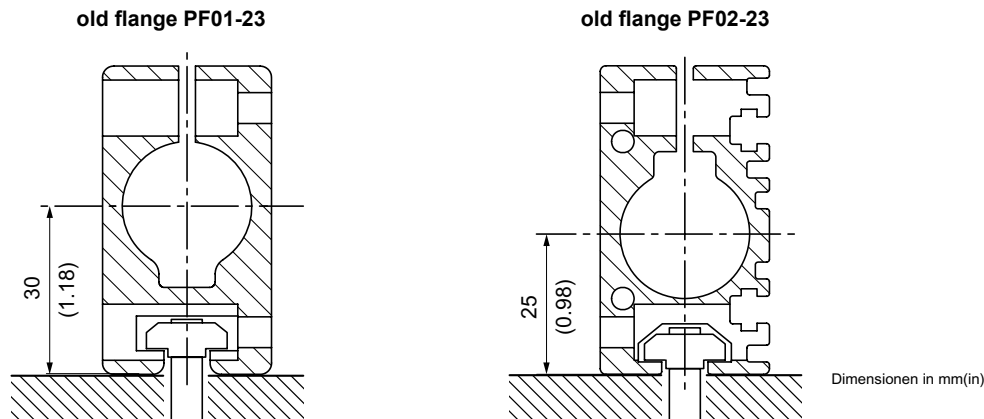
All outer dimension and locations of the mounting screws are identical to the former flanges of the series PF01-23. In order to use the T-rail on the narrow flange side also with connector type motors, the T-rail on the new P02-23 flanges is on the opposite side.

If the flange is mounted with mounting screws on the broad side, the motor position is identically for the new flanges PF02-23 and the old flanges PF02-23:



Attention:

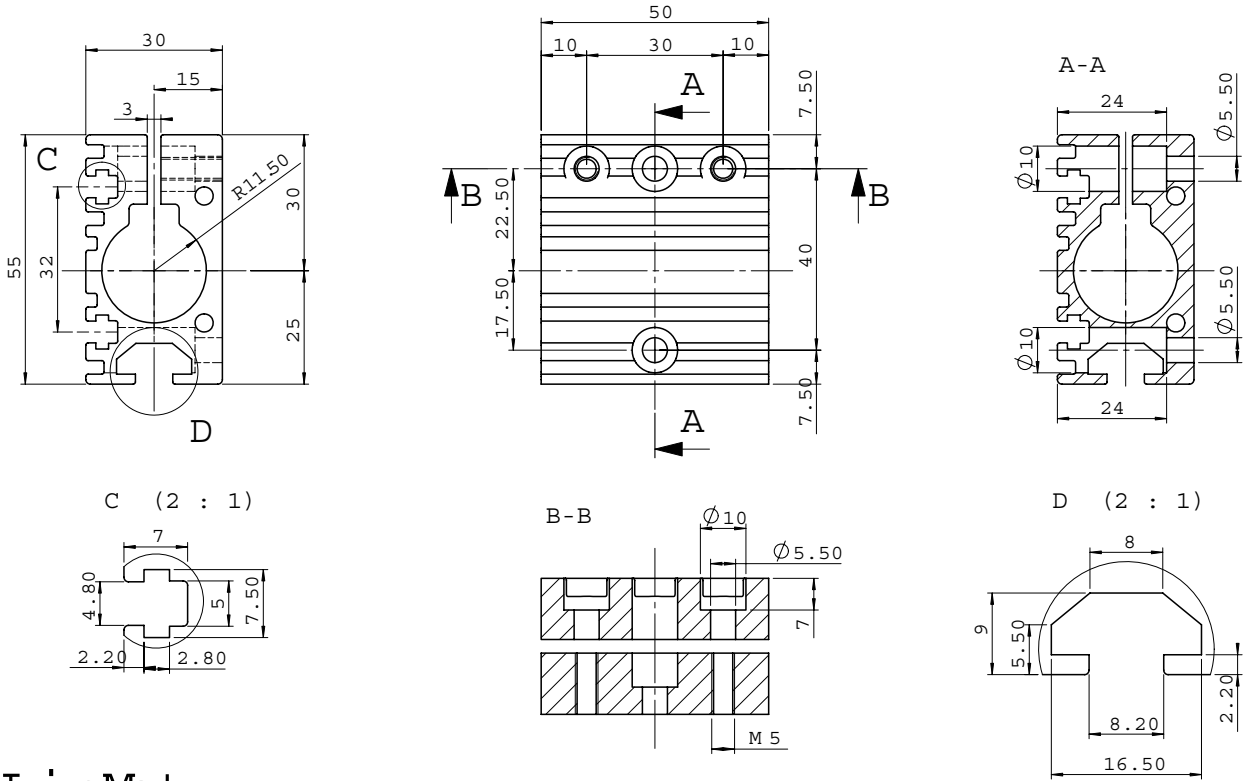
If the new flange PF02-23 is mounted with the T-rail on the narrow flange side, the motor position will be 5mm lower than with the old flange PF01-23 and the stator is rotated by 180° along his axes (cable outlet on the upper side):



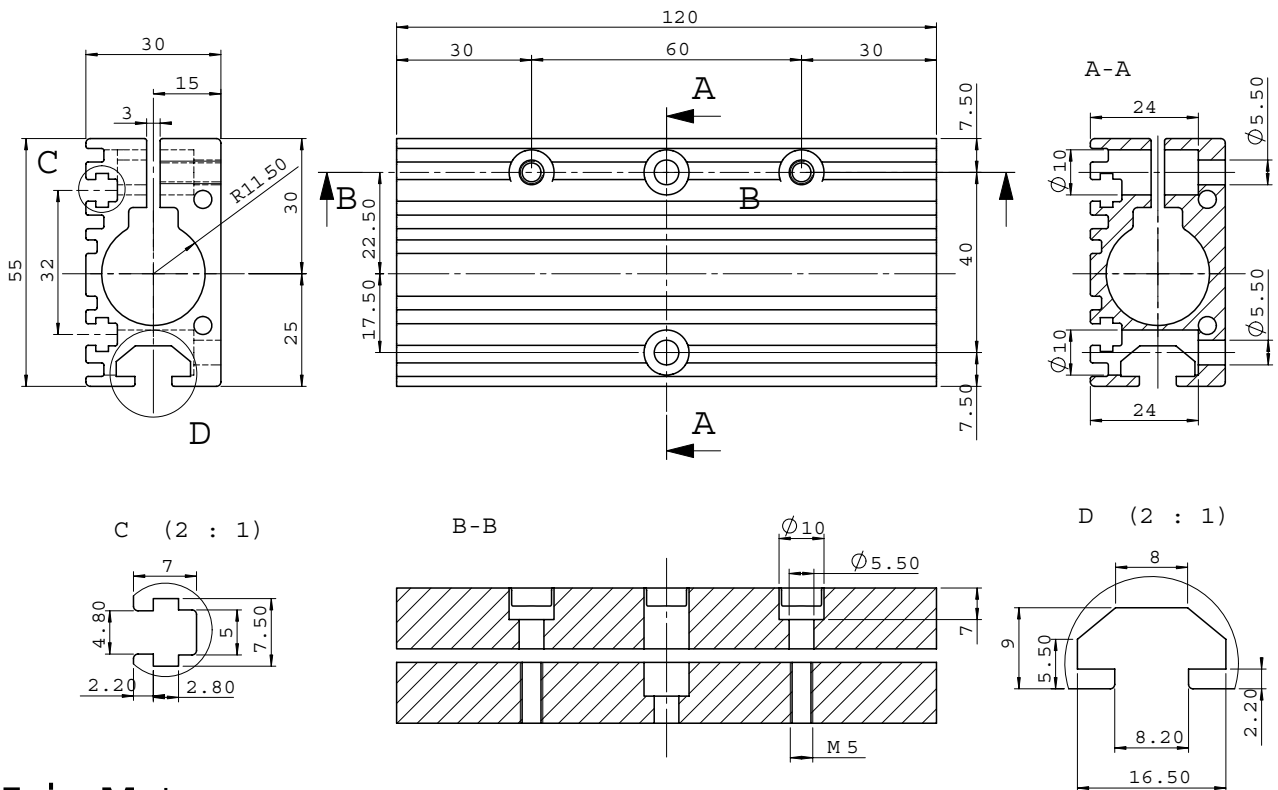
Please Note:

In new designs only the new flanges PF02-23 should be used. In existing designs where the flange is mounted with screws on the broad flange side, only the new flanges PF02-23 should be ordered from now. Only in existing designs where the old flange PF01-23 was mounted with the T-rail on the narrow flange side, the old flange PF01-23 must still be used.

From October 1st. 2006, only new Flanges PF02-23 will be shipped (also if P01-23x80 flanges are ordered). Old flanges PF01-23 will only be shipped if the additional text „for PF01-23 T-rail mounting“ is indicated on the order.



LinMot
PF02-23x50



LinMot
PF02-23x120

Contact

NTI AG

LinMot
Haerdlistrasse 15
CH-8957 Spreitenbach
Switzerland

Tel. +41 (0)56 419 91 91
Fax. +41 (0)56 419 91 92
email: office@LinMot.com
Web: www.LinMot.com

LinMot Inc.

N2444 Broad Street
Delavan
WI 53115
USA

Phone +1-877-546-3270 or 262-728-2699
Fax: +1-800-463-8708 or 262-740-0141
email: officeUS@LinMot.com
Web: www.LinMot.com