

Product Replacement

The following products will be replaced by products that are identical in function and dimensions:

Old Product			New Product	
Description	Part-No		Description	Part-No
PF01-37x100	0150-1903	→	PF02-37x100	0150-1998
PF01-37x200	0150-1904	→	PF02-37x200	0150-1999
PF01-37x100-F	0150-1973	→	PF02-37x100-F	0150-2602
PF01-37x200-F	0150-1974	→	PF02-37x200-F	0150-2603

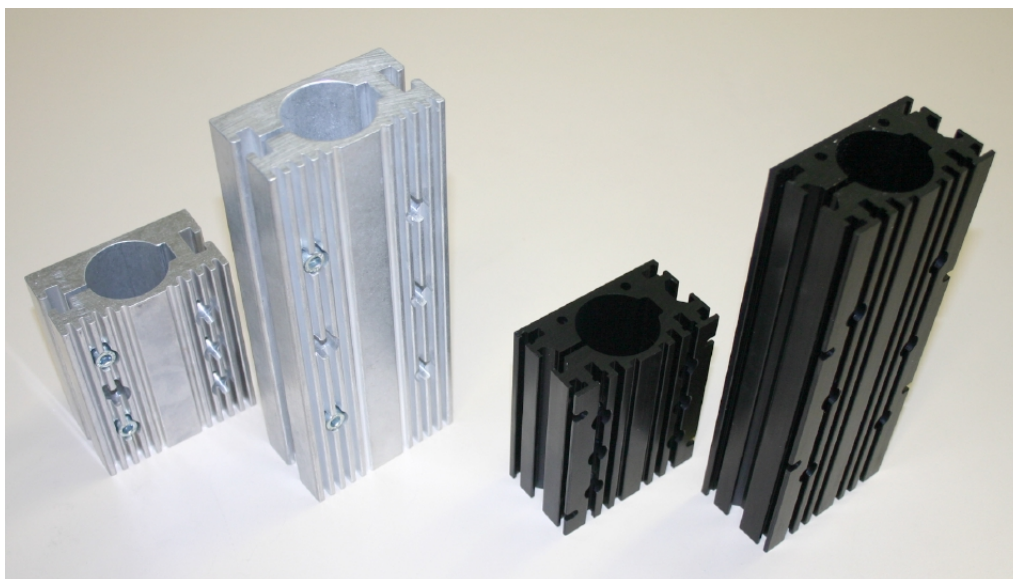
The new products provide the following improvements:

- Black anodized surface will improve heat dissipation
- Additional T-rails for mounting of accessories
- Mass reduction by 15 %
- All flanges are pre-drilled for Fan Mounting (Fan kit: HV01-37 / 0150-5051)

Notes

All outer dimension and locations of the mounting screws are identical to the former flanges of the series PF01-37.

CAD Files (DXF und STEP) can be downloaded from our webpage (www.LinMot.com/Download-CAD-Files)



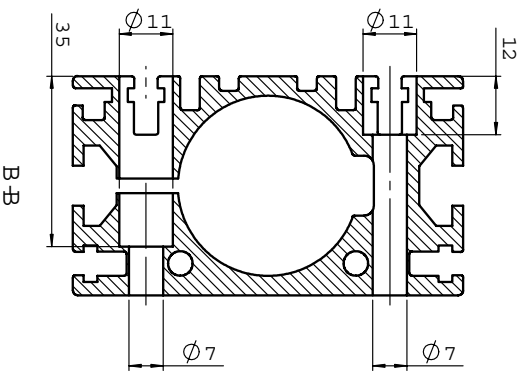
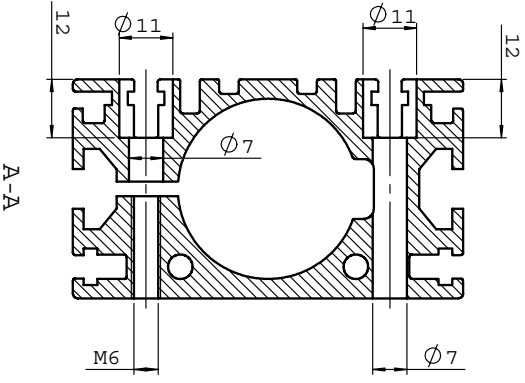
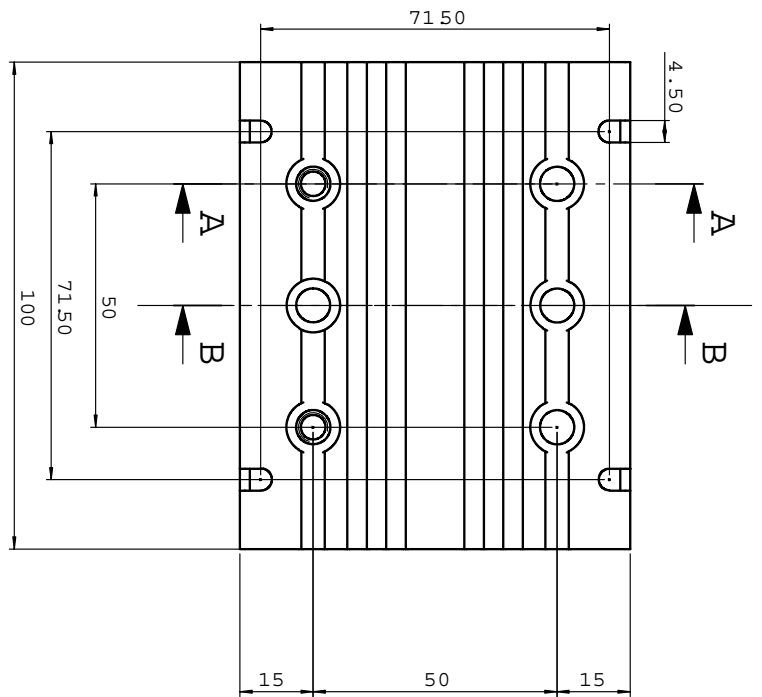
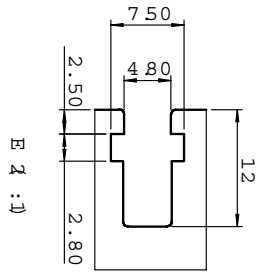
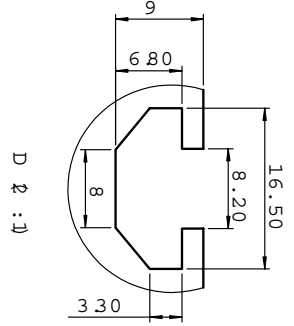
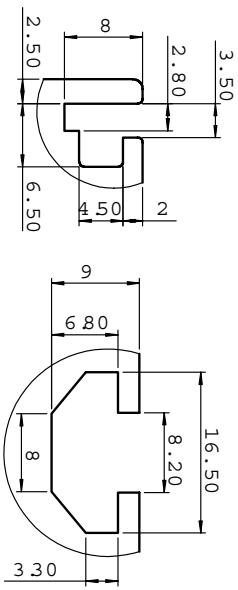
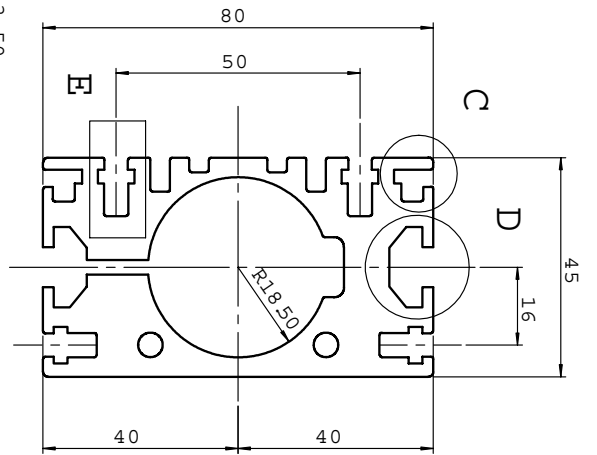
PF01-37x100

PF01-37x200

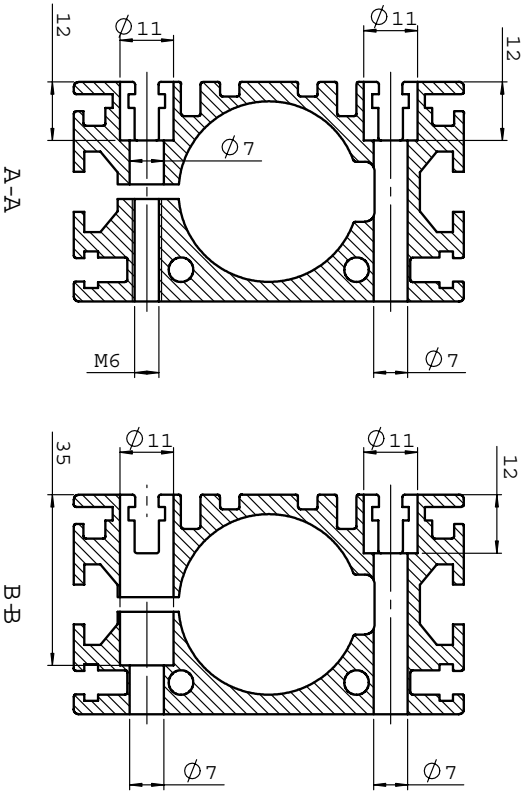
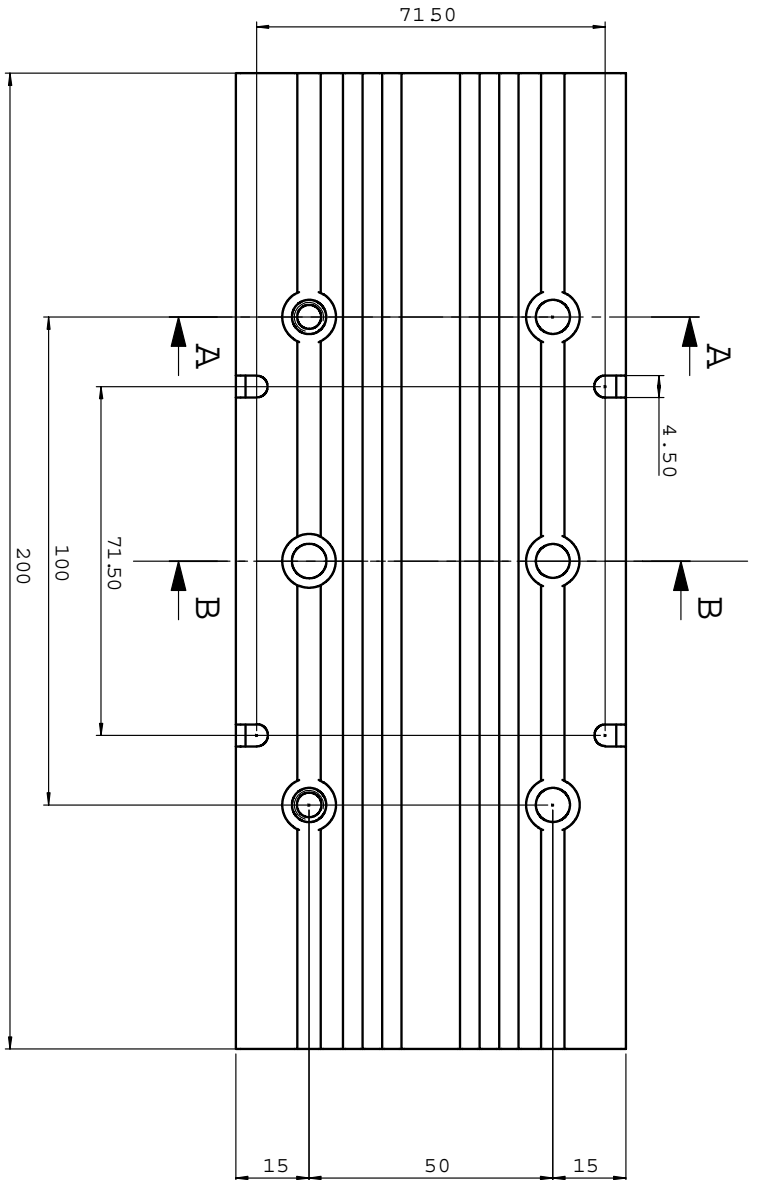
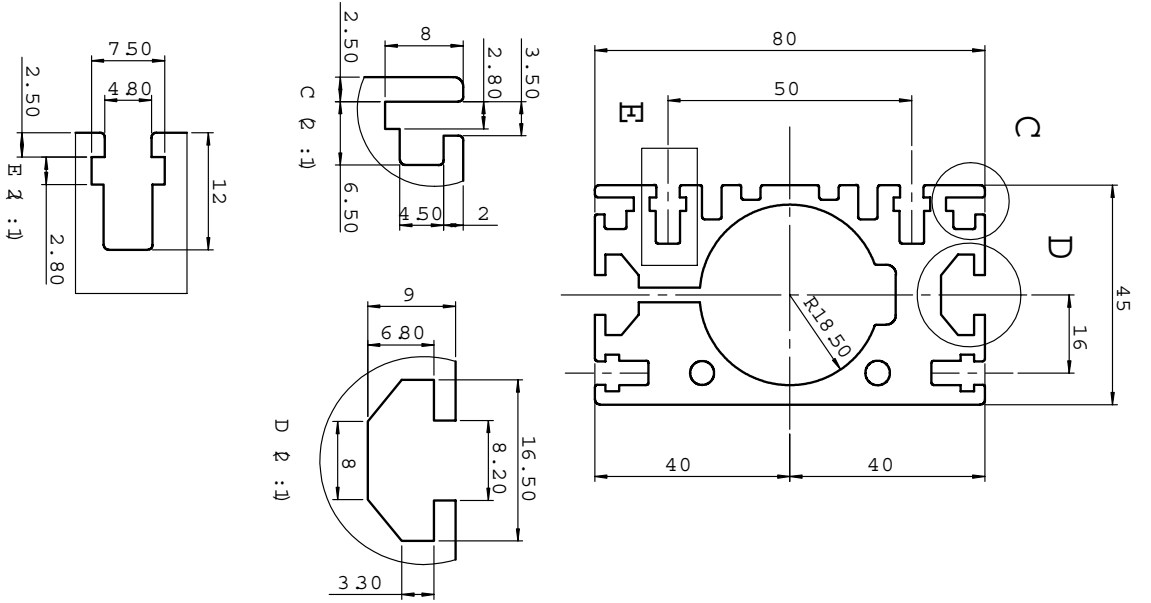
PF02-37x100

PF02-37x200

LinMot
PF02-37x100



LinMot
PH02-37x200



Contact Addresses

NTI AG

LinMot
Haerdlistrasse 15
CH-8957 Spreitenbach
Switzerland

Tel. +41 (0)56 419 91 91
Fax. +41 (0)56 419 91 92
email: office@LinMot.com
Web: www.LinMot.com

LinMot Inc.

N2444 Broad Street
Delavan
WI 53115
USA

Phone +1-877-546-3270 or 262-728-2699
Fax: +1-800-463-8708 or 262-740-0141
email: officeUS@LinMot.com
Web: www.LinMot.com