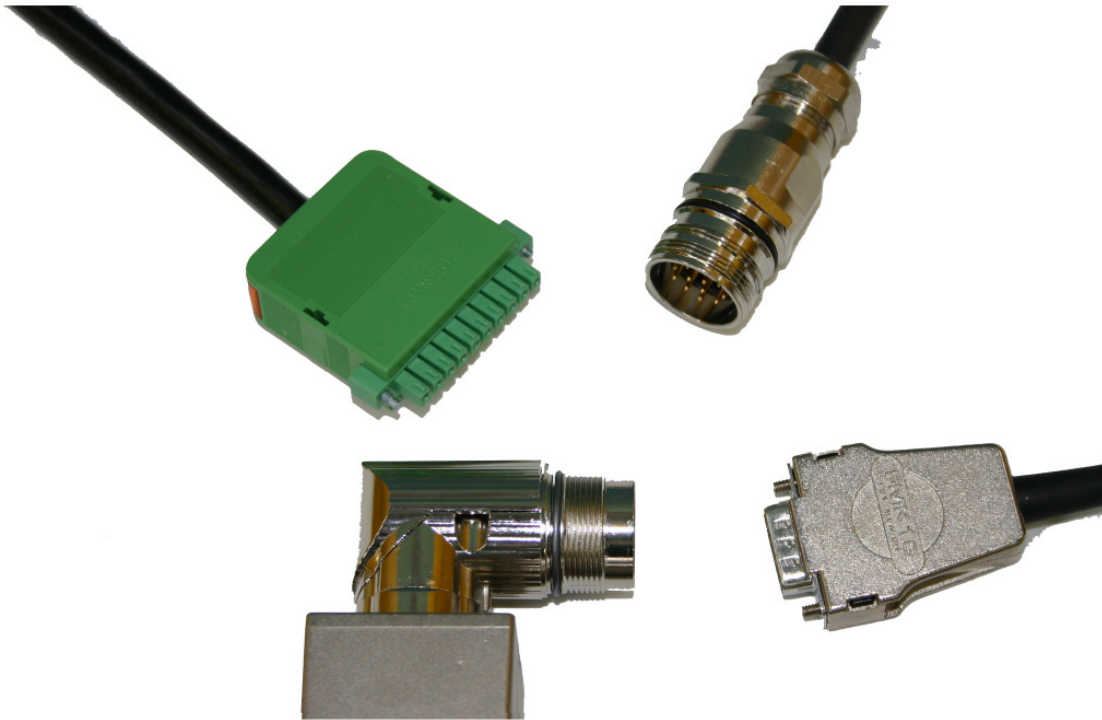


Installation Guide

Connectors and Extension cables

for *LinMot®* Linear Motors

Version 2.6



Content

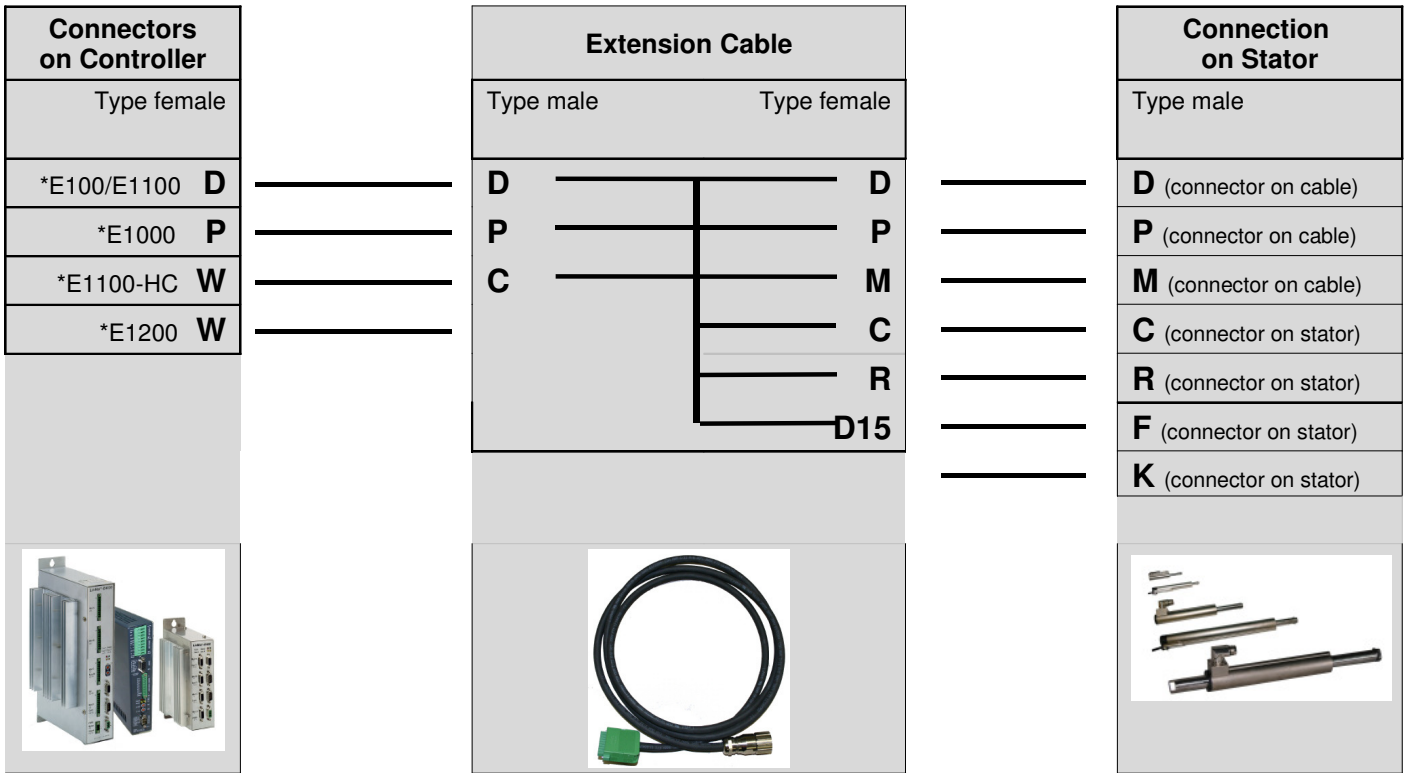
CAUTION	3
Definition of Extension Cables.....	4
Technical Data and Pin-out of Extension Cables.....	5
Recommended cables for Motor/Controller combinations.....	7
Connector Types.....	7
Water tight shrink Tube MCP01-18 for IP67 connections.....	10
Connectors and Cables attached directly to the LinMot Stators.....	11
Assembling Guide for C-Connectors "Female".....	13
Assembling Guide for R-Connectors (Female).....	14
Ordering Information	15
Ordering information for Cables per Meter.....	15
Ordering Information for Connectors.....	15
Ordering Information for custom length Cables.....	16
Ordering information for Extension and Adapter cables (from stock)	17
Contact Addresses.....	19

CAUTION

- Do not connect or disconnect motor when there is power on the controller. Switch the Signal and the Power Voltage of the controller off!
- Connecting the flat cable to the PS01-23Sx80 stator may most probably lead to shorts and damage motor and controller if done under power! Switch the Signal and the Power Voltage of the controller off!
- Wrong connections can damage controller and destroy stator!
- Double-check each connection!
- Check ('Hypot') self-made extension cables with high voltage (1500Vdc)
- Do not wrap motor cables attached to the stators over end of stator. Maintain minimum bending radius.
- The motor cable attached to the stator is NOT a high flex / trailing chain cable. For moving stator applications please use special LinMot *KS.* high flex / trailing chain extension cables.
- *LinMot KS.* high flex / trailing chain cables and also other high flex / trailing chain cables must be replaced in scheduled maintenance process in many applications.
- *LinMot KS.* high flex / trailing chain cables may be rolled at minimum specified radius and are NOT intended to be 'Twisted'.

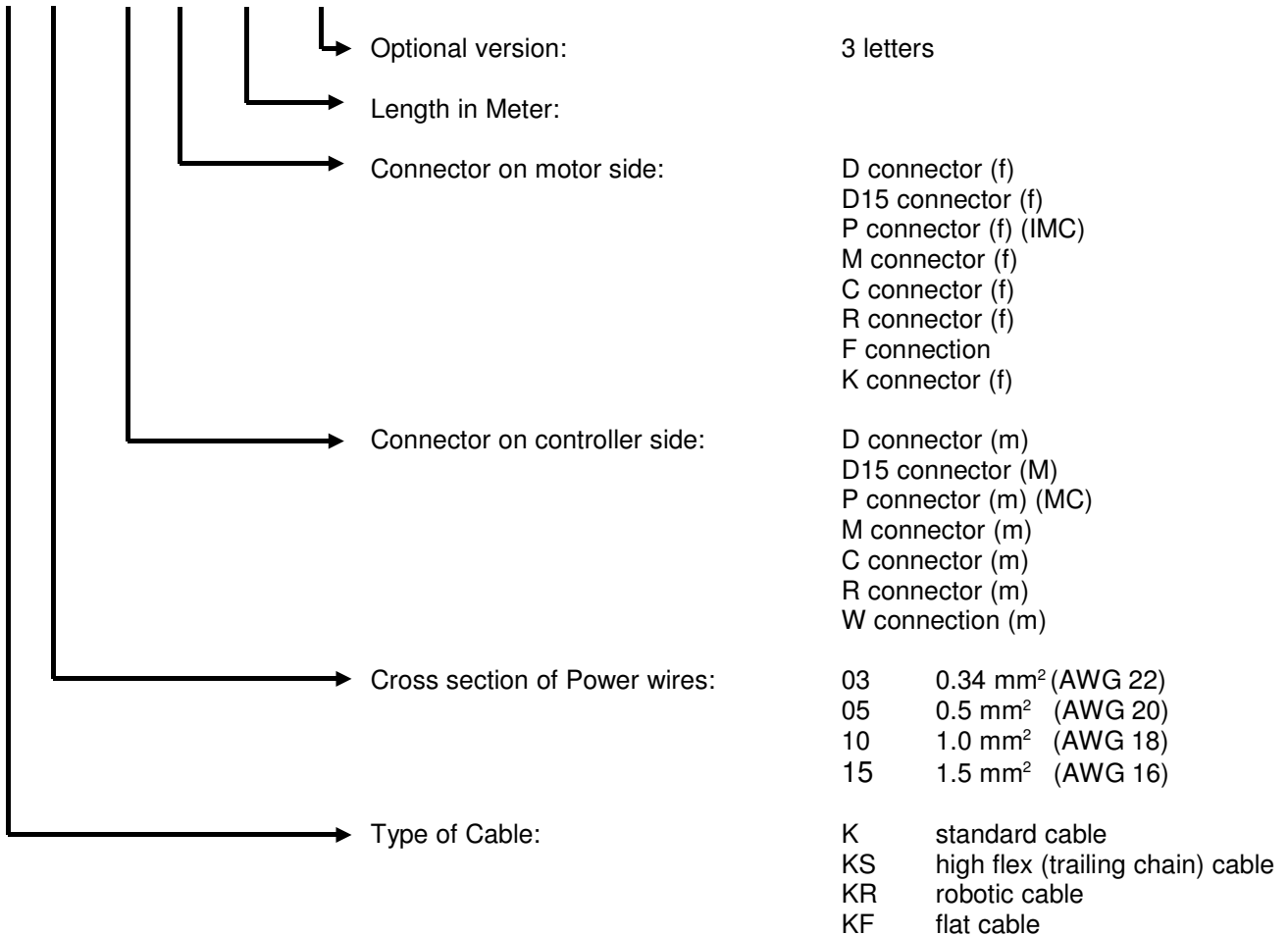


Definition of Extension Cables



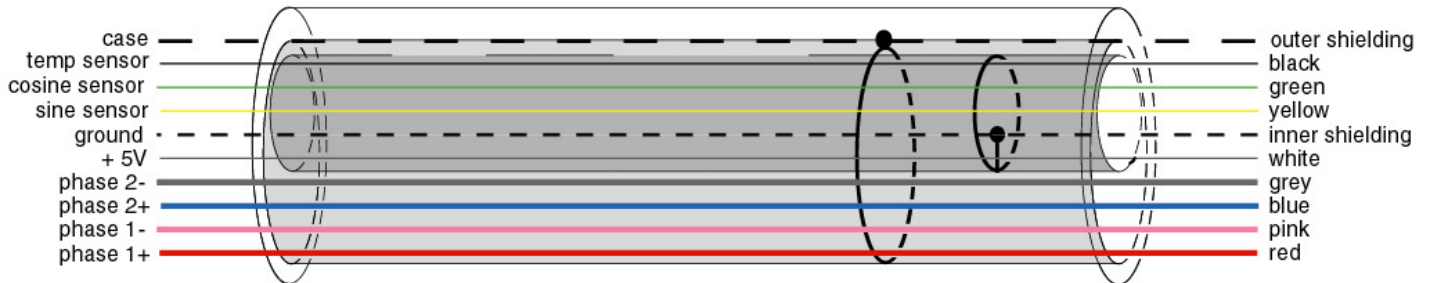
* Controller Series

K 15 – D / C – 4 – NTI



Technical Data and Pin-out of Extension Cables

All LinMot extension cables use same construction. Wire gauges and connector pin numbers may vary.



Cable Color	Assignment
red	Phase1+
pink	Phase1-
blue	Phase2+
grey	Phase2-
white	+5V
Inner shield*	GROUND*
yellow	Sensor Sine
green	Sensor Cosine
black	Temp. sensor
shield	CASE / SHIELD

***Do not connect Inner and Outer Shield of the Extension Cable together. Inner Shield is used as Ground!**

	Standard cable		High-Flex / trailing chain cable			Robotic cable Twisting and Random Robotic Flexing Motions	
Type	<i>K05-04/05</i>	<i>K15-04/05</i>	<i>KS03-09</i>	<i>KS05-04/05</i>	<i>KS10-04/05</i>	<i>KR05-04/05</i>	<i>KR10-04/05</i>
Cross section Power Lines	0.5 mm ² (AWG20)	1.5 mm ² (AWG16)	0.34mm ² (AWG22)	0.5 mm ² (AWG20)	1.0 mm ² (AWG18)	0.5 mm ² (AWG20)	1.0 mm ² (AWG18)
Cross section Signal Lines	0.14 mm ² (AWG26)		0.14 mm ² (AWG26)			0.14 mm ² (AWG26)	
Conductor Insulation	TPE-U		TPE-E			TPE-E	
Outer Jacket Material	PUR		PUR			PUR	
Color	black		black			black	
Outer Diameter	8.2 mm (0.31 in)	11.2 mm (0.44 in)	6.7mm	9.5 mm (0.37 in)	10.8 mm (0.42 in)	9.7 mm (0.38 in)	10.9 mm (0.43 in)
Weight	83 kg/km	180 kg/km	64kg/km	113 kg/km	139 kg/km	109 kg/km	136 kg/km
Approval	Each component meets UL requirement		UL / CSA 300V			UL / CSA 300V	
Minimum Bending Radius static	25 mm (1 in)	50 mm (2 in)	25 mm (1 in)	30 mm (1.2 in)	50 mm (2 in)	30 mm (1.2 in)	50 mm (2 in)
Minimum Bending Radius flexible	Standard cable is NOT Flex Cable		50 mm (2 in) may be 'rolled'_ <u>do not twist!</u>	60 mm (2.4 in) may be 'rolled'_ <u>do not twist!</u>	100 mm (4 in) may be 'rolled'_ <u>do not twist!</u>	Max angle of twist: +/- 270° per 0.5 m	
Temperature range	-40° to +80° C		-40° to +80° C			-40° to +80° C	

Recommended cables for Motor/Controller combinations

Motor Series	Controller Series				
	E100	E1000	E1100	E1100-HC	E1200
PS01-23Sx..K	--	--	KS03-09 K05-04/05 *	KS03-09 K05-04/05 *	KS03-09 K05-04/05 *
PS01-23x..	K05-04/05 KS05-04/05	K05-04/05 KS05-04/05	K05-04/05 KS05-04/05	K05-04/05 KS05-04/05	K05-04/05 KS05-04/05
PS01-37x..	K05-04/05 KS05-04/05	K05-04/05 KS05-04/05	K05-04/05 KS05-04/05	K05-04/05 KS05-04/05	K05-04/05 KS05-04/05
PS01-37x ..F	K05-04/05 KS05-04/05	K05-04/05 KS05-04/05	K05-04/05 KS05-04/05	K15-04/05 ** KS10-04/05	K15-04/05 ** KS10-04/05
PS01-48x..	--	K05-04/05 KS05-04/05	K05-04/05 KS05-04/05	K15-04/05 ** KS10-04/05	K15-04/05 ** KS10-04/05


* Extension cable. Use only in combination with KS03-09.

** extension cables with M-Connectors are limited to 1 mm² (AWG18) cross section.


Note: The use of a cable with bigger cross-section than recommended in the table is always possible but most often limited by connector attachment size.

Connector Types

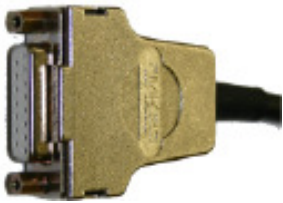
C-Connector

C-Connector male or female			Pin	Assignment	Wire color
			A	Phase1+	red
			B	Phase1-	pink
			C	Phase2+	blue
			D	Phase2-	grey
			E	+5V	white
			F	GROUND*	Inner shield
			G	Sensor Sine	yellow
Description	Part-No		H	Sensor Cosine	green
MC01-C/m	0150-3093	Male	L	Temp. sensor	black
MC01-C/f	0150-3080	Female	Case	SHIELD	Outer shield
C/m-connector assembled	0150-3099	Male			
C/f-connector assembled	0150-3146	Female			

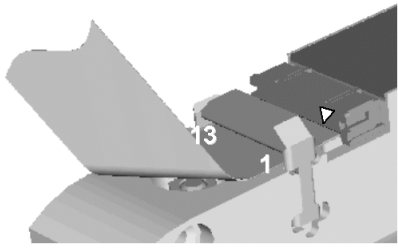
D-Connector

D-Sub 9 pole male or female			Pin	Assignment	Wire color
			1	Phase1+	red
			6	Phase1-	pink
			2	Phase2+	blue
			7	Phase2-	grey
			3	+5V	white
			8	GROUND*	Inner shield
			4	Sensor Sine	yellow
Description	Part-No		9	Sensor Cosine	green
MC01-D/m	0150-3024	Male	5	Temp. sensor	black
MC01-D/f	0150-3025	Female	case	SHIELD	Outer shield
D/m-connector assembled	0150-3055	Male			
D/f-connector assembled	0150-3142	Female			

D15-Connector

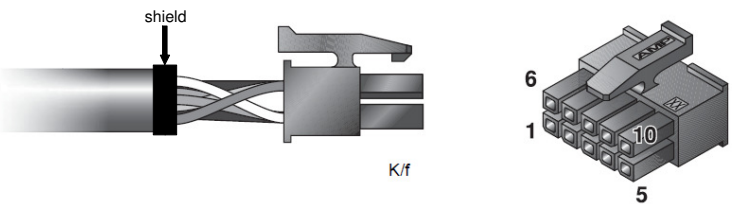
D-Sub 15 pole male or female			Pin	Assignment	Wire color
			7&15	Phase1+	red
			3&10	Phase1-	pink
			6&14	Phase2+	blue
			2&9	Phase2-	grey
			11	+5V	white
			12	GROUND*	Inner shield
			13	Sensor Sine	yellow
Description	Part-No		5	Sensor Cosine	green
MC01-D15/m	0150-3024	Male	4	Temp. sensor	black
MC01-D15/f	0150-3025	Female	case	SHIELD	Outer shield
D15/f-connector assembled	0150-3073	Female			

F-Connection

F-Connection			Pin	Assignment	Wire No
			1&2	Phase1+	1&2
			10&11	Phase1-	10&11
			3&4	Phase2+	3&4
			12&13	Phase2-	12&13
			9	+5V	9
			7	GROUND*	7
			5	Sensor Sine	5
			6	Sensor Cosine	6
Description	Part-No		8	Temp. sensor	8
ZIF-Line, 13 pin, pitch 1.25 mm	0160-1580	For print mounting	No shield	SHIELD	


Note: **Connecting the flat cable will most probably lead to shorts and damage motor and controller if done under power!**

K-Connection


K-Connection female			Pin	Assignment *	Wire color
			1	Phase1+	red
			2	Phase2+	blue
			3	NC	NC
			4	Phase1-	pink
			5	Phase2-	grey
			6	Sensor Sine	yellow
			7	Sensor Cosine	green
			8	GROUND*	brown
Description	Part-No		9	+5V	white
MC01-K/f	0150-3345	Female	10	Temp. sensor	black
K/f connector assembled	0150-3346	Female	Motorcase	SHIELD	shield

* KS03/09 – max. length: 6m


M-Connector

M-Connector male or female			Pin	Assignment	Wire color
			1	Phase1+	red
			2	Phase1-	pink
			3	Phase2+	blue
			4	Phase2-	grey
			5	+5V	white
			6	GROUND*	Inner shield
			7	Sensor Sine	yellow
Description	Part-No		8	Sensor Cosine	green
MC01-M/m	0150-3047	Male	9	Temp. sensor	black
MC01-M/f	0150-3046	Female	Case	SHIELD	Outer shield
M/m-connector assembled	0150-3057	Male			
M/f-connector assembled	0150-3145	Female			


P-Connector

P-Connector male or female			Pin	Assignment	Wire color
			1	Phase1+	red
			2	Phase1-	pink
			3	Phase2+	blue
			4	Phase2-	grey
			5	+5V	white
			6	GROUND*	Inner shield
			7	Sensor Sine	yellow
Description	Part-No		8	Sensor Cosine	green
MC01-P/m	0150-3020	Male (MC)	9	Temp. sensor	black
MC01-P/f	0150-3021	Female (IMC)	10	SHIELD	Outer shield
P/m-connector assembled	0150-3056	Male (MC)			
P/f-connector assembled	0150-3144	Female (IMC)			

R-Connector

R-Connector male or female			Pin	Assignment	Wire color
			1	Phase1+	red
			2	Phase1-	pink
			3	Phase2+	blue
			4 (-)	Phase2-	grey
			A	+5V	white
			B	GROUND*	Inner shield
			C	Sensor Sine	yellow
Description	Part-No		D	Sensor Cosine	green
MC01-R/m	0150-3130	Male	E	Temp. sensor	black
MC01-R/f	0150-3129	Female	Case	SHIELD	Outer shield
R/m-connector assembled	0150-3097	Male			
R/f-connector assembled	0150-3143	Female			

W-Connection

W-Connection			Pin	Assignment	Wire color
			Red wire	Phase1+	red
			Pink wire	Phase1-	pink
			Blue wire	Phase2+	blue
			Grey wire	Phase2-	grey
			3	+5V	white
			8	GROUND*	Inner Shield
			4	Sensor Sine	yellow
Description	Part-No		9	Sensor Cosine	green
MC01-W/m	0150-3140	Kit with Dsub 9 pole male, special shrink tube, ...	5	Temp. sensor	black
W/m-connector assembled	0150-3147		Male	Shield	SHIELD

Note: connection consists of a 9 pole Dsub for Sensor Signals and 5 separate wires (power and shield)


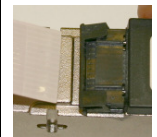




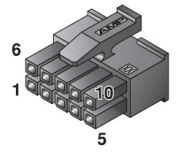
Water tight shrink Tube MCP01-18 for IP67 connections

The special shrink tube MCP01-18 is a heat shrink tube with heat activated sealant which is used to increase the resistant to water infiltration.

Material: Polyolefin
Part-No: 0150-3089



Connectors and Cables attached *directly* to the LinMot Stators

Connector Type	D-Sub 9 pole		Flat cable	D-Sub 15 pole ZIF-Line AMP, 13 pin, pitch 1.27 mm		Phoenix Connector		M-Connector		C-Connector	R-Connector	K-Connector	
Stators	PS01-23x80 PS01-23x160		PS01-23Sx80	Adapter cable to flat cable for PS01-23Sx80		PS01-37x120 PS01-37x240		PS01-23x..-M PS01-37x..-M		PS01-37x120-C PS01-37x240-C PS01-48x240-C	POS1-23x80-R PS01-23x160-R	PS02-23Sx80F-HP	
	PIN	Wire	PIN & Wire	PIN	Wire	PIN	Wire	PIN	Wire	PIN	PIN	PIN	Wire
Phase1+	1	red	1&2	7&15	red	1	red	1	red	A	1	1	red
Phase1-	6	pink	10&11	3&10	pink	2	pink	2	pink	B	2	2	blue
Phase2+	2	blue	3&4	6&14	blue	3	blue	3	blue	C	3	3	n.c
Phase2-	7	grey	12&13	2&9	grey	4	grey	4	grey	D	4 (-)	4	pink
+5V	3	white	9	11	white	5	white	5	white	E	A	5	grey
GROUND	8	brown*	7	12	Inner shield	6	Brown*	6	brown*	F	B	6	yellow
Sensor Sine	4	yellow	5	13	yellow	7	yellow	7	yellow	G	C	7	green
Sensor Cosine	9	green	6	5	green	8	green	8	green	H	D	8	brown
Temp. Sensor	5	black	8	4	black	9	black	9	black	L	E	9	white
SHIELD* of stator and stator cable	Case	shield	No shield	Case	Outer shield	10	Inner & outer shield	Case	Inner & outer shield	Case	Case	10	black
Connector on the stators (-cables)				Pin 1 and 8 not connected									

***Note:**

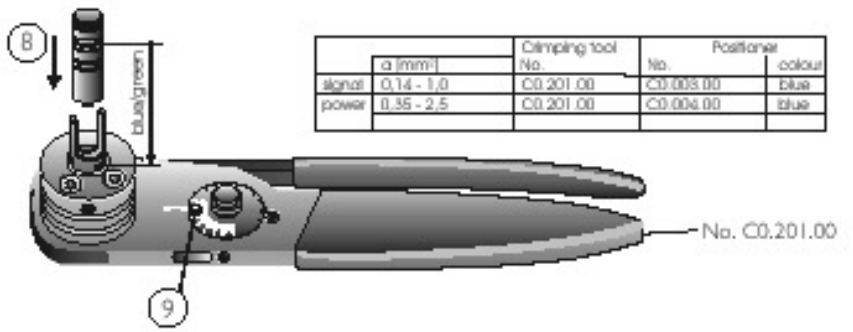
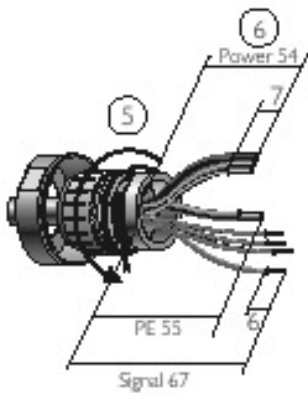
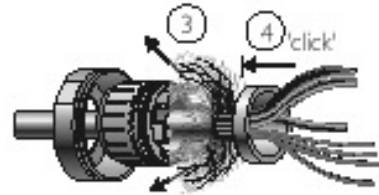
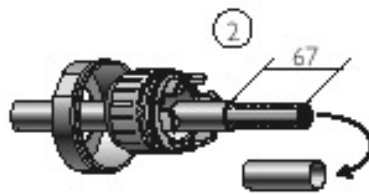
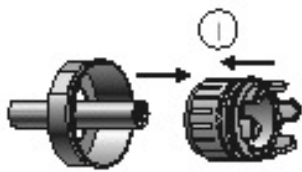
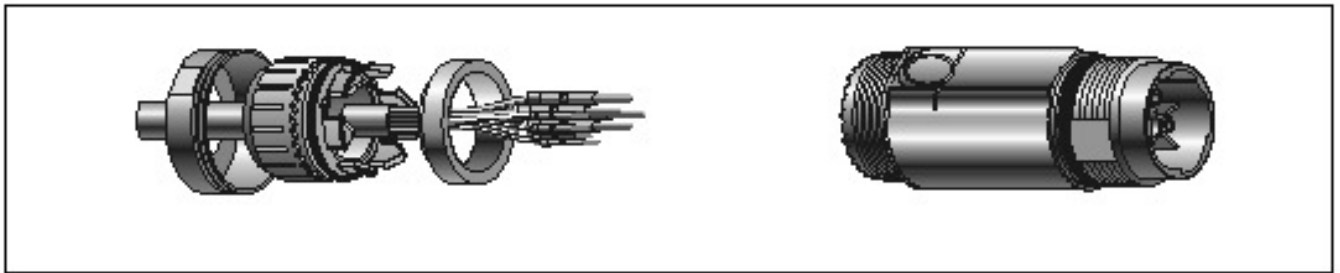
Above table shows Motor cables or connectors, which are attached directly to the stators. Extension Cables are double shielded and may be wired different to the motor cables! See chapter Extension Cables. The two shields of the Extension Cables must not be connected together: The inner shield of the Extension Cables is used as GROUND and must be connected to GROUND*, only the outer shield may be connected to SHIELD* of the connectors.

Caution:

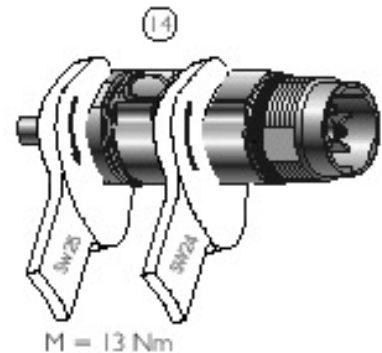
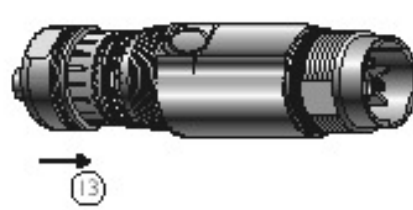
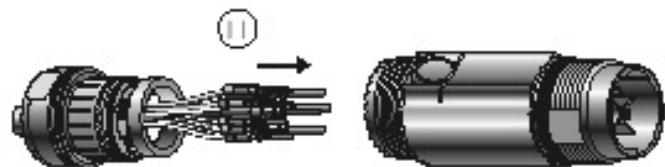
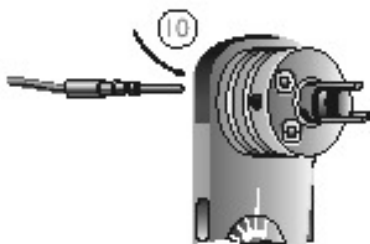
- Do not connect or disconnect motor when there is power on the controller.
- Double-check each connection! Wrong connections can destroy controller and stator.



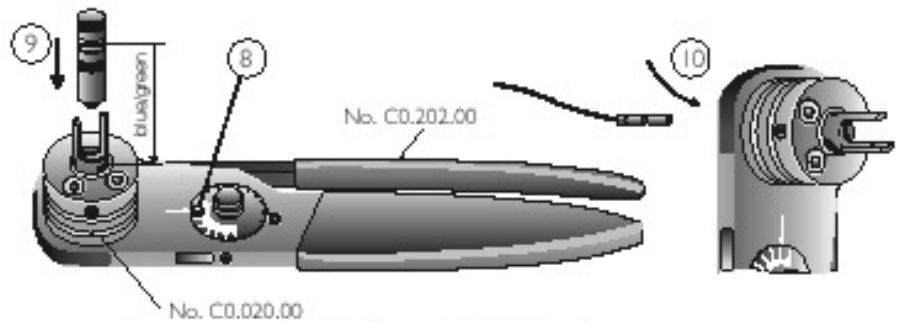
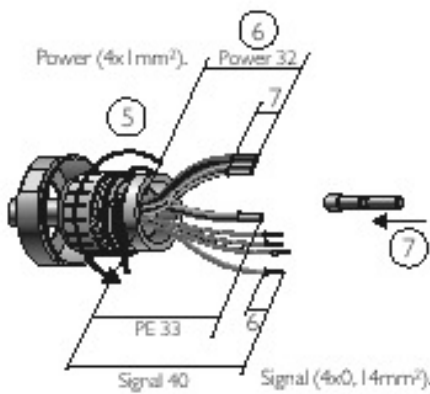
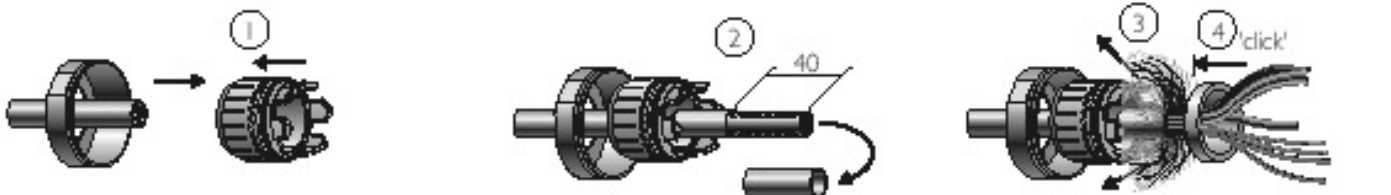
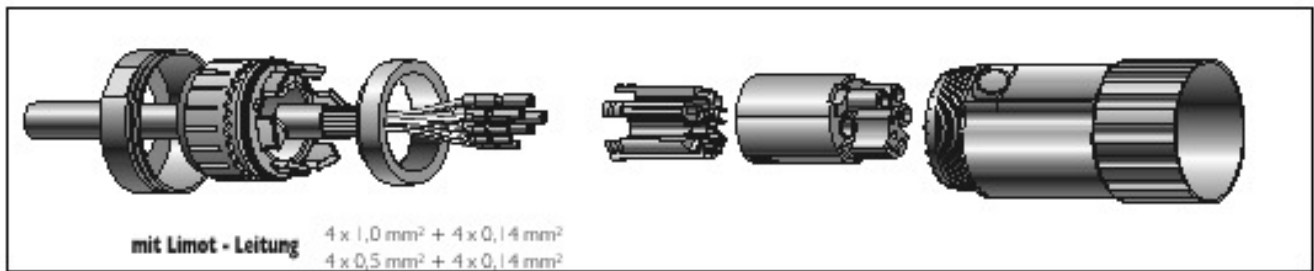
Assembling Guide for C-Connectors “Male”



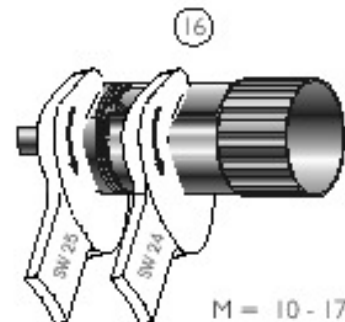
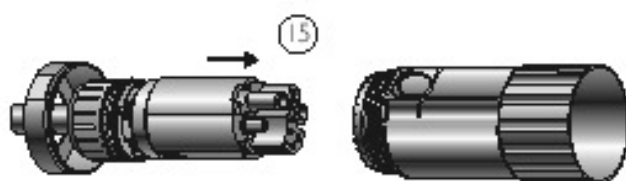
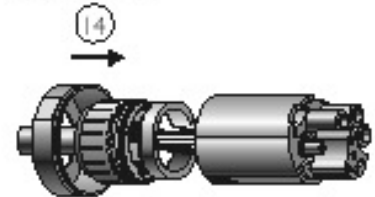
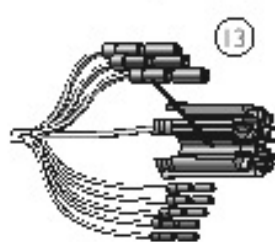
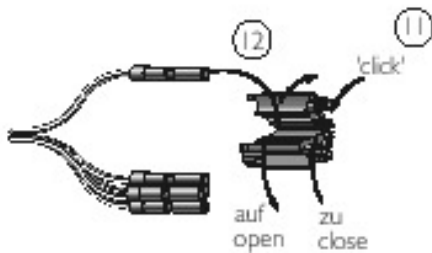
a (mm)	Clamping tool No.	Positioner No.	colour
signal	C0.201.00	C0.003.00	Blue
power	C0.201.00	C0.004.00	Blue



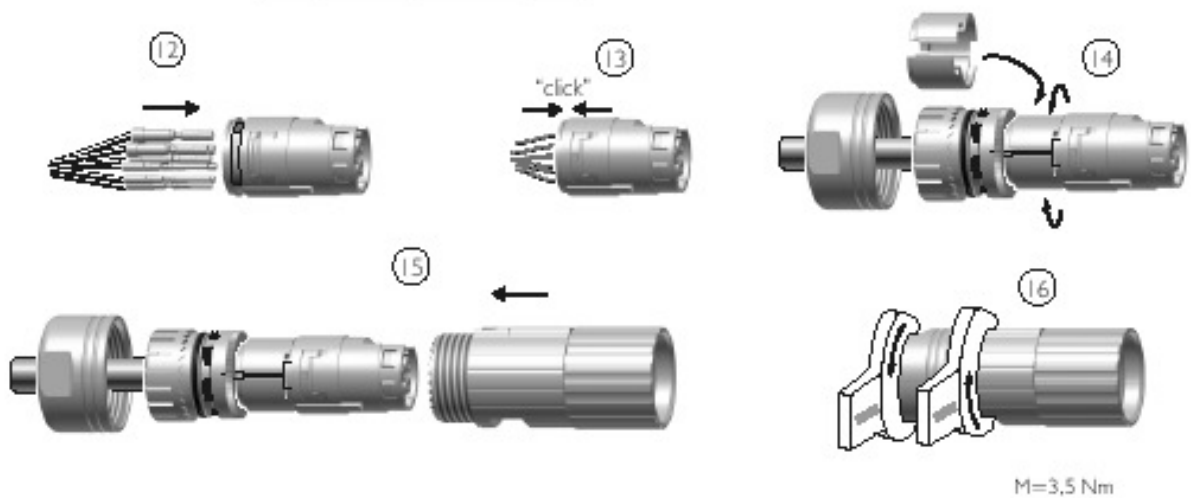
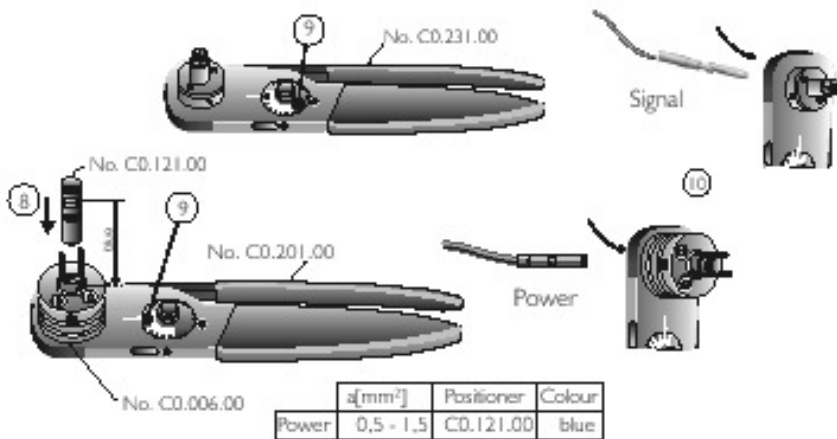
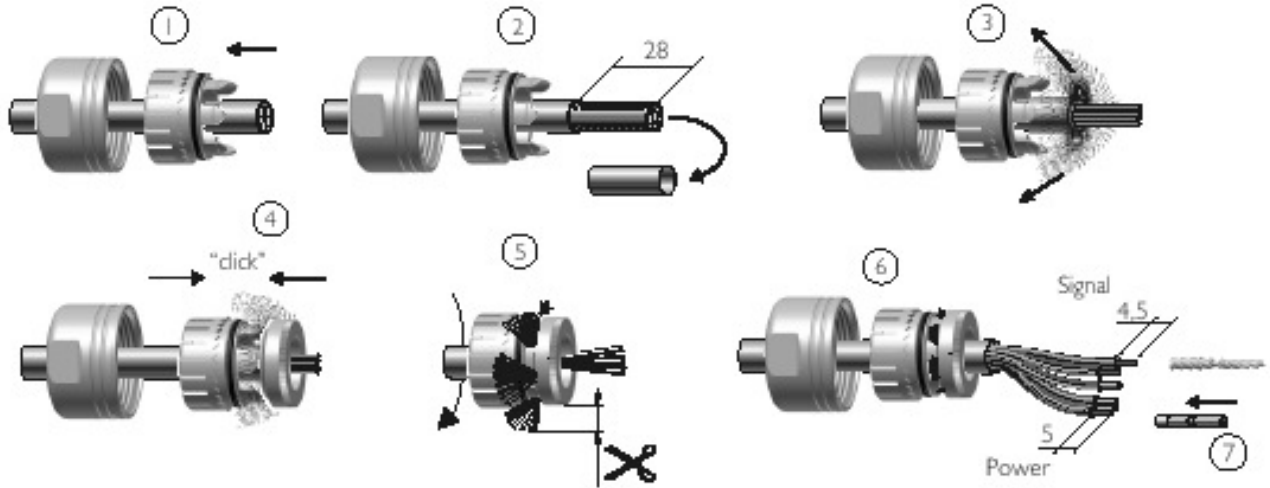
Assembling Guide for C-Connectors “Female”



	a (mm ²)	orange to 01		gold to 02	
		No.	crimp set ring	No.	colour
Signal	0,14	01.201.00	1	01.903.00	green
Power	0,5	01.201.00	5	01.904.00	blue
	1,0	01.201.00	6	01.904.00	blue



Assembling Guide for R-Connectors (Female)



Ordering Information

Ordering information for Cables per Meter

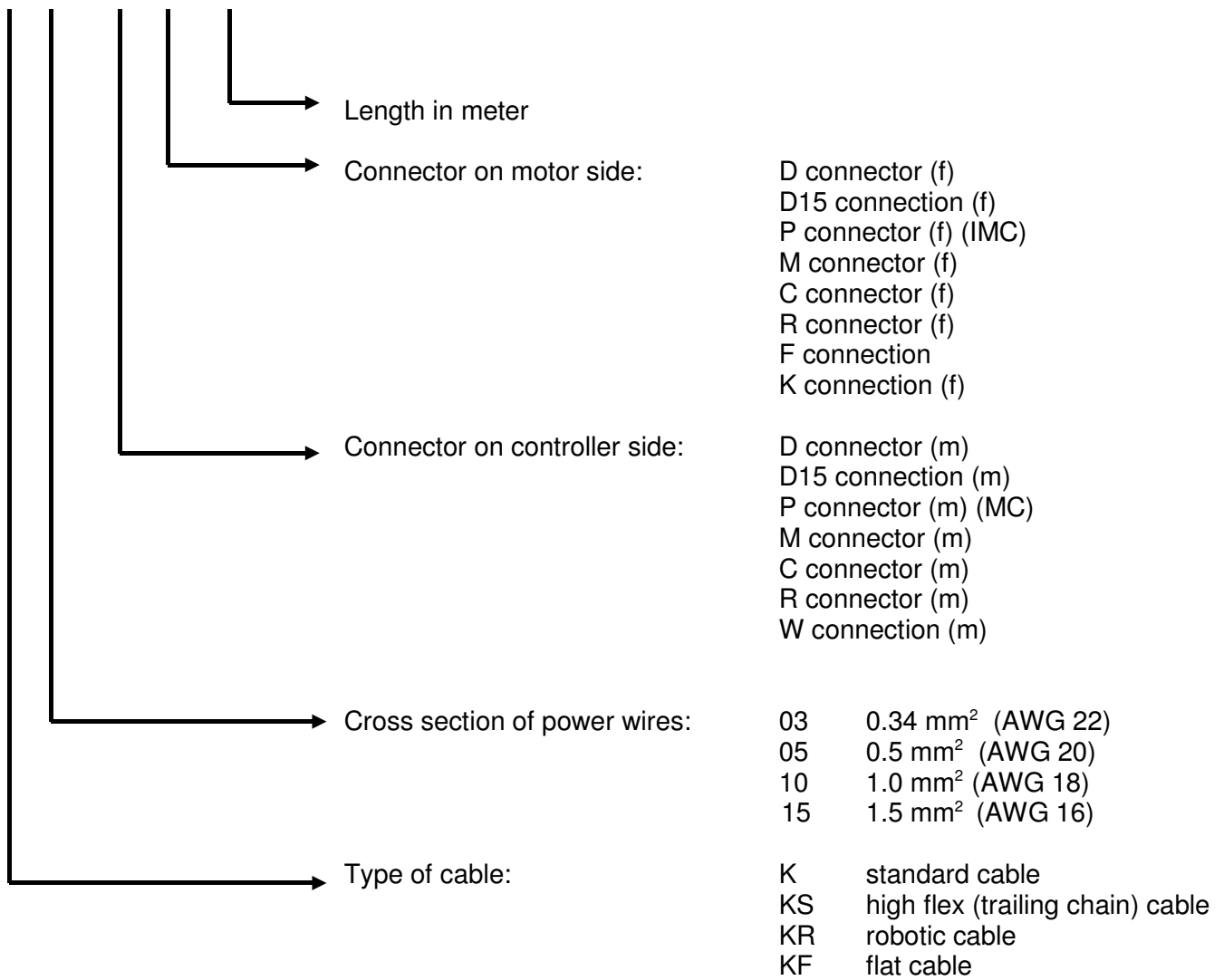
Description	Old description	Part- No	Note
K05-04/05	K01-04/05	0150-1920	0.5 mm ² standard cable per meter
K05-04/05-50	K01-04/05-50	0150-1956	0.5 mm ² standard cable on 50 m roll
K05-04/05-100	K01-04/05-100	0150-1957	0.5 mm ² standard cable on 100 m roll
K05-04/05-200	K01-04/05-200	0150-1958	0.5 mm ² standard cable on 200 m roll
K15-04/05		0150-1978	1.5 mm ² standard cable per meter
K15-04/05 -100		0150-1969	1.5 mm ² standard cable on 100 m roll
KS03-09		0150-2182	0.34 mm ² standard cable per meter
KS05-04/05	KS02-04/05	0150-1938	0.5 mm ² trailing chain cable per meter
KS05-04/05-100	KS02-04/05-100	0150-1959	0.5 mm ² trailing chain cable on 100 m roll
KS10-04/05		0150-1977	1.0 mm ² trailing chain cable per meter
KS10-04/05-100		0150-1968	1.0 mm ² trailing chain cable on 100 m roll
KR10-04/05		0150-1830	1.0 mm ² robotic cable per meter
KR10-04/05-100		0150-1831	1.0 mm ² robotic cable on 100 m roll

Ordering Information for Connectors

Type		Description	Old Description	Part-No	Note
C	Male	MC01-C/m		0150-3093	
	Female	MC01-C/f		0150-3080	
D	Male	MC01-D/m	MC01-23/E	0150-3024	
	Female	MC01-D/f	MC01-23/P	0150-3025	
D15	Male	MC01-D15/m		0150-3135	
	Female	MC01-D15/f		0150-3136	
M	Male	MC01-M/m		0150-3047	
	Female	MC01-M/f		0150-3046	Cable Ø<= 10 mm
		MC01-M/f/12		0150-3102	Cable Ø10-12 mm / 1mm ² max
P	Male	MC01-P/m	MC01-37/E	0150-3020	
	Female	MC01-P/f	MC01-37/P	0150-3021	
R	Male	MC01-R/m		0150-3130	
	Female	MC01-R/f		0150-3129	
W	Male	MC01-W/m		0150-3140	Kit (connector, shrink tube ..)
K	Female	MC01-K/f		0150-3345	

Ordering Information for custom length Cables

K 15 – D / C – 4



Description	Part- No	Note
MC01-C/m-as	0150-3099	C/m-connector assembled
MC01-C/f-as	0150-3146	C/f-connector assembled
MC01-D/m-as	0150-3055	D/m-connector assembled
MC01-D/f-as	0150-3142	D/f-connector assembled
MC01-D15/m-as	0150-3148	D15/m-connector assembled
MC01-D15/f-as	0150-3073	D15/f-connector assembled
MC01-M/m-as	0150-3057	M/m-connector assembled
MC01-M/f-as	0150-3145	M/f-connector assembled
MC01-P/m-as	0150-3056	P/m-connector assembled
MC01-P/f-as	0150-3144	P/f-connector assembled
MC01-R/m-as	0150-3097	R/m-connector assembled
MC01-R/f-as	0150-3143	R/f-connector assembled
MC01-W/m-as	0150-3147	W/m-connector assembled
MC01-K/f-as	0150-3346	K/f-connector assembled

Example for price calculation (details see price list) :

K 15 – D / C – 4	1 pc	MC01-D/m-as	D/m-connector (m) assembled
	1 pc	MC01-C/f-as	C/f-connector (f) assembled
	4 m	K15-04/05	cable per Meter

Ordering information for Extension and Adapter cables (from stock)

How to find a cable:

1. select cable Type (K (standard), KS (trailing chain) , KR (robotic cable), F (flat cable) (e.g. KS...)
2. select wire size (03, 05, 10, 15 mm²) (e.g. KS05....)
3. select connector type controller side (e.g. KS05-P....)
4. select connector type motor side (e.g. KS05-P/M...)
5. select cable length in meter (1 m = 39.37 in) → description of selected cable (e.g. KS05-P/M-2)

Article number	Description		Old description
0150-1920	K05-04/05	extension cable per m	old description: K01-04/05
0150-1957	K05-04/05-100	extension cable 100m roll	old description: K01-04/05-100
0150-1958	K05-04/05-200	extension cable 200m roll	old description: K01-04/05-200
0150-1956	K05-04/05-50	extension cable 50m roll	old description: K01-04/05-50
0150-1819	K05-D/C-2	extension cable D/C, 2 m	old description: K01-D/C-2
0150-1820	K05-D/C-4	extension cable D/C, 4 m	
0150-1821	K05-D/C-6	extension cable D/C, 6 m	
0150-1822	K05-D/C-8	extension cable D/C, 8 m	
0150-1910	K05-D/D-2	extension cable D/D, 2 m	old description: K01-23/02
0150-1936	K05-D/D15-1	adapter cable D/D15, 1m (for PS01-23Sx80)	old description: AC01-100/23-S
0150-1911	K05-D/D-4	extension cable D/D, 4 m	old description: K01-23/04
0150-1912	K05-D/D-6	extension cable D/D, 6 m	old description: K01-23/06
0150-1913	K05-D/D-8	extension cable D/D, 8 m	old description: K01-23/08
0150-1921	K05-D/P-0.25	adapter cable D/P, 0.25m	old description: AC01-100/37
0150-1949	K05-D/P-2	extension cable D/P, 2 m	old description: AC01-100/37-200
0150-1995	K05-D/P-4	extension cable D/P, 4 m	old description: AC01-100/37-400
0150-1994	K05-D/P-6	extension cable D/P, 6 m	old description: AC01-100/37-600
0150-1832	K05-D/R-2	extension cable D/R, 2 m	
0150-1833	K05-D/R-4	extension cable D/R, 4 m	
0150-1834	K05-D/R-6	extension cable D/R, 6 m	
0150-1835	K05-D/R-8	extension cable D/R, 8 m	
0150-1818	K05-P/C-2	extension cable P/C, 2 m	
0150-1804	K05-P/C-4	extension cable P/C, 4 m	
0150-1805	K05-P/C-6	extension cable P/C, 6 m	
0150-1806	K05-P/C-8	extension cable P/C, 8 m	
0150-1922	K05-P/D-0.4	adapter cable P/D, 0.4 m	old description: AC01-1000/23
0150-1915	K05-P/P-2	extension cable P/P, 2 m	old description: K01-37/02
0150-1916	K05-P/P-4	extension cable P/P, 4 m	old description: K01-37/04
0150-1917	K05-P/P-6	extension cable P/P, 6 m	old description: K01-37/06
0150-1918	K05-P/P-8	extension cable P/P, 8 m	old description: K01-37/08
0150-1947	K05-W/D-0.4	adapter cable W/D, 0.4 m	old description: AC01-1100/23
0150-1825	K05-W/M-4	extension cable W/M, 4 m	
0150-1948	K05-W/P-0.4	adapter cable W/P, 0.4 m	old description: AC01-1100/37
0150-2119	K05-W/R-2	extension cable W/C, 2 m	
0150-2120	K05-W/R-4	extension cable W/C, 4 m	

0150-2121	K05-W/R-6	extension cable W/C, 6 m	
0150-2122	K05-W/R-8	extension cable W/C, 8 m	
0150-2132	K05-W/R-10	extension cable W/C, 10 m	
0150-1978	K15-04/05	extension cable per m	
0150-1969	K15-04/05-100	extension cable, 100 m roll	
0150-1811	K15-W/C-2	extension cable W/C, 2 m	
0150-1801	K15-W/C-4	extension cable W/C, 4 m	
0150-1802	K15-W/C-6	extension cable W/C, 6 m	
0150-1803	K15-W/C-8	extension cable W/C, 8 m	
0150-1937	KF01-D15/F-0.7	flat cable 0.7m, for PS01-23Sx80	old description: KF01-13/70
0150-1830	KR10-04/05	robotic cable (per m)	
0150-1831	KR10-04/05-100	robotic cable, 100m roll	
0150-2182	KS03-09	trailing chain cable (per m)	max. cable length: 2m
0150-2187	KS03-W/K-2	trailing chain cable W/K, 2m	
0150-2185	KS03-R/K-1	trailing chain cable R/K, 1m	
0150-2186	KS03-R/K-2	trailing chain cable R/K, 2m	
0150-1959	KS05-04/05-100	trailing chain cable 100 m roll	
0150-1938	KS05-04/05	trailing chain cable (per m)	old description: KS02-04/05
0150-1827	KS05-C/C-2	trailing chain cable C/C, 2m	
0150-1828	KS05-C/C-4	trailing chain cable C/C, 4 m	
0150-1823	KS05-D/C-4	trailing chain cable D/C, 4 m	
0150-1824	KS05-D/C-8	trailing chain cable D/C, 8 m	
0150-1988	KS05-D/D-2	trailing chain cable D/D, 2 m	old description:KS02-23/02
0150-1989	KS05-D/D-4	trailing chain cable D/D, 4 m	old description: KS02-23/04
0150-1980	KS05-D/M-2	trailing chain cable D/M, 2 m	old description: : KS01-D/M-02
0150-1981	KS05-D/M-4	trailing chain cable D/M, 4 m	old description: KS01-D/M-04
0150-1812	KS05-D/M-6	trailing chain cable D/M, 6 m	old description: KS01-D/M-06
0150-1813	KS05-D/M-8	trailing chain cable D/M, 8 m	old description: KS01-D/M-08
0150-1836	KS05-D/R-4	trailing chain cable D/R, 4 m	
0150-1837	KS05-D/R-8	trailing chain cable D/R, 8 m	
0150-1809	KS05-P/C-4	trailing chain cable P/C, 4 m	
0150-1810	KS05-P/C-8	trailing chain cable P/C, 8 m	
0150-1982	KS05-P/M-2	trailing chain cable P/M, 2 m	old description: KS01-P/M-02
0150-1983	KS05-P/M-4	trailing chain cable P/M, 4 m	old description: KS01-P/M-04
0150-1814	KS05-P/M-6	trailing chain cable P/M, 6 m	old description: KS01-P/M-06
0150-1815	KS05-P/M-8	trailing chain cable P/M, 8 m	old description: KS01-P/M-08
0150-1990	KS05-P/P-2	trailing chain cable P/P, 2 m	old description: KS02-37/02
0150-1991	KS05-P/P-4	trailing chain cable P/P, 4 m	old description: KS02-37/04
0150-1977	KS10-04/05	trailing chain cable per m	
0150-1968	KS10-04/05-100	trailing chain cable, 100m roll	
0150-1816	KS10-C/C-2	trailing chain cable C/C, 2 m	
0150-1817	KS10-C/C-4	trailing chain cable C/C, 4 m	
0150-1807	KS10-W/C-4	trailing chain cable W/C, 4 m	
0150-1808	KS10-W/C-8	trailing chain cable W/C, 8 m	

Contact Addresses

SWITZERLAND

NTI AG
Haerdlistr. 15
CH-8957 Spreitenbach

Sales and Administration: +41-(0)56-419 91 91
office@linmot.com

Tech. Support: +41-(0)56-544 71 00
support@linmot.com

Tech. Support (Skype): <skype:support.linmot>

Fax: +41-(0)56-419 91 92
Web: <http://www.linmot.com/>

USA

LinMot, Inc.
5750 Townline Road
Elkhorn, WI 53121

Sales and Administration: 877-546-3270
262-743-2555

Tech. Support: 877-804-0718
262-743-1284

Fax: 800-463-8708
262-723-6688

E-Mail: us-sales@linmot.com
Web: <http://www.linmot-usa.com/>

Bitte besuchen Sie <http://www.linmot.com/> um einen Distributor in Ihrer Nähe zu finden.

Smart solutions are...

