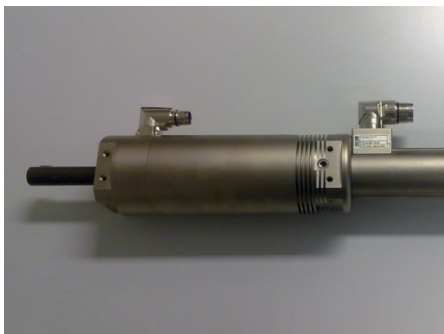
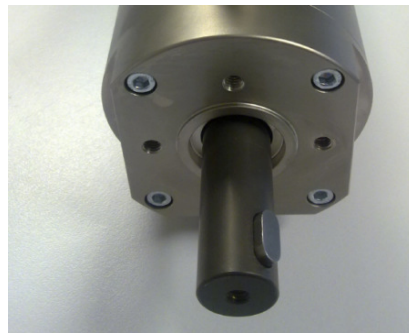
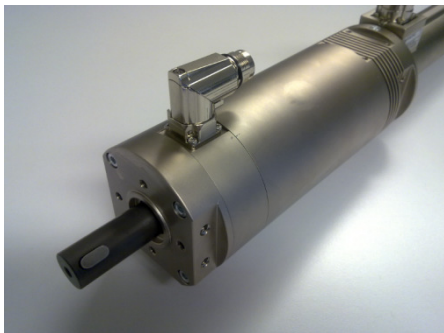


LinMot® Linear-Rotary Motors

Version 2.6e



CAUTION

LINMOT SLIDERS CONTAIN NEODYMIUM MAGNETS WHICH MAY DISTURB OR DAMAGE MAGNETIC DATA CARRIERS AND DELICATE ELECTRONIC EQUIPMENT MERELY BY COMING CLOSE TO THEM.



WHEN HANDLING SLIDERS BE AWARE THAT, DUE THE STRONG MAGNETIC ATTRACTION, INJURY FROM FINGERS BEING PINCHED BETWEEN THE SLIDER AND NEARBY STEEL PARTS IS A VERY REAL POSSIBILITY IF CAUTION IS NOT EXERCISED.



THE SLIDERS OF LINMOT® MOTORS CAN REACH TEMPERATURES WHICH MAY CAUSE BURNS UPON BEING TOUCHED.



THE SLIDERS AND SHAFTS OF LINMOT® LINEAR-ROTARY MOTORS ARE FAST-MOVING MACHINE PARTS. THE USER MUST TAKE ALL NECESSARY PRECAUTIONS TO PREVENT THEIR BEING TOUCHED (PROVIDE COVERS, PROTECTION AGAINST TOUCHING ETC.).

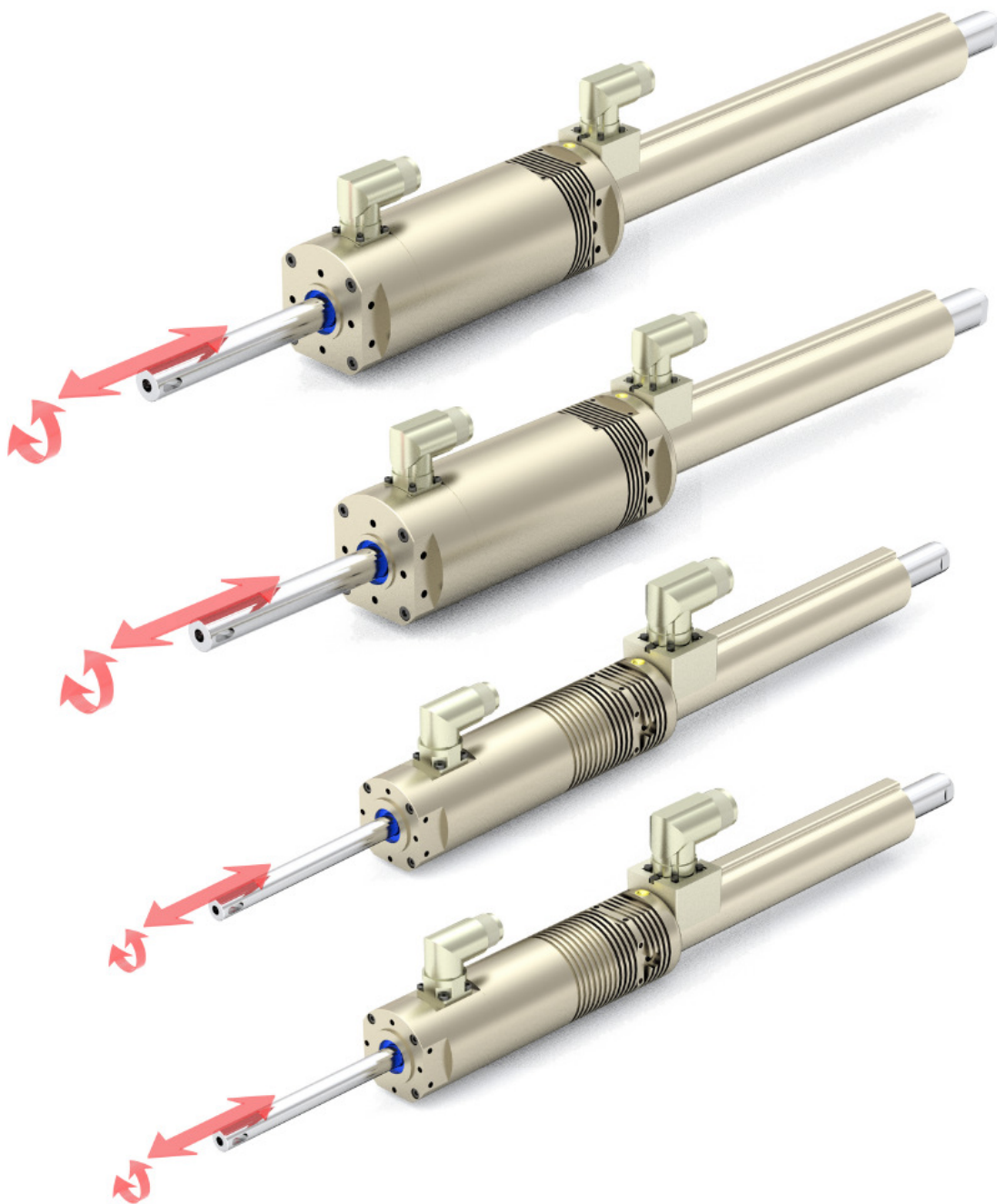


Linear-Rotary Motors PR01-52 and PR01-84

Index of Contents

OVERVIEW	6
LinMot PR01 Linear-Rotary Motors.....	6
PART NAMES	7
Variants model 52.....	7
Variants model 84.....	8
Variants model 84 in 'Stainless Steel'.....	9
Variants model 84 with planetary gear.....	10
TECHNICAL DATA MODEL 52	11
TECHNICAL DATA MODEL 84	13
TECHNICAL DATA MODEL 84 WITH PLANETARY GEAR	15
TORQUE-SPEED CURVE ROTARY MOTORS	17
STARTUP	18
Drive settings.....	18
Configuration Linear Motor.....	19
Configuration Rotary Motor.....	19
Homing the Rotary Motor.....	20
Homing the Linear Motor.....	20
Example of VAI motion with Rotary Motor.....	20
Example of motion using a VAI motion command.....	21
Notes on operating the Linear-Rotary Motor.....	23
Stainless steel variant of the PR01-84x80-SSC series.....	24
Notes on application of the PR01-84x80-SSC series.....	25
Notes on cleaning the SSC variants.....	25
Example: Linear-Rotary motors on a turntable.....	26
INSTALLING LINEAR-ROTARY MOTORS	27
DRAWINGS OF LINEAR-ROTARY MOTORS WITH ACCESSORIES	28
CAD-Files.....	29
ACCESSORIES	30
Heat sinks for linear motors	30
Mounting and cooling flange for linear motors	31
Fan kits	32
Fan kits for Linear Motor.....	32
Fan kit for Rotary Motors.....	33
Wipers.....	34
Multifunction flange and MagSpring.....	35
Effective force of the MagSpring.....	35
Multifunction flange.....	37
Adapter for mounting of MagSpring-Slider	38
Magnetic spring MagSpring®.....	39
Load attachment.....	40
CONNECTOR ASSIGNMENT	41
Connector assignment Linear Motors.....	41
Connector assignment Rotary Motors.....	41
DRAWINGS	42
Drawing PR01-52x40-R/37x120F-HP-C-80.....	42
Stroke range PR01-52x40-R/37x120F-HP-C-80.....	43

Drawing PR01-52x60-R/37x120F-HP-C-100.....	44
Stroke range PR01-52x60-R/37x120F-HP-C-100.....	45
Drawing PR01-52x60-R/37x120F-HP-C-100 with Flange PF02-37x100.....	46
Drawing PR01-52x60-R/37x120F-HP-C-100 with MagSpring.....	47
Drawing PR01-52x60-R/37x120F-HP-C-100 Flange/MagSpring/Fan.....	48
Drawing PR01-52x60-R/37x120F-HP-C-150.....	49
Stroke range PR01-52x60-R/37x120F-HP-C-150.....	50
Drawing PR01-84x80-C/48x240F-C-100.....	51
Stroke range PR01-84x80-C/48x240F-C-100.....	52
Drawing PR01-84x80-C/48x240F-C-100 with Flange PF01-48x226.....	53
Drawing PR01-84x80-C/48x240F-C-100 Multifunction-Flange and MagSpring.....	54
Drawing PR01-84x80-C/48x240F-C-100 with Flange and MagSpring.....	55
Drawing PR01-84x80-C/48x360F-C-100.....	56
Stroke range PR01-84x80-C/48x360F-C-100.....	57
Drawing PR01-84x80-SSC-C/48x240F-C-150.....	58
Stroke range PR01-84x80-SSC-C/48x240F-C-150.....	59
Drawing PR01-84x80-SSC-C/48x360F-C-150.....	60
Stroke range PR01-84x80-SSC-C/48x360F-C-150.....	61
Drawing PR01-84x80-C/48x240F-C-300.....	62
Stroke range PR01-84x80-C/48x240F-C-300.....	63
Drawing PR01-84x80-C-G/48x240F-C-150-G.....	64
Stroke Range PR01-84x80-C-G/48x240F-C-150-G.....	65
Maintenance of LinMot® Linear-Rotary Motors.....	66
Lubricating instructions.....	66
Storage / transport.....	66
TROUBLE SHOOTING.....	67
Trouble Shooting of Linear Motors.....	67
Trouble Shooting of Rotary Motors.....	68
CAUTION: HANDLING INSTRUCTIONS FOR SLIDERS.....	69
DECLARATION OF CONFORMITY CE-MARKING.....	70
CONTACT ADDRESS:.....	71



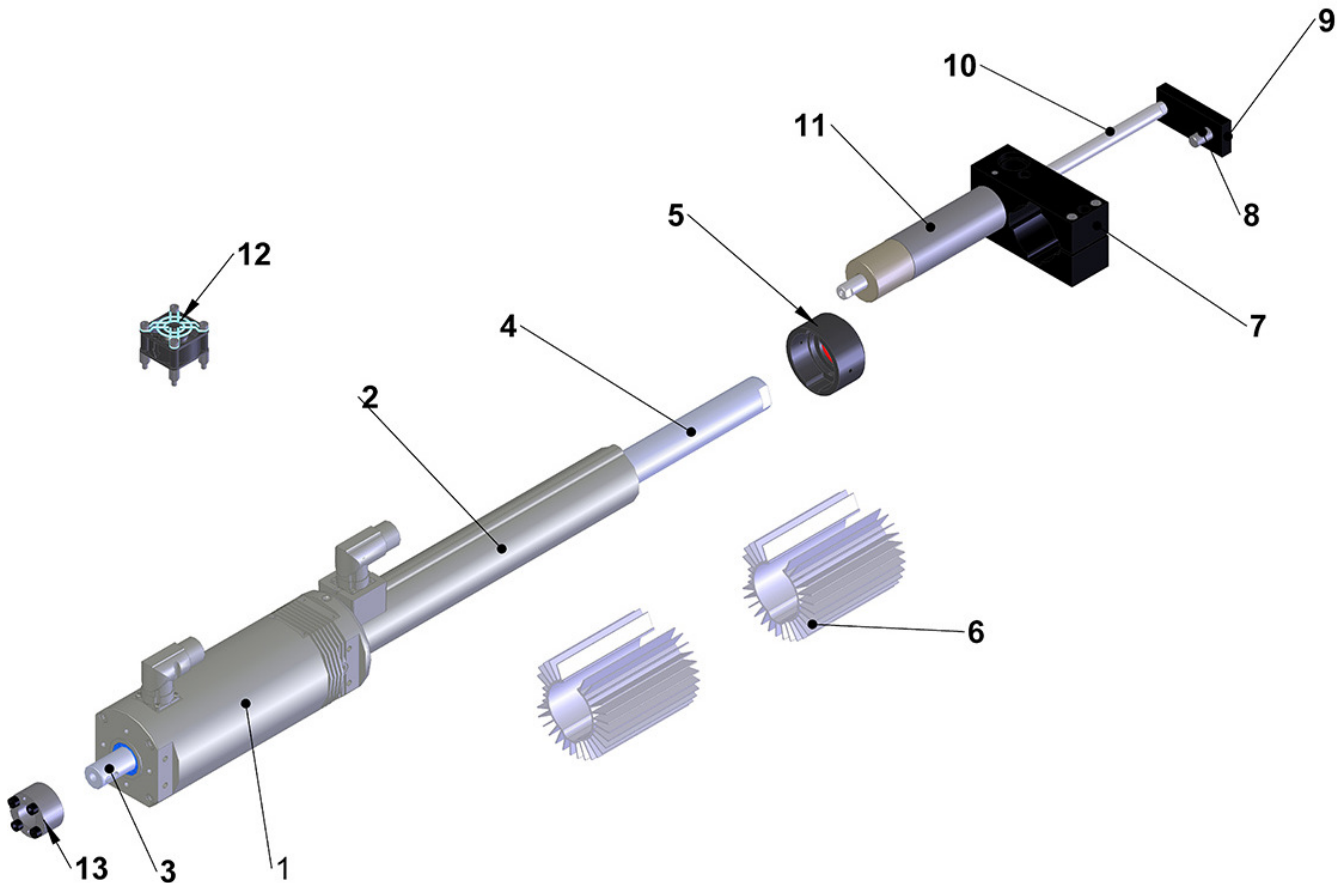
Linear-Rotary Motors series PR01-52 and PR01-84

Overview

LinMot PR01 Linear-Rotary Motors

The LinMot PR01 series of Linear-Rotary motors includes various sizes that differ primarily in the maximum torque available from the rotary motor or the linear force available from the linear motor. In addition to the different sizes, variants with axial through-holes (for a pneumatic line or an ejector, for example) and stainless steel models are available.

A Linear-Rotary motor fundamentally consists of a linear motor with an attached rotary torque motor. The two motors are electrically independent units and can be controlled completely independently of each other.



1. Rotary Motor
2. Linear Motor
3. Shaft (moves linear and rotating)
4. Slider of the Linear Motor (moves linear)
5. Option: Wiper
6. Option: Heat sinks for Linear Motor
7. Option: MagSpring – Multifunction flange
8. Option: MagSpring – Mounting Screw / pneumatic supply –L version
9. Option: MagSpring - Adapter
10. Option: MagSpring - Slider
11. Option: MagSpring - Stator
12. Option: Fan kit for Rotary Motor
13. Option: Clamp Set for load attachment

Part names

Linear-Rotary motors are supplied fully assembled. The following list gives information about the individual components used.

Variants model 52

PR01-52x40-R/37x120F-HP-C-80 (solid shaft) Part-No: 0150-1573

Consisting of:

Rotary motor:	RS01-52x40-R	Part-No: 0150-1572
Linear motor:	PS01-37x120F-HP-C-80	Part-No: 0150-2256
Slider:	PL01-20x258/220-HP-PR	Part-No: 0150-1571
Shaft:	RS01k-DA243x12	Part-No: 0160-2315

PR01-52x40-R/37x120F-HP-C-80-L (hollow shaft) Part-No: 0150-2703

Consisting of:

Rotary motor:	RS01-52x40-R	Part-No: 0150-1572
Linear motor:	PS01-37x120F-HP-C-80	Part-No: 0150-2256
Slider:	PL01-20x258/220-HP-PR-L-G18	Part-No: 0150-2526
Shaft:	RS01k-DA243x12-L	Part-No: 0160-2490

PR01-52x60-R/37x120F-HP-C-100 (solid shaft) Part-No: 0150-1197

Consisting of:

Rotary motor:	RS01-52x60-R	Part-No: 0150-1563
Linear motor:	PS01-37x120F-HP-C-100	Part-No: 0150-1545
Slider:	PL01-20x285/240-HP-PR	Part-No: 0150-1541
Shaft:	RS01k-DA283x12	Part-No: 0160-2215

PR01-52x60-R/37x120F-HP-C-100-L (hollow shaft) Part-No: 0150-2704

Consisting of:

Rotary motor:	RS01-52x60-R	Part-No: 0150-1563
Linear motor:	PS01-37x120F-HP-C-100	Part-No: 0150-1545
Slider:	PL01-20x285/240-HP-PR-L-G18	Part-No: 0150-2525
Shaft:	RS01k-DA283x12-L	Part-No: 0160-2489

PR01-52x60-R/37x120F-HP-C-150 (solid shaft) Art.-Nr.: 0150-2705

Consisting of:

Drehmotor:	RS01-52x60-R	Art.-Nr.: 0150-1563
Linearmotor:	PS01-37x120F-HP-C-150	Art.-Nr.: 0150-1545
Läufer:	PL01-20x320/240-HP-PR	Art.-Nr.: 0150-2539
Drehachse:	RS01h-DA383x12	Art.-Nr.: 0160-2514

(available 1.Q 2014)

PR01-52x60-R/37x120F-HP-C-150-L (hollow shaft) Art.-Nr.: 0150-2706

Consisting of:

Drehmotor:	RS01-52x60-R	Art.-Nr.: 0150-1563
Linearmotor:	PS01-37x120F-HP-C-150	Art.-Nr.: 0150-1545
Läufer:	PL01-20x320/240-HP-PR-L-G18	Art.-Nr.: 0150-2538
Drehachse:	RS01h-DA383x12-L	Art.-Nr.: 0160-2511

(available ab 1.Q 2014)

Variants model 84

PR01-84x80-C/48x240F-C-100 Consisting of:	(solid shaft)	Part-No: 0150-1194
Rotary Motor:	RS01-84x80-C	Part-No: 0150-1562
Linear Motor:	PS01-48x240F-C-100	Part-No: 0150-1547
Slider:	PL01-28x377/330-PR	Part-No: 0150-1542
shaft:	RS01k-DA345x20	Part-No: 0160-2266
PR01-84x80-C/48x240F-C-100-L Consisting of:	(hollow shaft)	Part-No: 0150-1196
Rotary Motor:	RS01-84x80-C	Part-No: 0150-1562
Linear Motor:	PS01-48x240F-C-100	Part-No: 0150-1547
Slider:	PL01-28x377/330-PR-L-G14	Part-No: 0150-1592
shaft:	RS01k-DA345x20-L	Part-No: 0160-2243
PR01-84x80-C/48x360F-C-100 Consisting of:	(solid shaft)	Part-No: 0150-1199
Rotary Motor:	RS01-84x80-C	Part-No: 0150-1562
Linear Motor:	PS01-48x360F-C-100	Part-No: 0150-1566
Slider:	PL01-28x500/450-PR	Part-No: 0150-1567
shaft:	RS01k-DA345x20	Part-No: 0160-2266
PR01-84x80-C/48x360F-C-100-L Consisting of:	(hollow shaft)	Part-No: 0150-1200
Rotary Motor:	RS01-84x80-C	Part-No: 0150-1562
Linear Motor:	PS01-48x360F-C-100	Part-No: 0150-1566
Slider:	PL01-28x500/450-PR-L-G14	Part-No: 0150-1568
shaft:	RS01k-DA345x20-L	Part-No: 0160-2243
PR01-84x80-C/48x240F-C-300 Consisting of:	(solid shaft)	Part-No: 0150-1580
Rotary Motor:	RS01-84x80-C-300	Part-No: 0150-2509
Linear Motor:	PS01-48x240F-C-300	Part-No: 0150-1578
Slider:	PL01-28x528/480-PR	Part-No: 0150-2371
shaft:	RS01h-DA692x20	Part-No: 0160-2473

Variants model 84 in 'Stainless Steel'

PR01-84x80-SSC-C/48x240F-C-150 (solid shaft, Stainless Steel) Part-No: 0150-1581

Consisting of:

Rotary Motor:	RS01-84x80-SSC-C	Part-No: 0150-2508
Linear Motor:	PS01-48x240F-C-150	Part-No: 0150-1577
Slider:	PL01-28x377/330-PR	Part-No: 0150-1542
shaft:	RS01k-DA440x20-SSC	Part-No: 0160-2470

PR01-84x80-SSC-C/48x240F-C-150-L (hollow shaft , Stainless Steel) Part-No: 0150-1582

Consisting of:

Rotary Motor:	RS01-84x80-SSC-C	Part-No: 0150-2508
Linear Motor:	PS01-48x240F-C-150	Part-No: 0150-1577
Slider:	PL01-28x377/330-PR-L-G14	Part-No: 0150-1592
shaft:	RS01k-DA440x20-L-SSC	Part-No: 0160-2422

PR01-84x80-SSC-C/48x360F-C-150 (solid shaft, Stainless Steel) Part-No: 0150-1579

Consisting of:

Rotary Motor:	RS01-84x80-SSC-C	Part-No: 0150-2508
Linear Motor:	PS01-48x360F-C-150	Part-No: 0150-1584
Slider:	PL01-28x500/450-PR	Part-No: 0150-1567
shaft:	RS01h-DA440x20-SSC	Part-No: 0160-2470

R01-84x80-SSC-C/48x360F-C-150-L (hollow shaft Stainless Steel) Part-No: 0150-1583

Consisting of:

Rotary Motor:	RS01-84x80-SSC-C	Part-No: 0150-2508
Linear Motor:	PS01-48x360F-C-150	Part-No: 0150-1584
Slider:	PL01-28x500/450-PR-L-G14	Part-No: 0150-1568
shaft:	RS01h-DA440x20-L-SSC	Part-No: 0160-2422

Variants model 84 with planetary gear

PR01-84x80-C-G/48x240F-C-150-G05

Consisting of:

Drehmotor: RS01-84x80-C-G
Getriebe: RS01k-EPLFE90-I05
Linearmotor: PS01-48x240F-C-150
Läufer: PL01-28x377/330-PR
Drehachse: RS01k-DA345x20

Art.-Nr.: 0150-2531

Art.-Nr.: 0150-2528
Art.-Nr.: 0160-2474
Art.-Nr.: 0150-1577
Art.-Nr.: 0150-1542
Art.-Nr.: 0160-2266

PR01-84x80-C-G/48x240F-C-150-G07

Consisting of:

Drehmotor: RS01-84x80-C-G
Getriebe: RS01k-EPLFE90-I07
Linearmotor: PS01-48x240F-C-150
Läufer: PL01-28x377/330-PR
Drehachse: RS01k-DA345x20

Art.-Nr.: 0150-2532

Art.-Nr.: 0150-2528
Art.-Nr.: 0160-2475
Art.-Nr.: 0150-1577
Art.-Nr.: 0150-1542
Art.-Nr.: 0160-2266

PR01-84x80-C-G/48x240F-C-150-G10

Consisting of:

Drehmotor: RS01-84x80-C-G
Getriebe: RS01k-EPLFE90-I10
Linearmotor: PS01-48x240F-C-150
Läufer: PL01-28x377/330-PR
Drehachse: RS01k-DA345x20

Art.-Nr.: 0150-2533

Art.-Nr.: 0150-2528
Art.-Nr.: 0160-2476
Art.-Nr.: 0150-1577
Art.-Nr.: 0150-1542
Art.-Nr.: 0160-2266

PR01-84x80-C-G/48x360F-C-150-G05

Consisting of:

Drehmotor: RS01-84x80-C-G
Getriebe: RS01k-EPLFE90-I05
Linearmotor: PS01-48x360F-C-150
Läufer: PL01-28x500/450-PR
Drehachse: RS01k-DA345x20

Art.-Nr.: 0150-2535

Art.-Nr.: 0150-2528
Art.-Nr.: 0160-2474
Art.-Nr.: 0150-1584
Art.-Nr.: 0150-1567
Art.-Nr.: 0160-2266

PR01-84x80-C-G/48x360F-C-150-G07

Consisting of:

Drehmotor: RS01-84x80-C-G
Getriebe: RS01k-EPLFE90-I07
Linearmotor: PS01-48x360F-C-150
Läufer: PL01-28x500/450-PR
Drehachse: RS01k-DA345x20

Art.-Nr.: 0150-2536

Art.-Nr.: 0150-2528
Art.-Nr.: 0160-2475
Art.-Nr.: 0150-1584
Art.-Nr.: 0150-1567
Art.-Nr.: 0160-2266

PR01-84x80-C-G/48x360F-C-150-G10

Consisting of:

Drehmotor: RS01-84x80-C-G
Getriebe: RS01k-EPLFE90-I10
Linearmotor: PS01-48x360F-C-150
Läufer: PL01-28x500/450-PR
Drehachse: RS01k-DA345x20

Art.-Nr.: 0150-2537

Art.-Nr.: 0150-2528
Art.-Nr.: 0160-2476
Art.-Nr.: 0150-1584
Art.-Nr.: 0150-1567
Art.-Nr.: 0160-2266

Technical data model 52

	Unit	PR01-52x40-R/ 37x120F-HP- C-80 (-L)	PR01-52x60-R/ 37x120F-HP- C-100 (-L)	PR01-52x60-R/ 37x120F-HP- C-150 (-L)			
Linear Motor*							
Max Stroke	mm	80	100	150			
Short stroke range	mm	80	100	150			
Peak Force ****	N	255 (-L 229)	255 (-L 229)	255 (-L 229)			
Cont. Force with Fan ****	N	92 (-L 82)	92 (-L 82)	92 (-L 82)			
Cont Force ****	N	51 (-L 45)	51 (-L 45)	51 (-L 45)			
Max Velocity	m/s	3.9	3.9	3.9			
Max Current	A	15	15	15			
Force Constant	N/A	17	17	17			
Repeatability	mm	+/- 0.05	+/- 0.05	+/- 0.05			
Phase Resistance (20 °C)	Ohm	2.35	2.35	2.35			
Phase Induction	mH	1.6	1.6	1.6			
Linearity	%	+/- 0.1	+/- 0.1	+/- 0.1			
Rotary Motor*							
Peak Torque (stall) ($M_{0\ Max}$)	Nm	1.53	2.2	2.2			
Continuous Torque (stall)	Nm	0.32	0.47	0.47			
Continuous Torque (stall) with Fan	Nm	0.47	0.68	0.68			
Recommended max revolution (n_{Max})	rpm	1500	1500	1500			
Max Current**	A_{rms}	5.66	9.55	9.55			
Torque constant	Nm/ A_{rms}	0.27	0.23	0.23			

	Unit	PR01-52x40-R/ 37x120F-HP- 80 (-L)	PR01-52x60-R/ 37x120F-HP- 100 (-L)	PR01-52x60-R/ 37x120F-HP- 150 (-L)			
Concentricity (max stroke without payload)	mm	<+/-0.05	<+/-0.05	<+/-0.07			
Phase Resistance (20°C)	Ohm	7.1	3	3			
Induction	mH	4.8	2.8	2.8			
Repeatability	°	+/- 0.05° (+/-3')	+/- 0.05° (*/-3')	+/- 0.05° (*/-3')			
Mechanical Dimensions***							
Length	mm	503	565	704			
Diameter Linear Motor	mm	37	37	37			
Diameter Rotary Motor	mm	52	52	52			
Fitting Flange (front)	mm	30	30	30			
Mass Total	kg	2.68	3.12	3.7			
Moving mass (linear)	kg	0.79	0.86	1			
Moment of inertia (rotation)	kgcm ²	0.22	0.26	0.31			
Diameter shaft	mm	12h9	12h9	12h9			
Option hollow shaft		ja	ja	ja*****			
Diameter hole (-L version)		3 mm Connection (front) M5/ back 1/8"	3 mm Connection (front) M5/ back 1/8"	3 mm Anschluss vorne M5/ hinten 1/8"			
Protection Class		IP54	IP54	IP54			

Specification of products are subject to change without notification

* with Drive E1200-UC series

** Attention: LinMot Talk shows peak current -->($I_{rms} := I_{peak}/1.4$)

*** details see drawings

**** hollow shaft versions -L: 10% reduced force (data in bracket)

***** Available 1. Q 2014

Technical data model 84

	Unit	PR01-84x80-C/ 48x240F- C-100 (-L)	PR01-84x80-C/ 48x360F- C-100 (-L)	PR01-84x80- SSC-C/ 48x240F-C-150 (-L)	PR01-84x80- SSC-C/ 48x360F-C-150 (-L)	PR01-84x80-C/ 48x240F-C-300	
Linear Motor*							
Max Stroke	mm	130	130	150	150	300	
Short stroke range	mm	100	100	100	100	200	
Peak Force****	N	572 (-L 514)	1024 (-L 921)	572 (-L 514)	1024 (-L 921)	572	
Cont. Force with Fan****	N	255 (-L 230)	354 (-L 319)	255 (-L 230)	354 (-L 319)	255	
Cont Force****	N	145 (-L 130)	203 (-L 182)	145 (-L 130)	203 (-L 182)	145	
Max Velocity	m/s	3	2.1	3	2.1	3	
Max Current	A	26	32	26	32	26	
Force Constant	N/A	22	32	22	32	22	
Repeatability	mm	+/- 0.05	+/- 0.05	+/- 0.05	+/- 0.05	+/- 0.05	
Phase Resistance (20 °C)	Ohm	1.0	1.38	1.0	1.38	1.0	
Phase Induction	mH	1.0	1.6	1.0	1.6	1.0	
Linearity	%	+/- 0.15	+/- 0.15	+/- 0.15	+/- 0.15	+/- 0.15	
Rotary Motor*							
Peak Torque (stall) ($M_{0\ Max}$)	Nm	8.9	8.9	8.9	8.9	8.9	
Continuous Torque (stall)	Nm	1.9	1.9	1.9	1.9	1.9	
Continuous Torque (stall) mit Fan	Nm	2.64	2.64	2.64	2.64	2.64	
Recommended max revolution (n_{Max})	rpm	1000	1000	1000	1000	1000	
Max Current**	A_{rms}	17.68	17.68	17.68	17.68	17.68	
Torque constant	Nm/A_{rms}	0.5035	0.5035	0.5035	0.5035	0.5035	

	Unit	PR01-84x80-C/ 48x240F-C-100 (-L)	PR01-84x80-C/ 48x360F-C-100 (-L)	PR01-84x80- SSC-C/ 48x240F-C-150 (-L)	PR01-84x80- SSC-C/ 48x360F-C-150 (-L)	PR01-84x80-C/ 48x240F-C-300	
Concentricity (max stroke without payload)	mm	<+/-0.05	<+/-0.05	<+/-0.07	<+/-0.07	<+/-0.3	
Phase Resistance (20°C)	Ohm	1.1	1.1	1.1	1.1	1.1	
Induction	mH	4.3	4.3	4.3	4.3	4.3	
Repeatability	°	+/- 0.05° (*/-3')	+/- 0.05° (*/-3')	+/- 0.05° (*/-3')	+/- 0.05° (*/-3')	+/- 0.05° (*/-3')	
Mechanical Dimensions***							
Length	mm	726	846	819	959	1222	
Diameter Linear Motor	mm	48	48	48	48	48	
Diameter Rotary Motor	mm	84	84	84	84	84	
Fitting Flange (front)	mm	35	35	48	48	48	
Mass Total	kg	8.85	10.48	11	12.4	12.5	
Moving mass (linear)	kg	2.5	2.9	2.6	3.2	3.6	
Moment of inertia (rotation)	kgcm ²	2.0	2.0	2.3	2.3	2.4	
Diameter shaft	mm	20h9	20h9	20h9	20h9	20h9	
Option hollow shaft in shaft		ja	Ja	ja	ja	nein	
Diameter hole (-L version)		4 mm / (Connection 1/4")	4 mm / (Connection 1/4")	4 mm / (Connection 1/4")	4 mm / (Connection 1/4")	--	
Protection Class		IP54	IP54	IP54 / IP65	IP54 / IP65	IP54	

Specification of products are subject to change without notification * with Drive E1200-UC series

** Attention: LinMot Talk shows peak current -->(I_{rms}:= I_{peak}/1.4)

*** details see drawings

**** hollow shaft versions -L: 10% reduced force (data in bracket)

Technical data model 84 with planetary gear

	Unit	PR01-84x80-C-G/ 48x240F-C-150-G..	PR01-84x80-C-G/ 48x360F-C-150-G..				
Linear Motor*							
Max Stroke	mm	150	150				
Short stroke range	mm	100	100				
Peak Force****	N	572 (-L 514)	1024 (-L 921)				
Cont. Force with Fan****	N	255 (-L 230)	354 (-L 319)				
Cont Force****	N	145 (-L 130)	203 (-L 182)				
Max Velocity	m/s	3	2.1				
Max Current	A	26	32				
Force Constant	N/A	22	32				
Repeatability	mm	+/- 0.05	+/- 0.05				
Phase Resistance (20 °C)	Ohm	1.0	1.38				
Phase Induction	mH	1.0	1.6				
Linearity	%	+/- 0.15	+/- 0.15				
Rotary Motor*							
Peak Torque (stall) ($M_{0\ Max}$)	Nm	8.9	8.9				
Continuous Torque (stall)	Nm	1.9	1.9				
Continuous Torque (stall) mit Fan	Nm	2.64	2.64				
Recommended max revolution (n_{Max})	U/min	1000	1000				
Max Current**	A_{rms}	17.68	17.68				
Torque constant	Nm/ A_{rms}	0.5035	0.5035				

	Unit	PR01-84x80-C-G/ 48x240F-C-150-G..	PR01-84x80-C-G/ 48x360F-C-150-G..				
Gear ratio	i	5/710	5/710				
Phase Resistance (20°C)	Ohm	1.1	1.1				
Induction	mH	4.3	4.3				
Repeatability	°	+/- 0.05° (*/-3')	+/- 0.05° (*/-3')				
Mechanical Dimensions***							
Length	mm	862	982				
Diameter Linear Motor	mm	48	48				
Diameter Rotary Motor	mm	84	84				
Mass Total	kg	13.0	14.6				
Moving mass (linear)	kg	6.73	7.33				
Moment of inertia (rotation)	kgcm ²	2.3	2.3				
Option hollow shaft in shaft		Not available	Not available				
Protection Class		IP54	IP54				

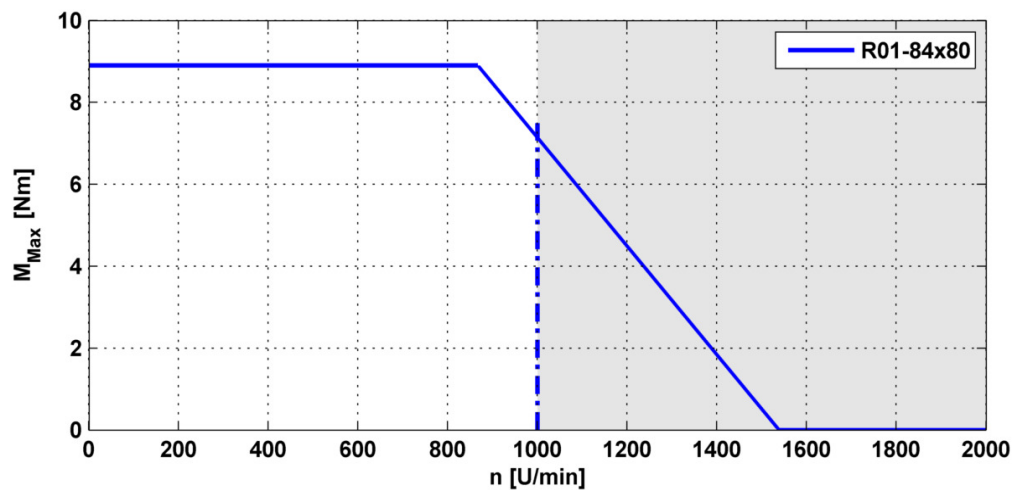
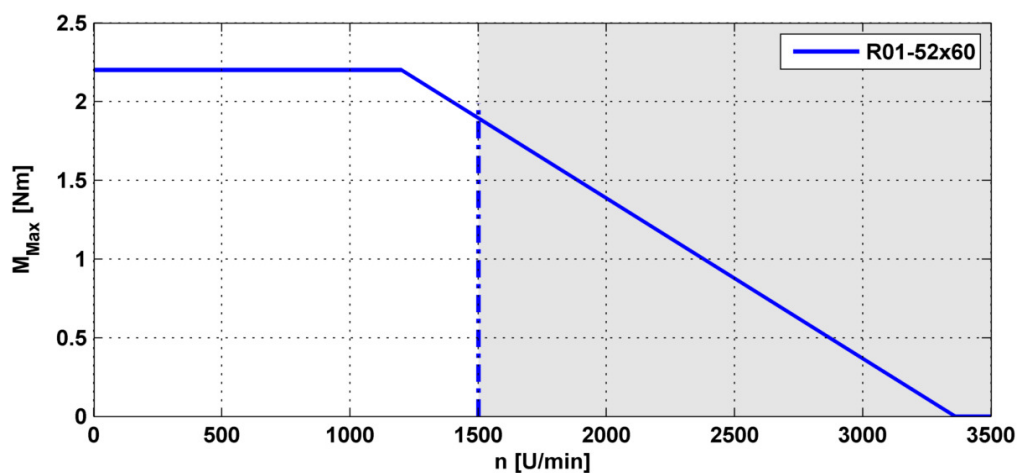
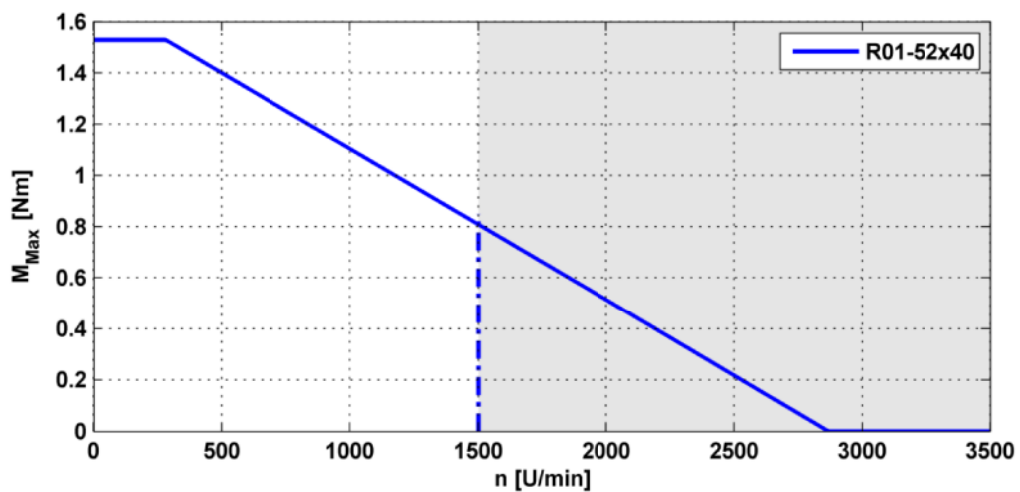
Specification of products are subject to change without notification * with Drive E1200-UC series

** Attention: LinMot Talk shows peak current -->(I_{rms}:= I_{peak}/1.4)

*** details see drawings

**** hollow shaft versions -L: 10% reduced force (data in bracket)

Torque-Speed Curve Rotary Motors

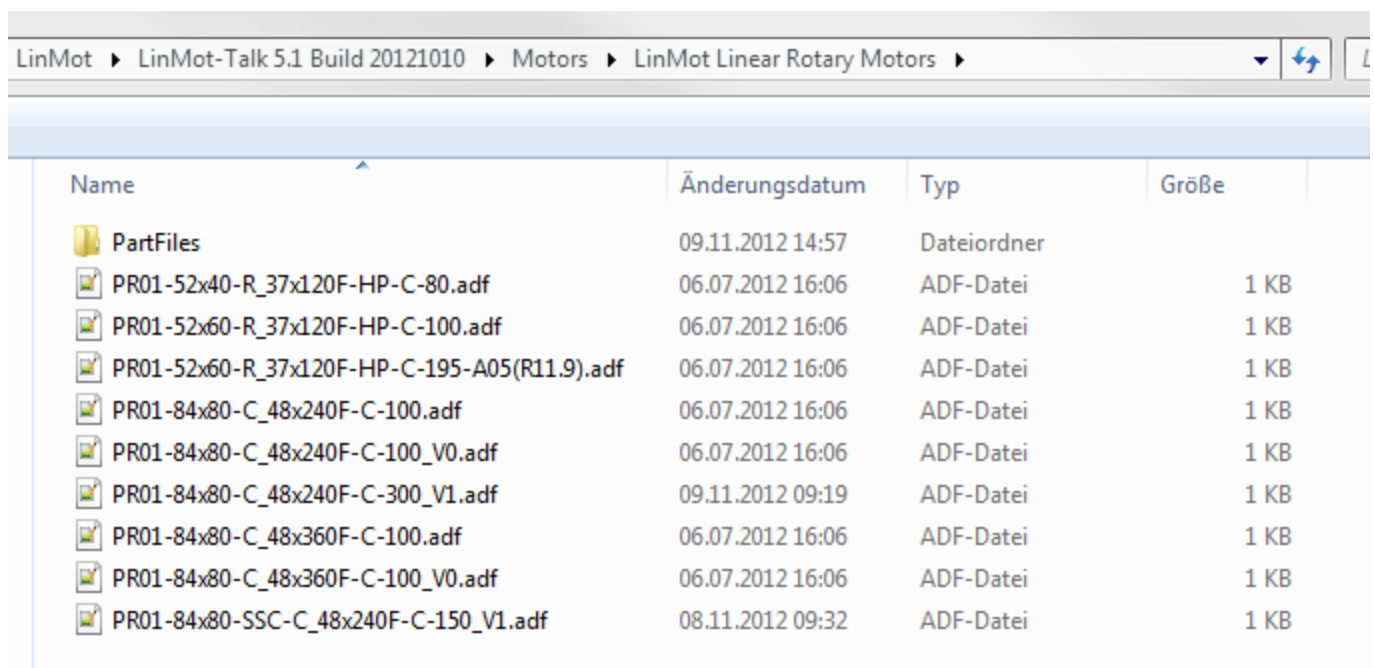


Startup

The linear motor and rotary motor are electrically independent units. This means that the Linear-Rotary motor can be started up sequentially. It makes no difference which motor (linear or rotary) is started up first.

Drive settings

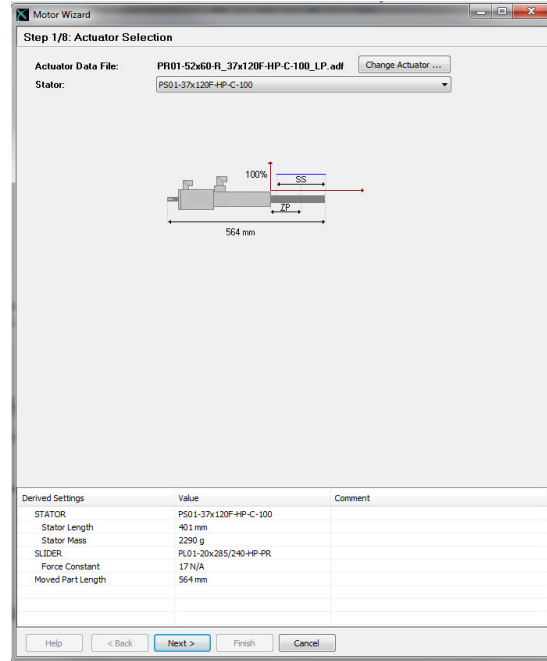
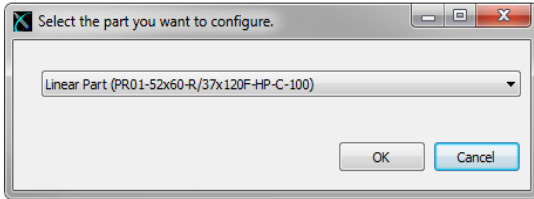
The various parameters for the linear motor and the rotary motor are set using the corresponding wizard in the LinMot Talk configuration program. (Contact LinMot Support if you do not see the folder "Motors\LinMot Linear Rotary Motor".)



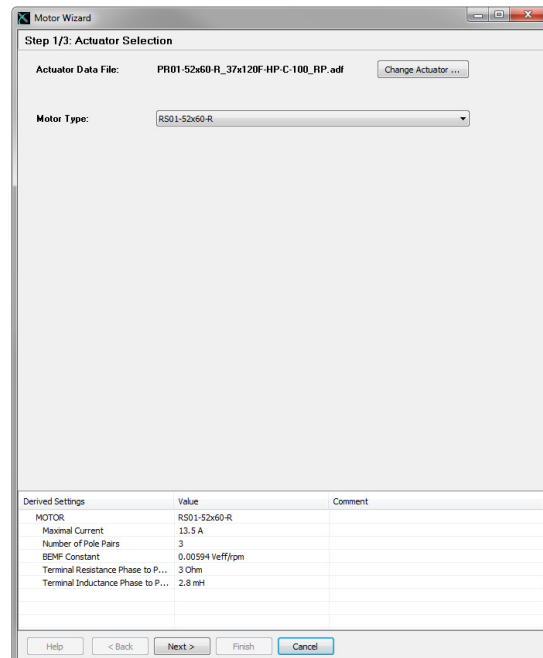
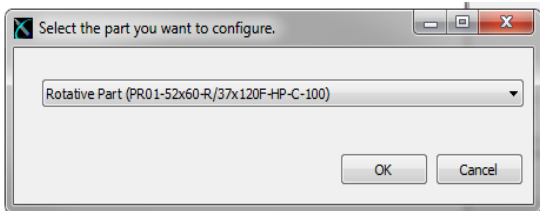
Name	Änderungsdatum	Typ	Größe
PartFiles	09.11.2012 14:57	Dateiordner	
PR01-52x40-R_37x120F-HP-C-80.adf	06.07.2012 16:06	ADF-Datei	1 KB
PR01-52x60-R_37x120F-HP-C-100.adf	06.07.2012 16:06	ADF-Datei	1 KB
PR01-52x60-R_37x120F-HP-C-195-A05(R11.9).adf	06.07.2012 16:06	ADF-Datei	1 KB
PR01-84x80-C_48x240F-C-100.adf	06.07.2012 16:06	ADF-Datei	1 KB
PR01-84x80-C_48x240F-C-100_V0.adf	06.07.2012 16:06	ADF-Datei	1 KB
PR01-84x80-C_48x240F-C-300_V1.adf	09.11.2012 09:19	ADF-Datei	1 KB
PR01-84x80-C_48x360F-C-100.adf	06.07.2012 16:06	ADF-Datei	1 KB
PR01-84x80-C_48x360F-C-100_V0.adf	06.07.2012 16:06	ADF-Datei	1 KB
PR01-84x80-SSC-C_48x240F-C-150_V1.adf	08.11.2012 09:32	ADF-Datei	1 KB

The Linear-Rotary motors are located in the folder "Motors\LinMot Linear Rotary Motors". It makes no difference whether the linear or rotary motor is configured first.

Configuration Linear Motor



Configuration Rotary Motor



Homing the Rotary Motor

No homing is necessary, because the rotary motor uses an absolute measurement system (single turn).

Homing the Linear Motor

If the linear motor is homed to the internal stop of the Linear-Rotary motor, then the maximum homing velocity must be no greater than 0.01 m/s.

Example of VAI motion with Rotary Motor

The LinMot Talk program uses units on the parameter page the same way they are used to actuate linear motors. In order to control a rotary motor, therefore, a ratio between one motor revolution (360°) and the linear travel distance must be defined (**by default, 1 revolution through 360° corresponds to a linear travel distance of 36 mm**).

Motor Wizard
Step 3/3: Position Feedback

Motor Angle to Position Ratio

Base of Angle Measuring: Sine/Cosine Sensor
1 Revolution = 36 mm
Positive Counting Direction: Counter-clockwise

External Position Measuring System (optional)

Sensor Type: No Sensor

Power Up Position Recovery

Mode: LmComm And In Sensor Period
Home Position (HP): 0 mm

Derived Settings	Value	Comment
Commutation Period	12 mm	
BEMF Constant	42 V/(m/s)	

Help < Back Next > Finish Cancel

Motor Wizard: Motor Angle to Position Ratio

The ratio can be freely defined. Keep in mind that the "position" parameter type is defined as a 32-bit value and the maximum position resolution is 0.1 μm . This means that the maximum stroke is limited to between -214748 mm and 214748 mm.

Position [mm]	-214748 to 214748
1 revolution = 36 mm ($1^\circ == 0.1$ mm)	Maximum number of revolutions = 11930
1 revolution = 360 mm ($1^\circ == 1$ mm)	Maximum number of revolutions = 1193

The ratio, however, affects not only the positions but also the PID controller. The table below shows an example of this:

P [A/mm]	5
1 revolution = 36 mm ($1^\circ == 0.1$ mm)	For a deviation of 1° , the drive reacts with 0.5 A
1 revolution = 360 mm ($1^\circ == 1$ mm)	For a deviation of 1° , the drive reacts with 5 A

This means that if the "Motor Angle to Position Ratio" is changed, the controller parameters must be (manually) adjusted as well.

Example of motion using a VAI motion command

A VAI Motion Command (motion using the Velocity Acceleration Interpolator) can be started directly via the LinMot Talk program.

1) Definition of the movement:

Number of revolutions	25
Acceleration phase	100 [ms]
Maximal velocity	1500 [rpm]
Delay	50 [ms]
1 Revolution	36 [mm]

2) Converting the rotary parameters into the linear system:

$$\text{Target Position [mm]} = \text{Number of revolutions} * 36 \text{ [mm]} = 900 \text{ [mm]}$$

$$\text{Maximal Velocity [m/s]} = (1500 \text{ [1/min]} * 0.036 \text{ [m]}) / 60 = 0.9 \text{ [m/s]}$$

$$\text{Acceleration [m/s}^2\text{]} = \text{Maximal Velocity [m/s]} / 0.1 \text{ [s]} = 9 \text{ [m/s}^2\text{]}$$

$$\text{Deceleration [m/s}^2\text{]} = \text{Maximal Velocity [m/s]} / 0.05 \text{ [s]} = 18 \text{ [m/s}^2\text{]}$$

3) Entering the parameters in LinMot-Talk → Control Panel → Motion Cmd Interface

Enable Manual Override: -10 mm -1 mm +1 mm +10 mm

Command Category: Most Commonly Used

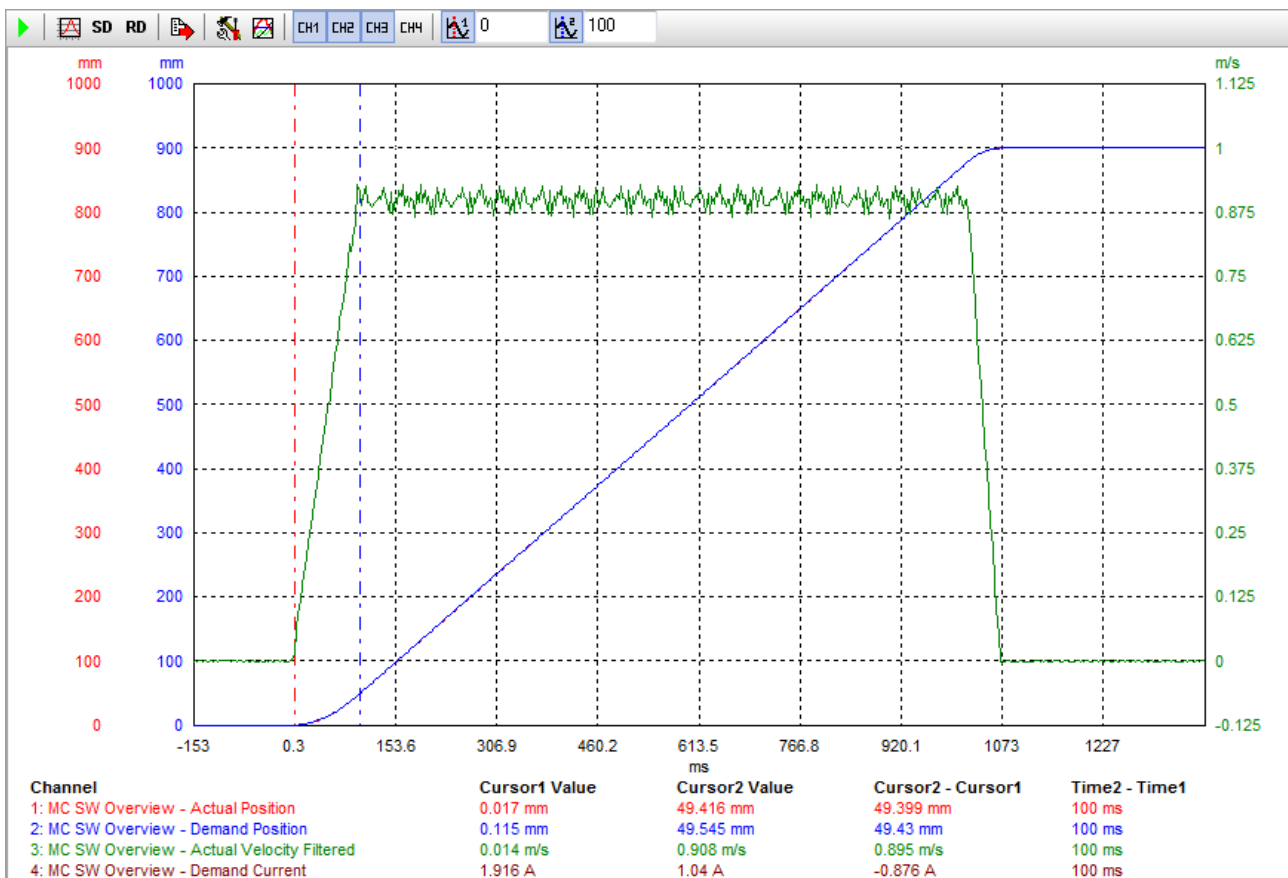
Command Type: VAI Go To Pos (010xh) ?

Count Nibble (Toggle Bits): 1h Auto Increment Count Nibble

Name	Offs.	Description	Scaled Value	Int. Value (Dec)	Int. Value (Hex)
Header	0	010xh: VAI Go To Pos	257	257	0101h
1. Par	2	Target Position	900 mm	9000000	00895440h
2. Par	6	Maximal Velocity	0.9 m/s	900000	000DBBA0h
3. Par	10	Acceleration	9 m/s ²	900000	000DBBA0h
4. Par	14	Deceleration	18 m/s ²	1800000	001B7740h

Read Command
Send Command

Using the oscilloscope (integrated in LinMot-Talk), the motion can be recorded and the PID control parameters can be adjusted as needed.



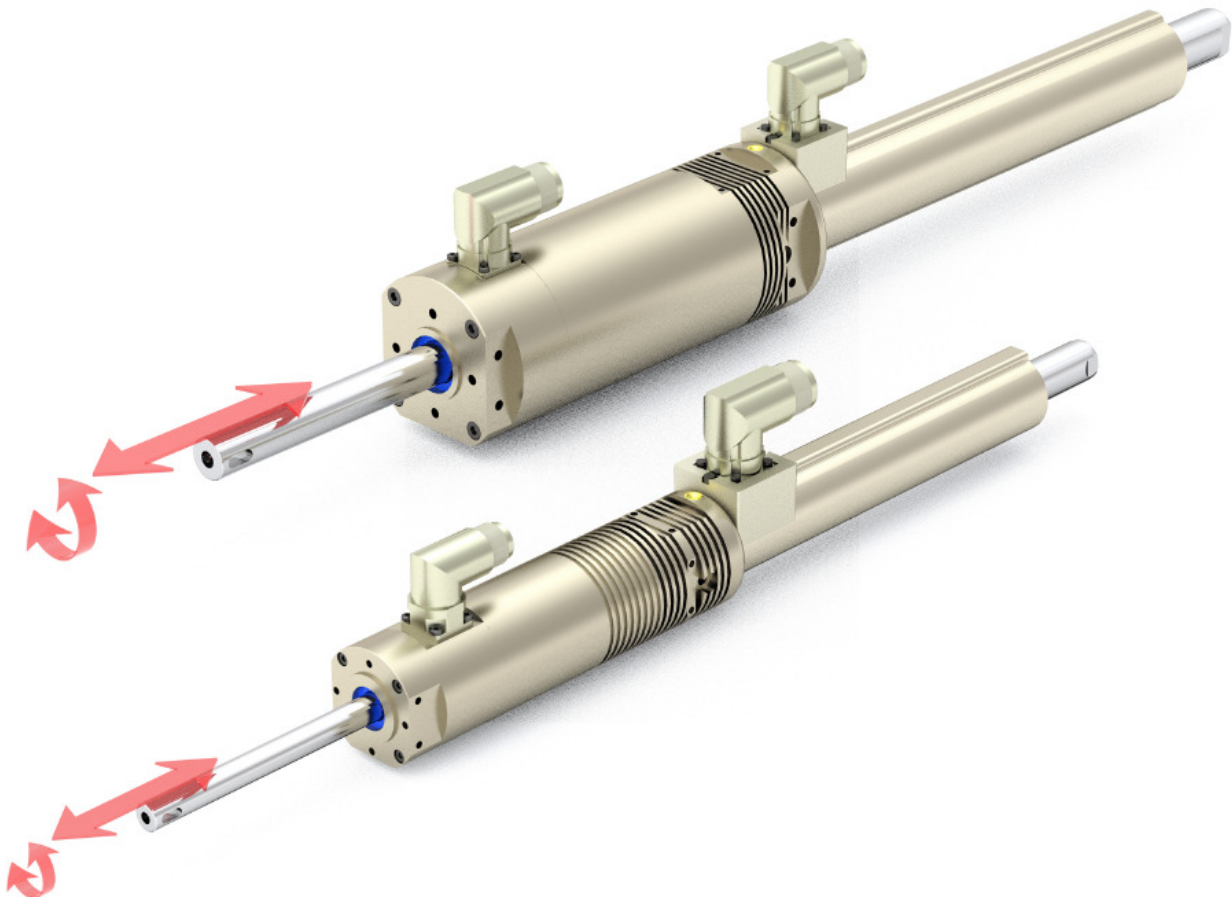
Picture: LinMot-Talk - Oscilloscope

Notes on operating the Linear-Rotary Motor

During operation the linear motor must not be allowed to strike the upper or lower internal stops, as this can cause damage to the Linear-Rotary motor. The internal stops can be used for homing purposes, but the homing speed must not exceed the value of 0.01 m/s.

The Linear-Rotary motor is designed to execute linear and rotary motions simultaneously. This means that the rotary and linear motions can be executed simultaneously and completely independent of one another. If the application permits, however, the following guidelines should be followed for physical technical reasons:

Rotary motions should be performed with the linear axis retracted if possible, as this can reduce vibrations and mechanical loads due to asymmetrical load mass. Execute rotary and linear motions sequentially, which makes the load on the electrical power source more uniform and thus leads to greater energy efficiency.



Stainless steel variant of the PR01-84x80-SSC series

In addition to standard Linear-Rotary Motors, variants made of chromium steel are available in the PR01-84 series. Both the front flange and the rotary axis are made of chromium steel 1.4404 (V4A). The rotary axis is sealed against the stator.

For maintenance purposes, the front Part of the flange, where the seals and guides are located, can be removed. The Linear-Rotary motor does not need to be removed from the system in order to remove the flange.



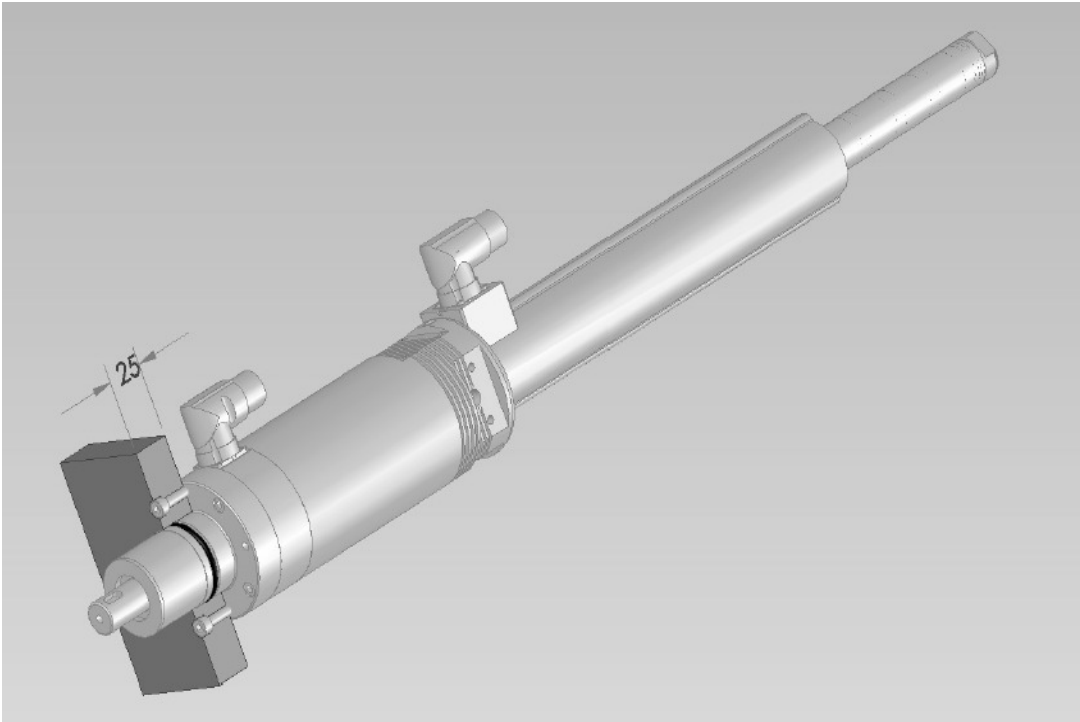
Picture: Linear-Rotary Motor PR01-84x80-SSC-C/ 48x240F-C-150



Picture: Front part of the flange, includes sealing and bearings, can be replaced easily.

Notes on application of the PR01-84x80-SSC series

The design of the machine should consist of a 'normal' and a 'stainless steel' zone. The 'stainless steel zone' can be cleaned accordingly during operation. The two zones are separated by a stainless steel plate. The flange of the Linear-Rotary motor, also made of stainless steel, is inserted through this steel plate. The cylindrical front end of the flange has a groove with an O-ring that acts as a seal between the 'normal' and the stainless steel zones.



Picture: O-ring for sealing between 'normal' and 'stainless steel' zone .

Notes on cleaning the SSC variants

The rotary axis should not be set in motion while the line is being cleaned. It should be either fully extended or fully retracted. The chromium steel zone has IP65 class protection. The seals are made from FKM fluorelastomer and 85 AU 20991 polyester-urethane rubber.

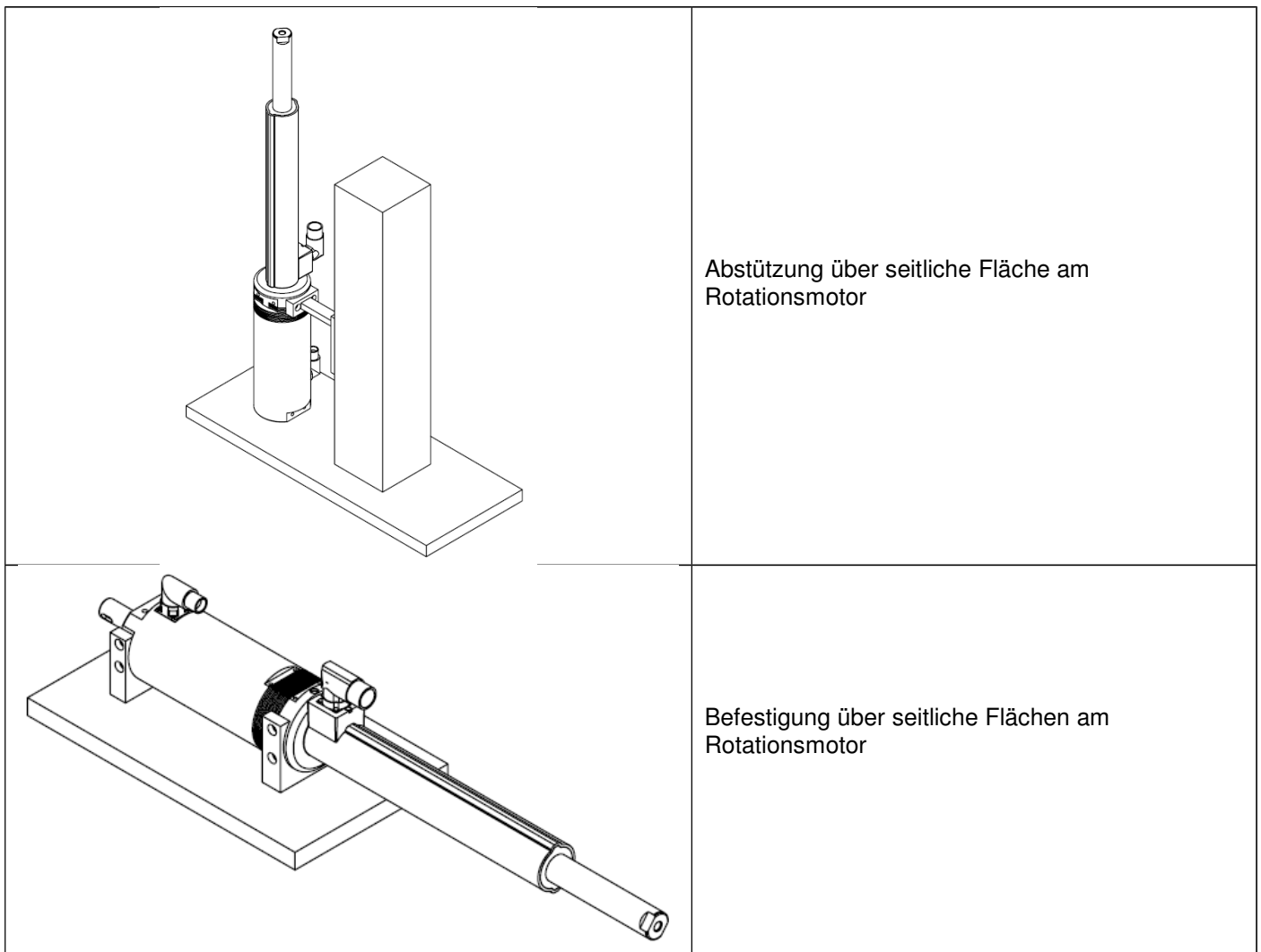
Example: Linear-Rotary motors on a turntable



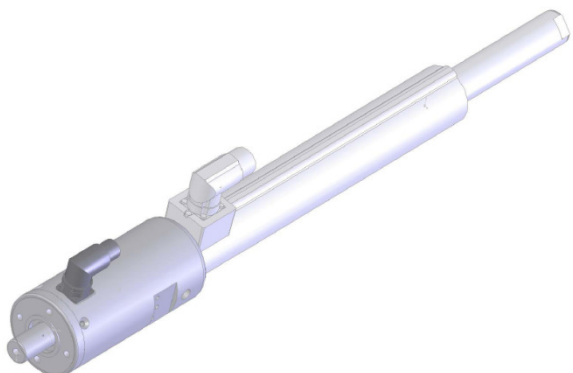


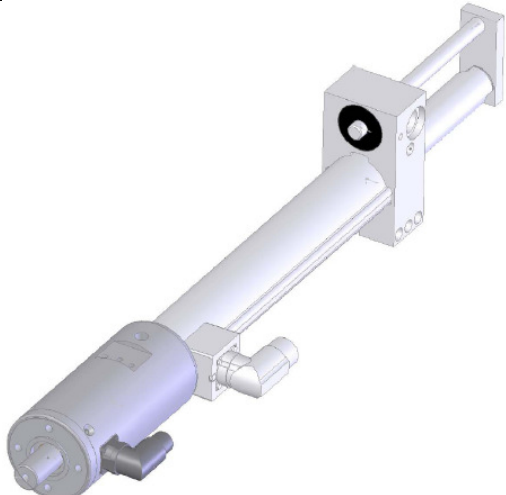
Picture: Typical arrangement of a system with Linear-Rotary motors and drives on a turntable. The lowest turntable is the divider between the 'stainless steel' and 'normal' zones. The drives for actuating the motors are located above the Linear-Rotary motors.

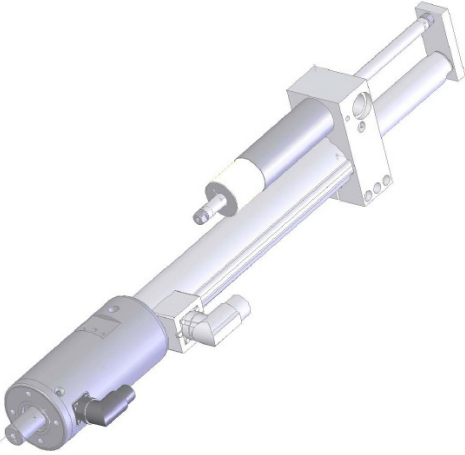
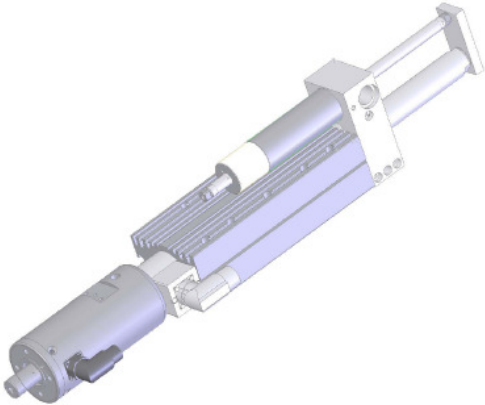
Installing Linear-Rotary Motors

The PR01 Linear-Rotary motors have a center fit on the front side so that the rotary axis can be precisely aligned. Due to the narrow construction of the Linear-Rotary motors, it is often not sufficient to mount them by the front bolts alone (due to vibration or lateral loads). An additional support is then necessary. The following sketches show examples of the various possibilities. The chapter on installation drawings contains detailed dimensions.



Drawings of Linear-Rotary motors with accessories

	<p>Linear-Rotary Motor without accessories</p>
	<p>Linear-Rotary Motor Motor with whipper on the backside</p>
	<p>Linear-Rotary Motor with fan kit for cooling of the Rotary Motor</p>
	<p>Linear-Rotary Motor Motor with Multifunction flange and pneumatic brake</p>

	<p>Linear-Rotary Motor with Multifunction flange and MagSpring</p>
	<p>Linear-Rotary Motor with Multifunction flange, MagSpring mounting and cooling flange</p>

CAD-Files

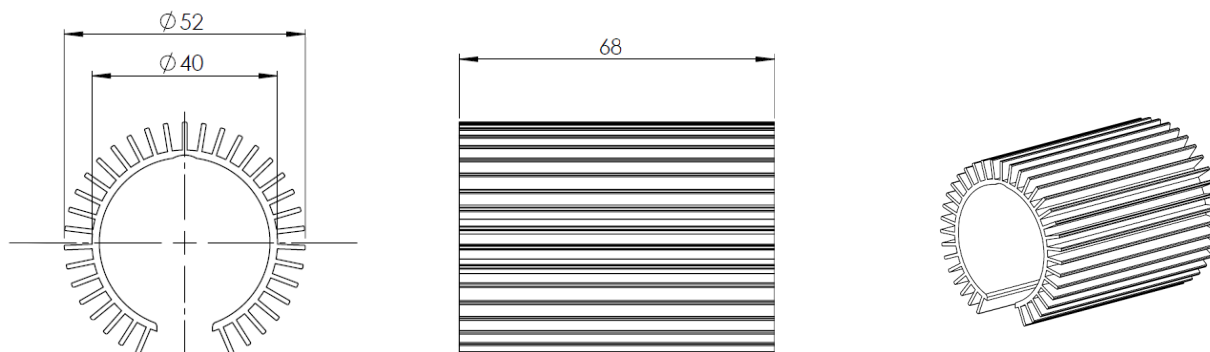
CAD files and STEP files can be downloaded from the CAD download area on the webpage at www.LinMot.com.

Accessories

Heat sinks for linear motors

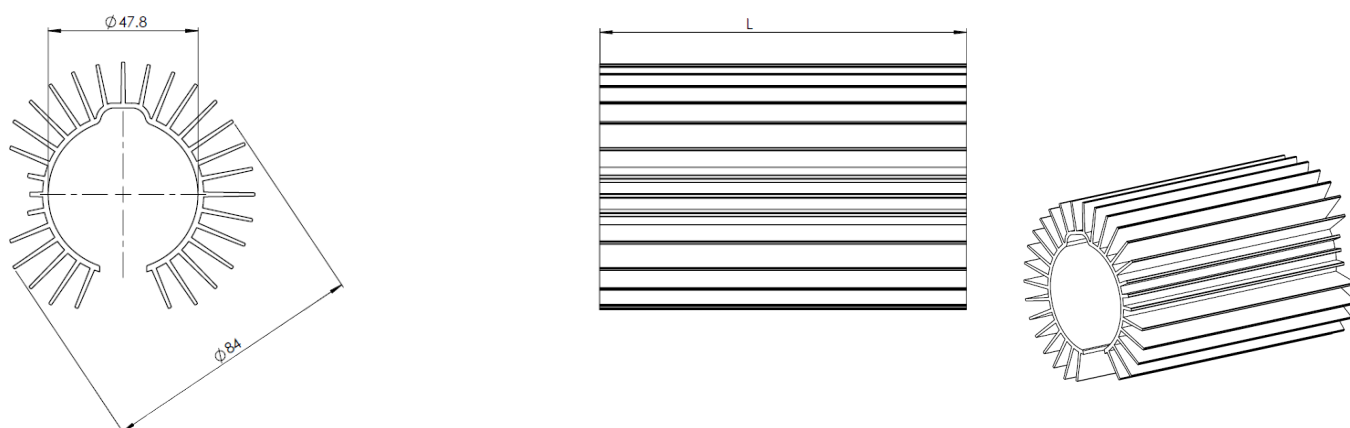
The following heat sinks, in various lengths, help to cool the linear motor.

Option heat sink for linear motor PS01-37x120F-HP-C-..



Article	Article	L [mm]		Mass [kg]	Part- No
PC01-37x68	heat sink	68		0.07	0160-2131

Option heat sink for linear motor PS01-48x240F-C-... and PS01-48x360F-C-...

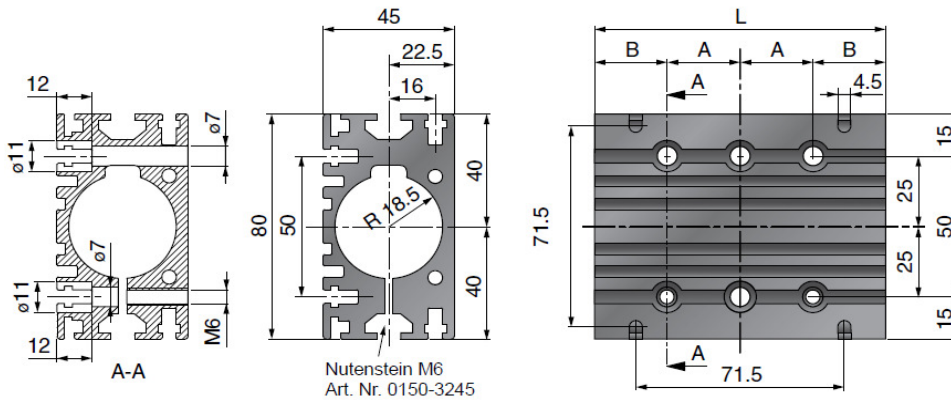


Article	Article	L [mm]		Mass [kg]	Part- No
PC01-48x100	heat sink	99		0.21	0160-2145
PC01-48x117	heat sink	117		0.25	0160-2138

Mounting and cooling flange for linear motors

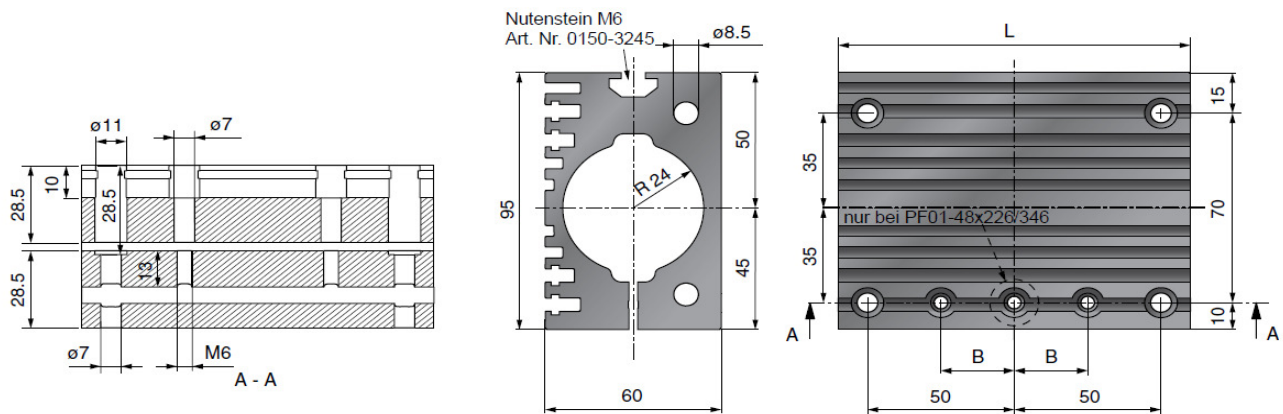
The following flanges, in various lengths, are used to mount the Linear-Rotary motor as well as cool the linear motor.

Option mounting and cooling flange for Linear Motor PS01-37x120F-HP-C..



Article	Article	L [mm]	A [mm]	B [mm]	Mass [kg]	Part- No
PF02-37x100	Flange 37x100 mm	100	25	25	0.45	0150-1998
PF02-37x140	Flange 37x140 mm	140	50	20	0.63	0150-2105

Option mounting and cooling flange for Linear Motors PS01-48x240F-C... PS01-48x360F-C...



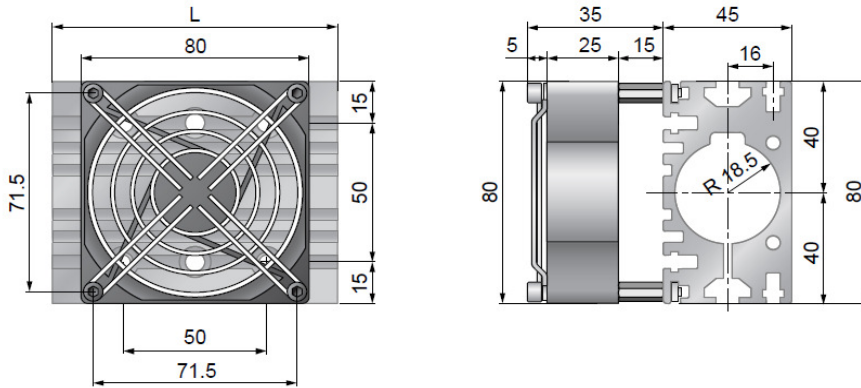
Article	Article	L [mm]	B [mm]	Mass [kg]	Part- No
PF01-48x120	Flange 48x120 mm	120	25	0.97	0150-1976
PF01-48x226	Flange 48x226 mm	226	85	1.855	0150-2108

Fan kits

Fan kits are available for both the rotary motor and the linear motor. In general, forced ventilation allows the continuous torque or force to be increased (see design program).

Fan kits for Linear Motor

Option: Fan for Linear Motor PS01-37x120F-HP-C-..

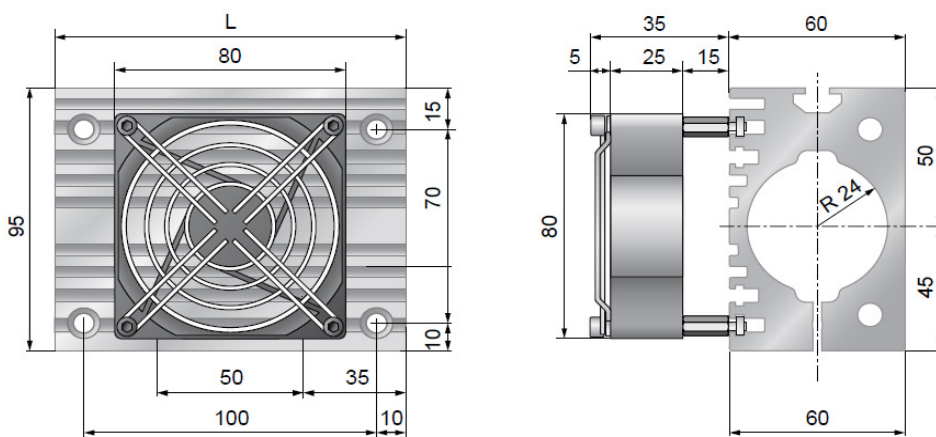


Connection: 24VDC / 120mA

Article	fan for	Part-No
HV01-37/48*	Fan Kit for H01-37, B01-37 and PF02-37	0150-5051

* order separate mounting and cooling Flange PF02-37x100 or PF02-37x140

Option: Fan for Linear Motor PS01-48x240F-C-.. / PS01-48x360F-C-...



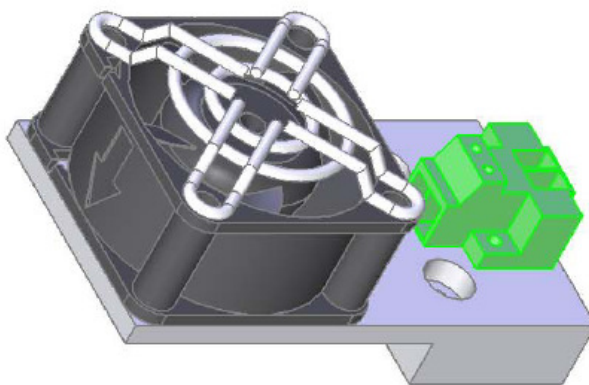
Connection: 24VDC / 120 mA

Article	fan for	Part-No
HV01-37/48*	Fan Kit for H01-48, B01-48 and PF01-48	0150-5051

* order separate mounting and cooling Flange PF01-48x120 or PF01-48x226

Fan kit for Rotary Motors

Option: fan for Rotary Motor model 52



Connection: red= 24Vdc blue or black=GND

Article	fan for	Mass	Part-No
RS01-VA52-Kit	Rotary Motor RS01-52	0.075 kg	0150-1599

Option: fan for Rotary Motor model 84

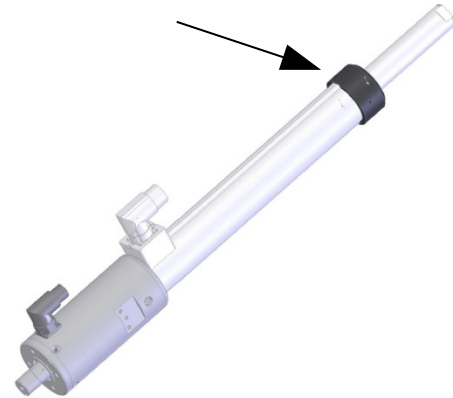
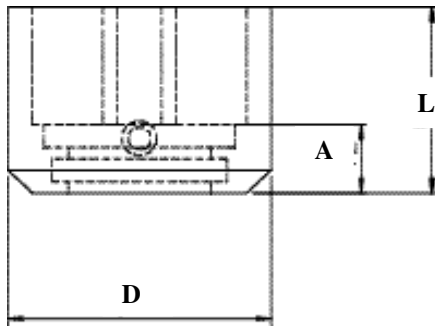
Connection: red= 24Vdc blue or black=GND



Article	fan for	Mass	Part-No
RS01-VA84-Kit	Rotary Motor RS01-84	0.03 kg	0150-1600

Wipers

The rotary axis is protected against dirt and loss of grease by a wiper on the front side. The back side of the linear motor slider should also be protected by means of a wiper. The options 'wiper' and 'multifunctional flange' are available for this.

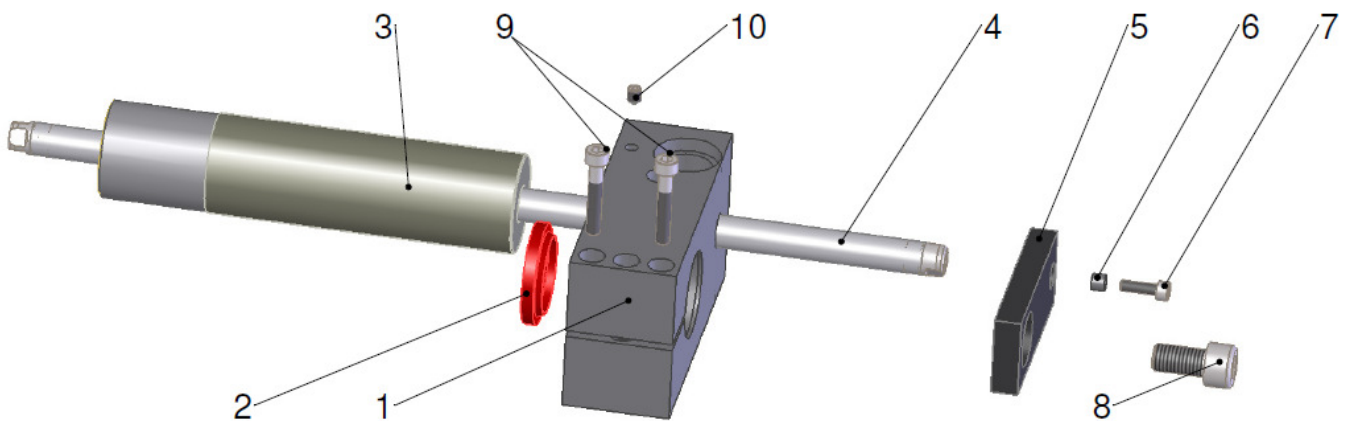


	Article	Part- No.	D	L	A	Mass
Wipers for model 52 PS01-37x120F-HP-C-...	PA01-37/20-F	0150-3126	45mm (1.77in)	32mm (1.26in)	12mm (0.47in)	0.028kg
Wipers for model 84 PS01-48x240F-C-... PS01-48x360F-C-...	PA01-48/28-F	0150-3127	58mm (2.28in)	32mm (1.26in)	14mm (0.55in)	0.056kg

Multifunction flange and MagSpring

The multifunctional flange can perform one or more of the following functions:

- Wiper for the linear motor slider
- Mounting a MagSpring spring for load compensation
- Mounting a pneumatic brake
- Mounting element for the Linear-Rotary motor



Effective force of the MagSpring

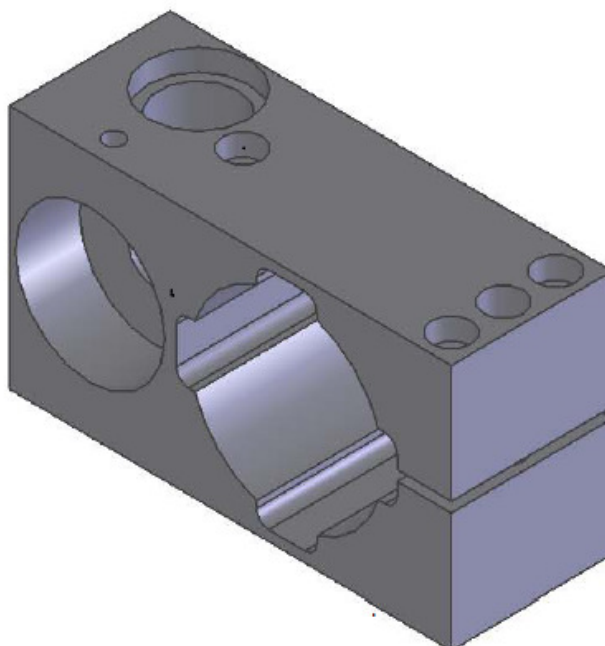
Depending on the orientation of the MagSpring slider, the effect of the force can be modified. This means that the MagSpring pulls the rotary axis of the Linear-Rotary motor inward, or pushes it outward.



Top: 'Pushing' MagSpring
Bottom: 'Pulling' MagSpring

		Article Part.-Nr for model 52	Article Part.-Nr for model 84	Article Part.-Nr for model 84 -L (version with hollow shaft)
1	Multifunction flange	MF01-PR01-52x40-37 0250-2319	MF01-PR01-70x40-37 0250-2318	MF01-PR01-70x40-37 0250-2318
2	Wiper	(delivered with Pos 1) PAW01-20 Part.-No. 0150-3112	(delivered with Pos 1) PAW01-28 Part.-No. 0150-3133	(delivered with Pos 1) PAW01-28 Part.-No. 0150-3133
3	MagSpring Stator	22 N force MS01-20x140 Part.-No. 0250-2201 40 N / 60 N force MS01-37x155 Part.-No. 0250-2204	MS01-37x155 Part.-No. 0250-2204	MS01-37x155 Part.-No. 0250-2204
4	MagSpring Slider	22 N force ML01-12x335/160-20 Part.-No. 0250-2320 40 N force ML01-12x350/160-10 Part.-No. 0250-2333 60 N force: ML01-12x335/160-20 Part.-No. 0250-2320	60 N force ML01-12x350/160-20 Part.-No. 0250-2321	60 N force ML01-12x350/160-20 Part.-No. 0250-2321
5	MagSpring adapter	MA01-PR01-52x40-37 Part.-No. 0250-0121	MA01-PR01-70x40-37 Part.-No. 0250-0120	MA01-PR01-70x40-37-L Part.-No. 0250-0124
6	Spacer sleeve	MA01-PR01-Huelse4,9 Part.-No. 0250-0123 (delivered with Pos 5)	MA01-PR01-Huelse4,9 Part.-No. 0250-0123 (delivered with Pos 5)	MA01-PR01-Huelse4,9 Part.-No. 0250-0123 (delivered with Pos 5)
7	Socket screw	M5x14 / ISO4762 (delivered with Pos 5)	M5x14 / ISO4762 (delivered with Pos 5)	M5x14 / ISO4762 (delivered with Pos 5)
8	Socket screw or pneumatic fitting	M8x18 / DIN 7984 (delivered with Pos 5)	M10x20 /DIN 7984 (delivered with Pos 5)	10mm / ½" (delivered with Pos 5)
9	Socket screw	M5x30 / ISO4762 (delivered with Pos 1)	M5x35 / ISO4762 (delivered with Pos 1)	M5x35 / ISO4762 (delivered with Pos 1)
10	Set screw (with cup point)	M5x6 / ISO 4029 (delivered with Pos 1)	M5x12 / ISO 4029 (delivered with Pos 1)	M5x12 / ISO 4029 (delivered with Pos 1)

Multifunction flange



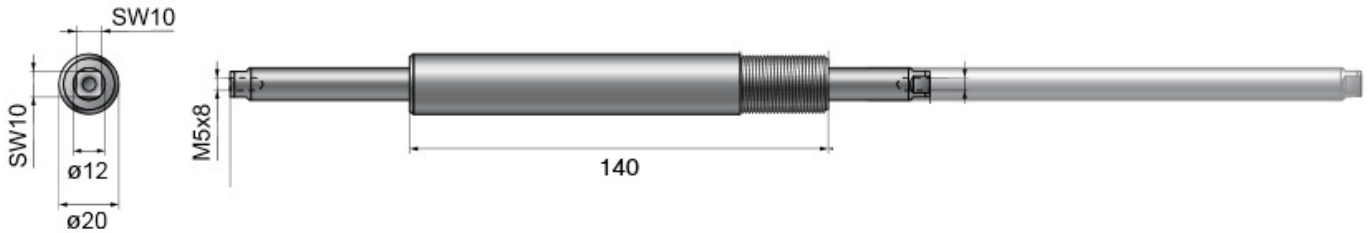
Material: Al anodized	Article	Part- No.	L	B	H	Mass
Multifunction flange for model 52 and MagSpring MS01-20-140	MF01-PR01-52x40-20	0250-2322	100 mm	40 mm	50 mm	0.33 kg
Multifunction flange for model 52 and MagSpring MS01-37-155	MF01-PR01-52x40-37	0250-2319	100 mm	40 mm	50 mm	0.31 kg
Multifunction flange for model 84 and MagSpring MS01-37-155	MF01-PR01-70x40-37	0250-2318	110 mm	40 mm	60 mm	0.39 kg

Adapter for mounting of MagSpring-Slider

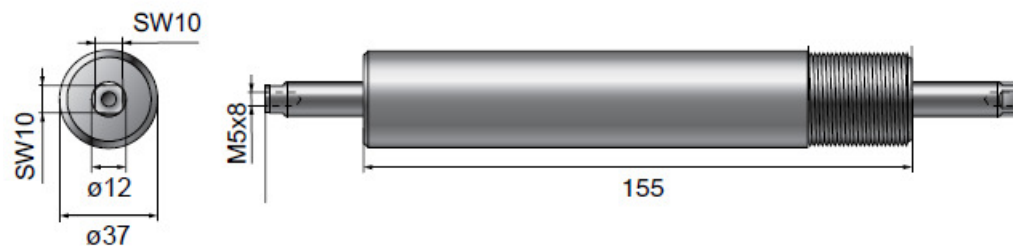


Material: Al anodized	Article	Part- No.	L	B	H	Mass
Adapter for model 52	MA01-PR01-52x40-37	0250-0121	71,5 mm	30 mm	10 mm	0.034 kg
Adapter for model 84 (version with solid shaft)	MA01-PR01-70x40-37	0250-0120	65 mm	22 mm	10 mm	0.052 kg
Adapter for model 84-L (version with hollow shaft)	MA01-PR01-70x40-37-L	0250-0124	65 mm	22 mm	10 mm	0.052 kg

Magnetic spring *MagSpring®*



Dimension MagSpring Stator MS01-20x140



Dimension MagSpring Stator MS01-37x155

MagSpring Stator	Force (depending on slider)	Article	Part- No.	L	D	Mass
model 52	22 N	MS01-20x140	0250-2201	140 mm	20 mm	0.18 kg
model 52	40N / 60 N	MS01-37x155	0250-2204	155 mm	37 mm	0.88 kg
model 84	60 N	MS01-37x155	0250-2204	155 mm	37 mm	0.88 kg

MagSpring Slider	Force	Article	Part- No.	L	D	Mass
model 52	22 N	ML01-12x350/160-20	0250-2321	350 mm	12 mm	0.173 kg
model 52	40 N	ML01-12x350/160-10	0250-2333	350 mm	12 mm	0.175 kg
model 52	60 N	ML01-12x350/160-20	0250-2321	350 mm	12 mm	0.173 kg
model 84	60 N	ML01-12x350/160-20	0250-2321	350 mm	12mm	0.175 kg

Example:

Linear-Rotary Motor model 52 with MagSpring of force 40N:

Stator: MS01-37x155

Slider: ML01-12x350/160-10

Linear-Rotary Motor model 52 with MagSpring of force 60N:

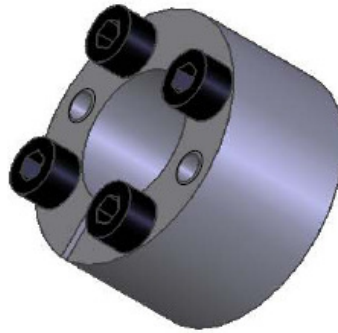
Stator: MS01-37x155

Slider: ML01-12x350/160-20

Load attachment

Because both a rotary and a linear motion are performed, the type of attachment must be selected such that it can support both torques and longitudinal forces.

Clamp sets that enable fast, easy mounting of the load Mass are available as accessories. They provide a force-fit connection that is created by two conical rings. This completely eliminates the need for inserting lugs or producing grooves.



Technical data

RS01-SS12x22 :

Tmax: 20Nm Fmax: 3kN

Tolerance for fit D: 22H9 mm

RS01-SS20x38:

Tmax: 160Nm Fmax: 15kN

Tolerance for fit D: 38H9 mm

	Article	Part- No.	d	D	L	Lges	Mass
Clamp set for model 52	RS01-SS12x22	0230-0101	12 mm	22 mm	13 mm	15.5 mm	22g
Clamp set for model 84	RS01-SS20x38	0230-0100	20 mm	38 mm	21 mm	26 mm	100g

Connector assignment

Connector assignment Linear Motors

Stecker Typ	C-Connector
	Pin
Phase 1+	A
Phase 1-	B
Phase 2+	C
Phase 2-	D
+5V	E
GROand*	F
Sensor Sinus	G
Sensor Cosinus	H
Temp. Sensor	L
Shield*	Casing

Connector assignment Rotary Motors

Stecker Typ	C oder R-Connector
	Pin
Phase A	1
Phase B	2
Phase C	3
NC	4
+5V	A
GROand*	B
Sensor Sinus	C
Sensor Cosinus	D
Temp. Sensor	E
Shield*	Casing

Extension cables are double shielded. The two shields of the extension cables must not be connected together: The inner shield of the extension cables is used as GROand and must be connected to GROand*, only the outer shield must be connected to SHIELD* of the connectors.

Caution: Do not connect or disconnect motor when there is power on the controller.

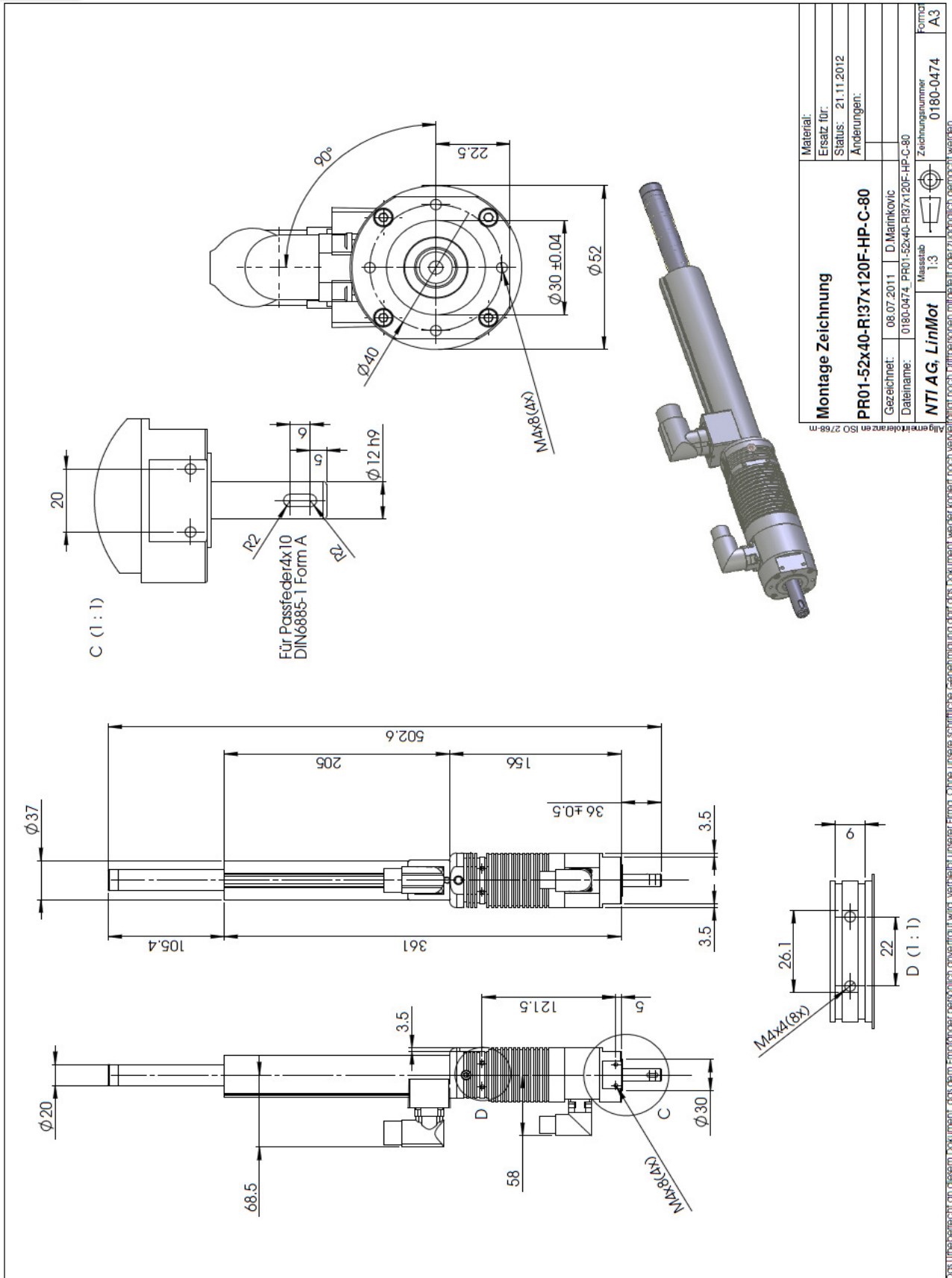


Double-check each connection!

Wrong connections can destroy controller and stator!

Drawings

Drawing PR01-52x40-R/37x120F-HP-C-80



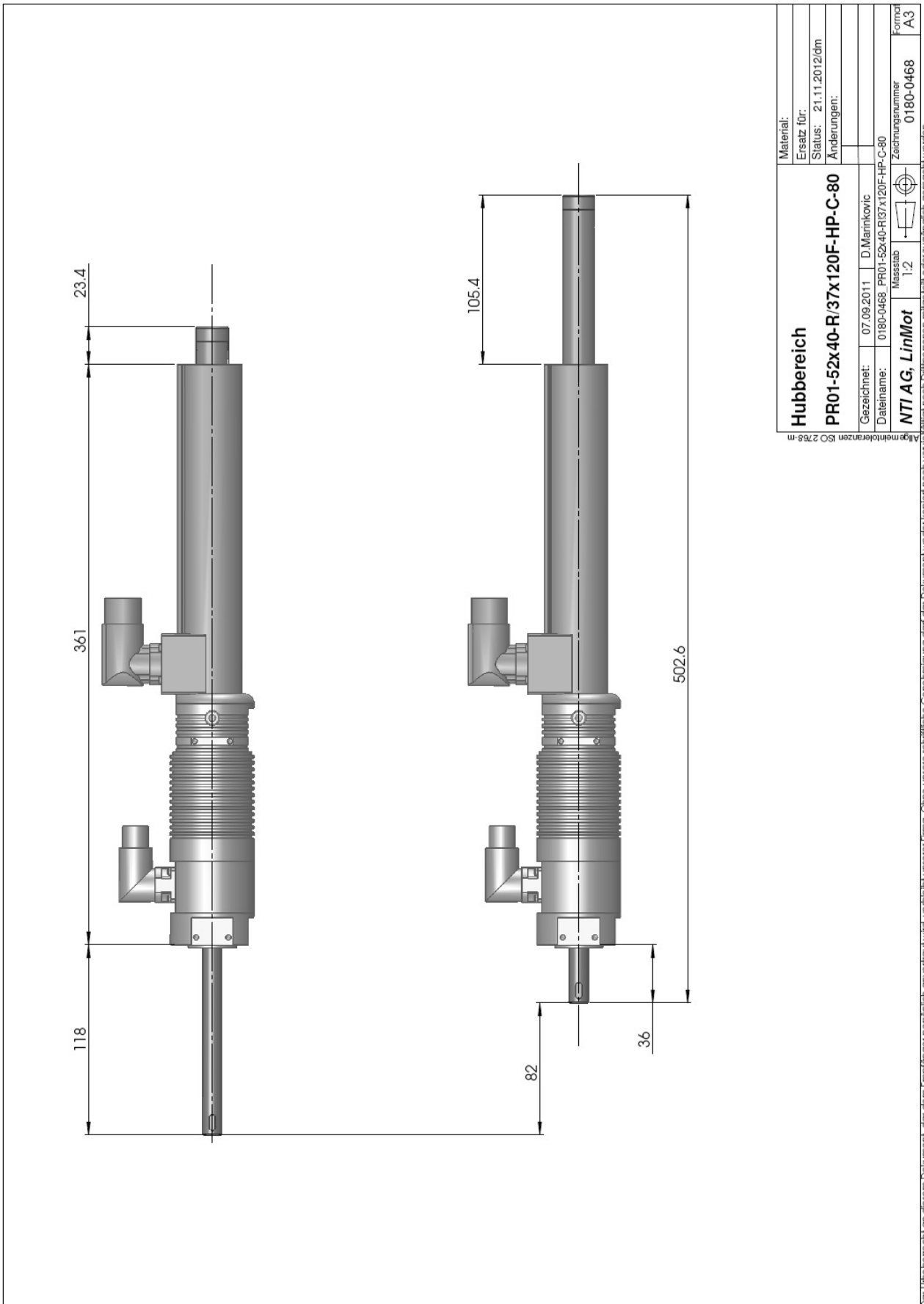
Montage Zeichnung	
PR01-52x40-R/37x120F-HP-C-80	
Gezeichnet:	D. Marinkovic
Dateiname:	0180-0474_PR01-52x40-R/37x120F-HP-C-80
NTI AG, LinMot	Masstab 1:3
Zeichnungsnummer	0180-0474
Format	A3

Alle Rechte vorbehalten. Das ist ein eingetragenes Dokument. Die Weitergabe dieses Dokuments ist ohne schriftliche Genehmigung der Firma LinMot. Die Weitergabe dieses Dokuments ist ohne schriftliche Genehmigung der Firma LinMot. Die Weitergabe dieses Dokuments ist ohne schriftliche Genehmigung der Firma LinMot.

LinMot Linear-Rotary Motors



Stroke range PR01-52x40-R/37x120F-HP-C-80

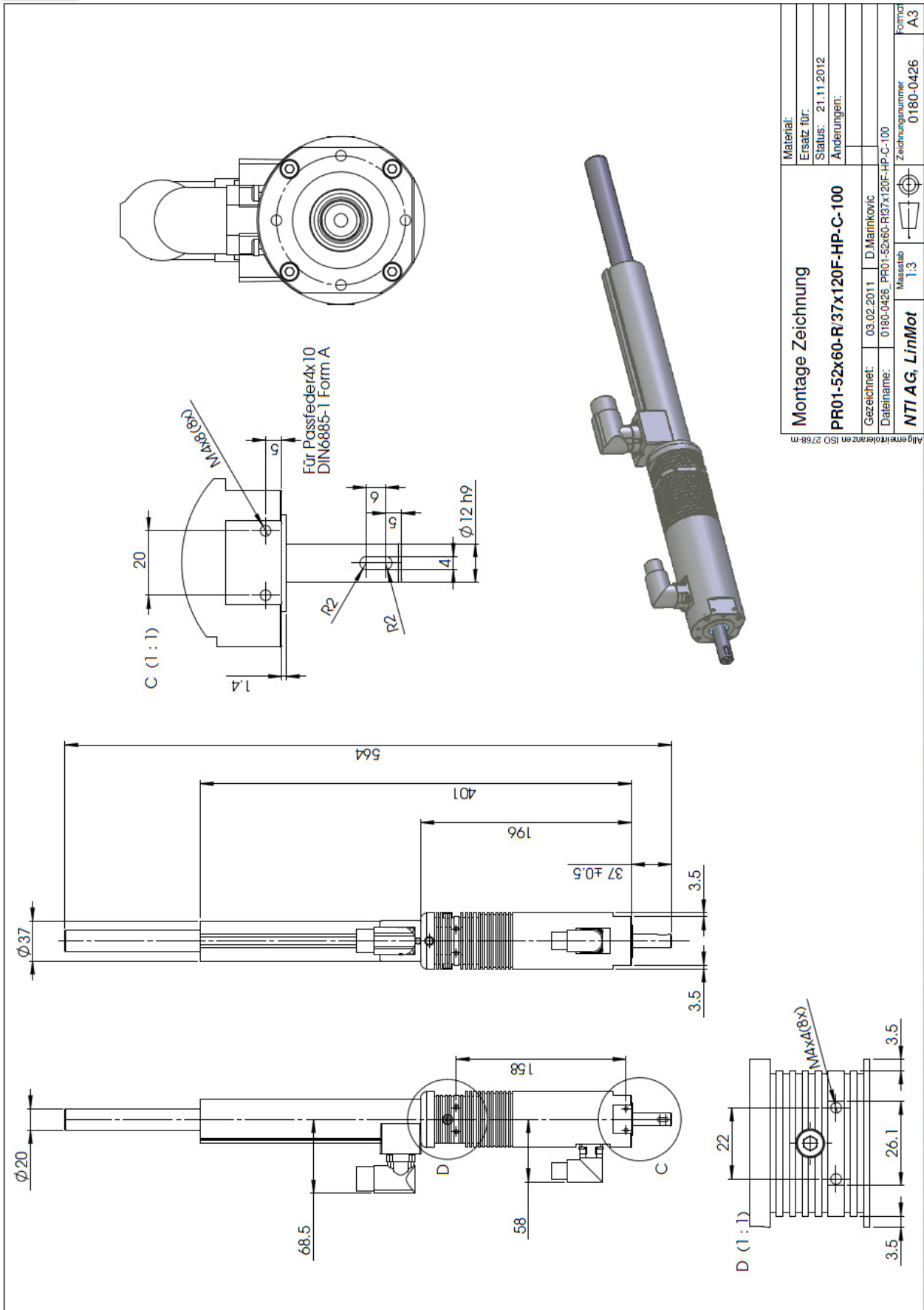


Hubbereich		Material:	
PR01-52x40-R/37x120F-HP-C-80		Ersatz für:	
Gezeichnet: 07.09.2011 D. Marnkovic		Status: 21.11.2012/dm	
Dateiname: 0180-0468_PR01-52x40-R/37x120F-HP-C-80		Änderungen:	
NTI AG, LinMot		Zeichnungsnummer	
Maststab 1:2		0180-0468	
Form		A3	

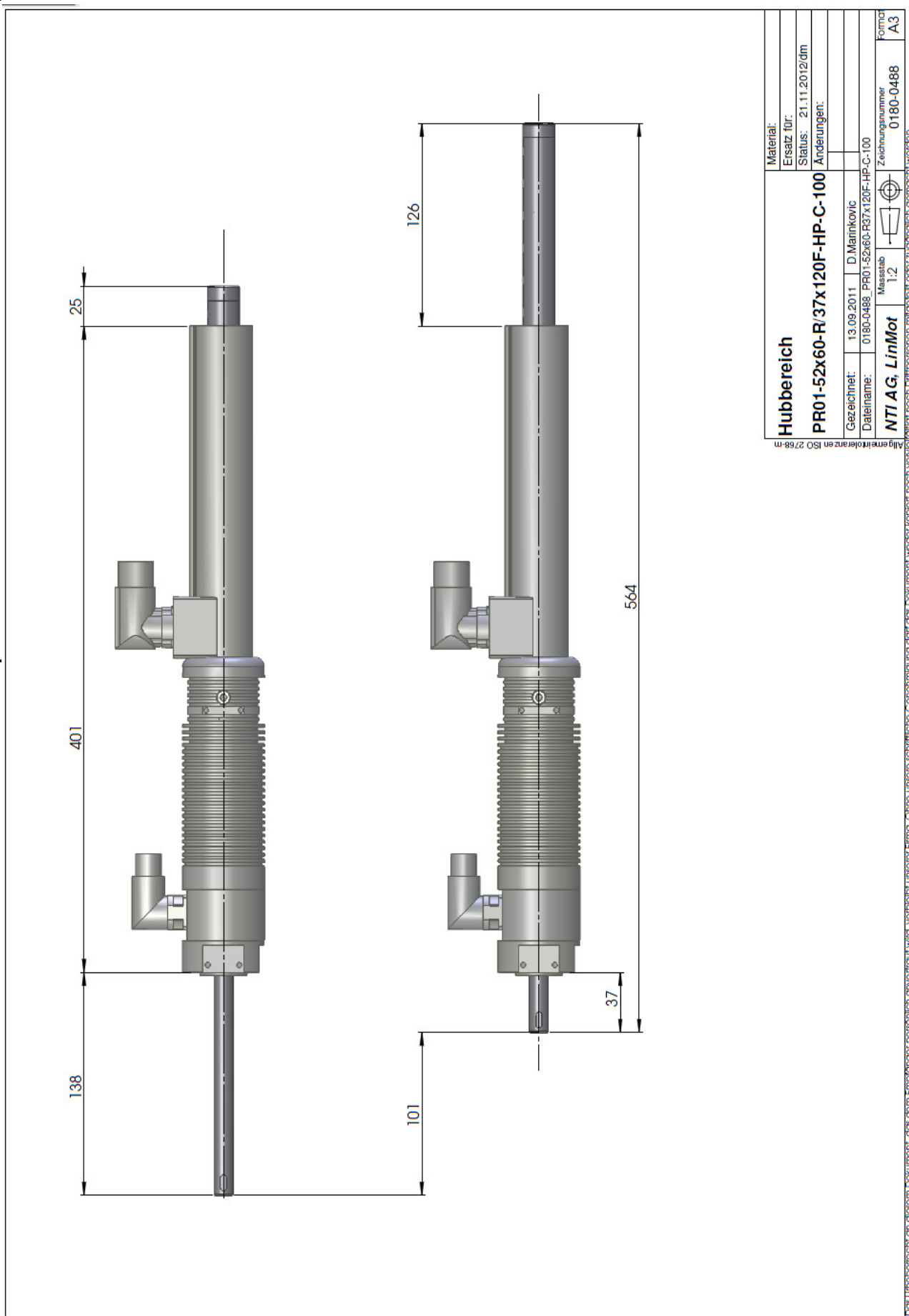
Alle mehrteiligen ISO 2768-m

Das LinMot-Bereich an diesem Dokument, das dem Empfänger persönlich anvertraut wird, verbleibt unserer Firma. Ohne unsere schriftliche Genehmigung darf das Dokument weder kopiert noch veröffentlicht noch Dritten zugänglich gemacht werden.

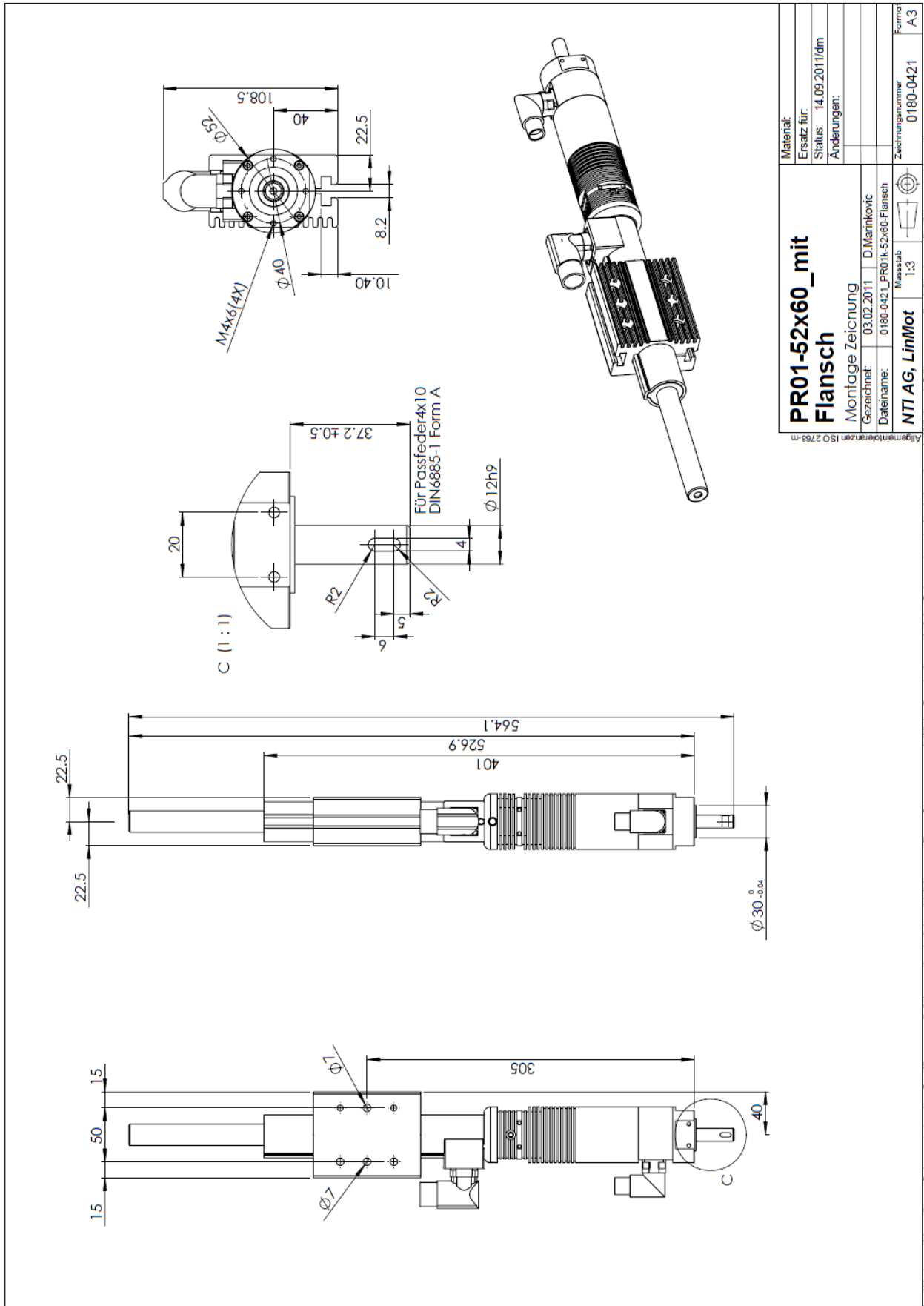
Drawing PR01-52x60-R/37x120F-HP-C-100



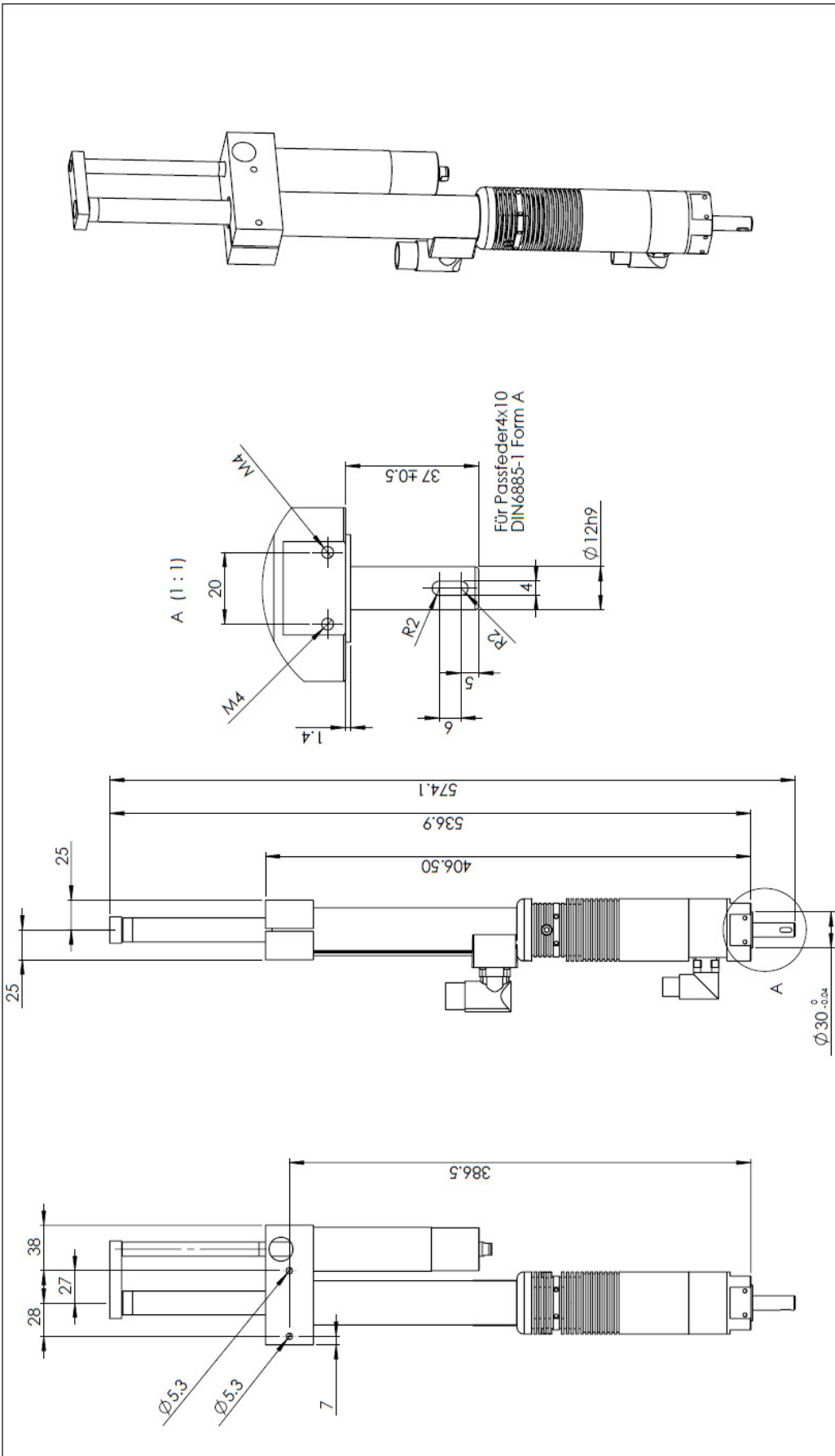
Stroke range PR01-52x60-R/37x120F-HP-C-100



Drawing PR01-52x60-R/37x120F-HP-C-100 with Flange PF02-37x100



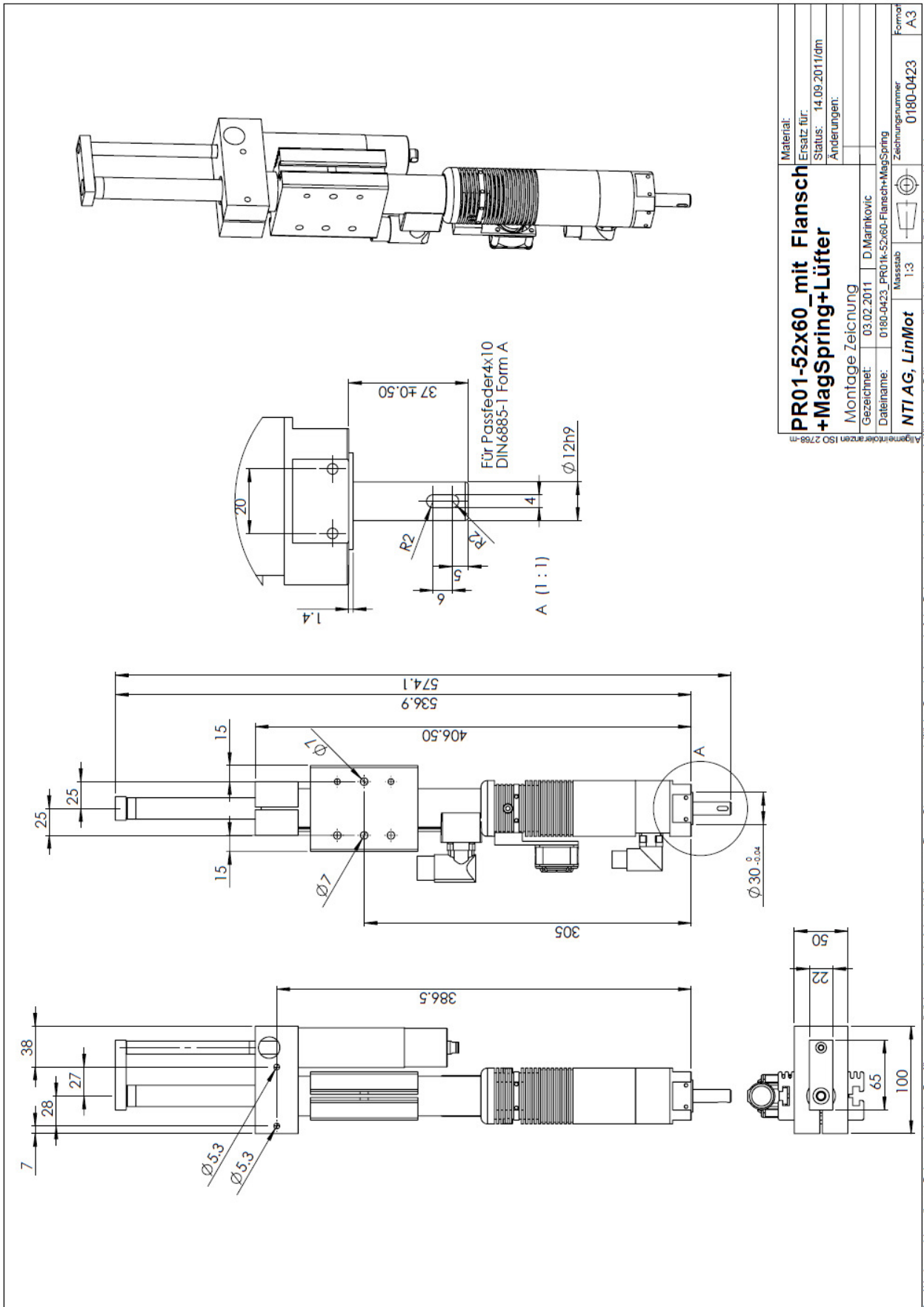
Drawing PR01-52x60-R/37x120F-HP-C-100 with MagSpring



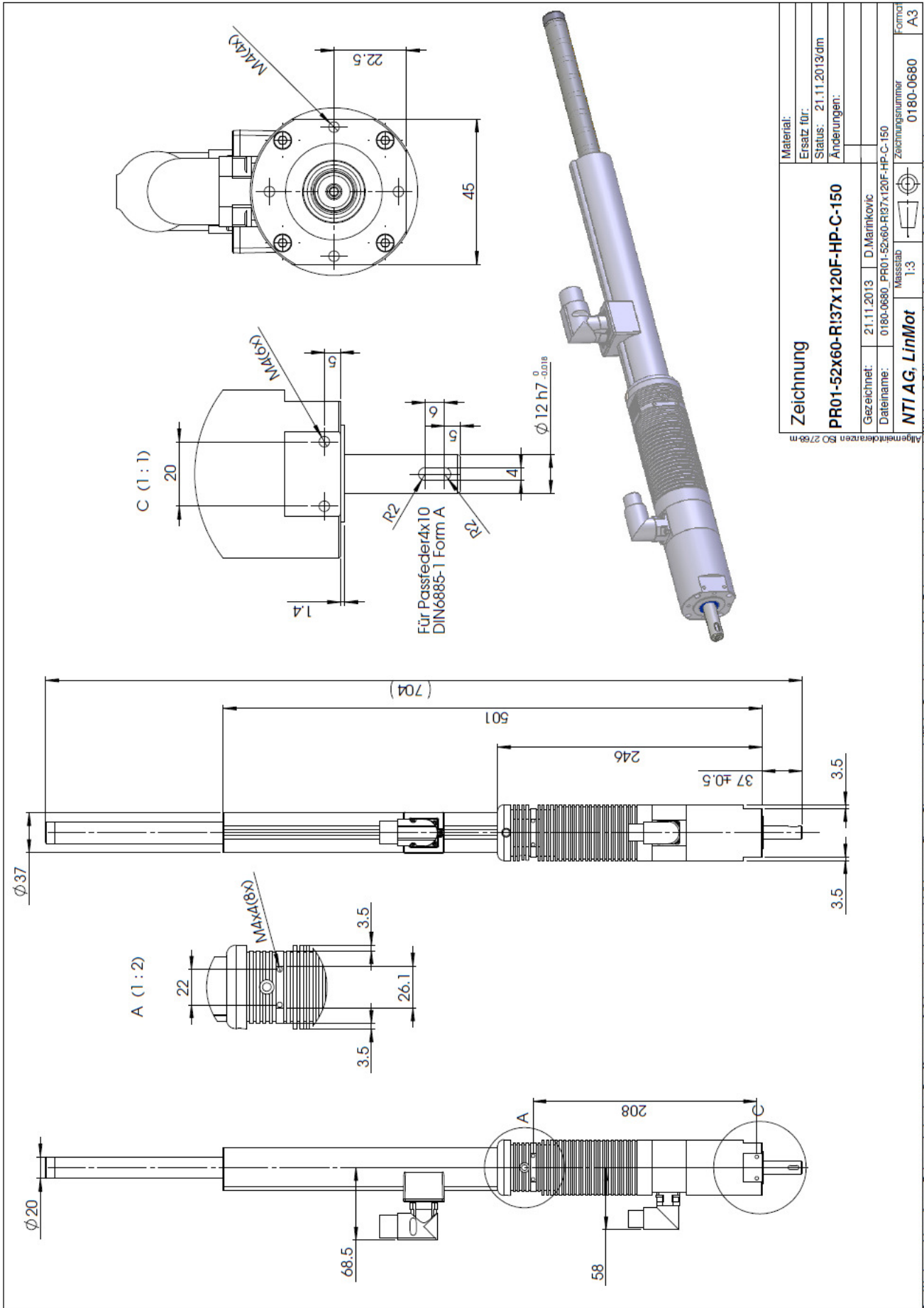
PR01-52x60-mit MagSpring		Material:	
Montage Zeichnung		Ersatz für:	
Gezeichnet: 03.02.2011 D. Marinovic		Status: 14.09.2011/dm	
Dateiname: 0180-0422_PR01-52x60-MagSpring		Änderungen:	
NTI AG, LinMot		Zeichnungsnummer	
Massstab 1:1		0180-0422	
Form A		Form A3	

Das Urheberrecht an diesem Dokument, das dem Empfänger persönlich anvertraut wird, verstößt unserer Firma. Ohne unsere schriftliche Genehmigung darf das Dokument weder kopiert noch vervielfältigt noch Dritten mitgeteilt oder zugänglich gemacht werden.

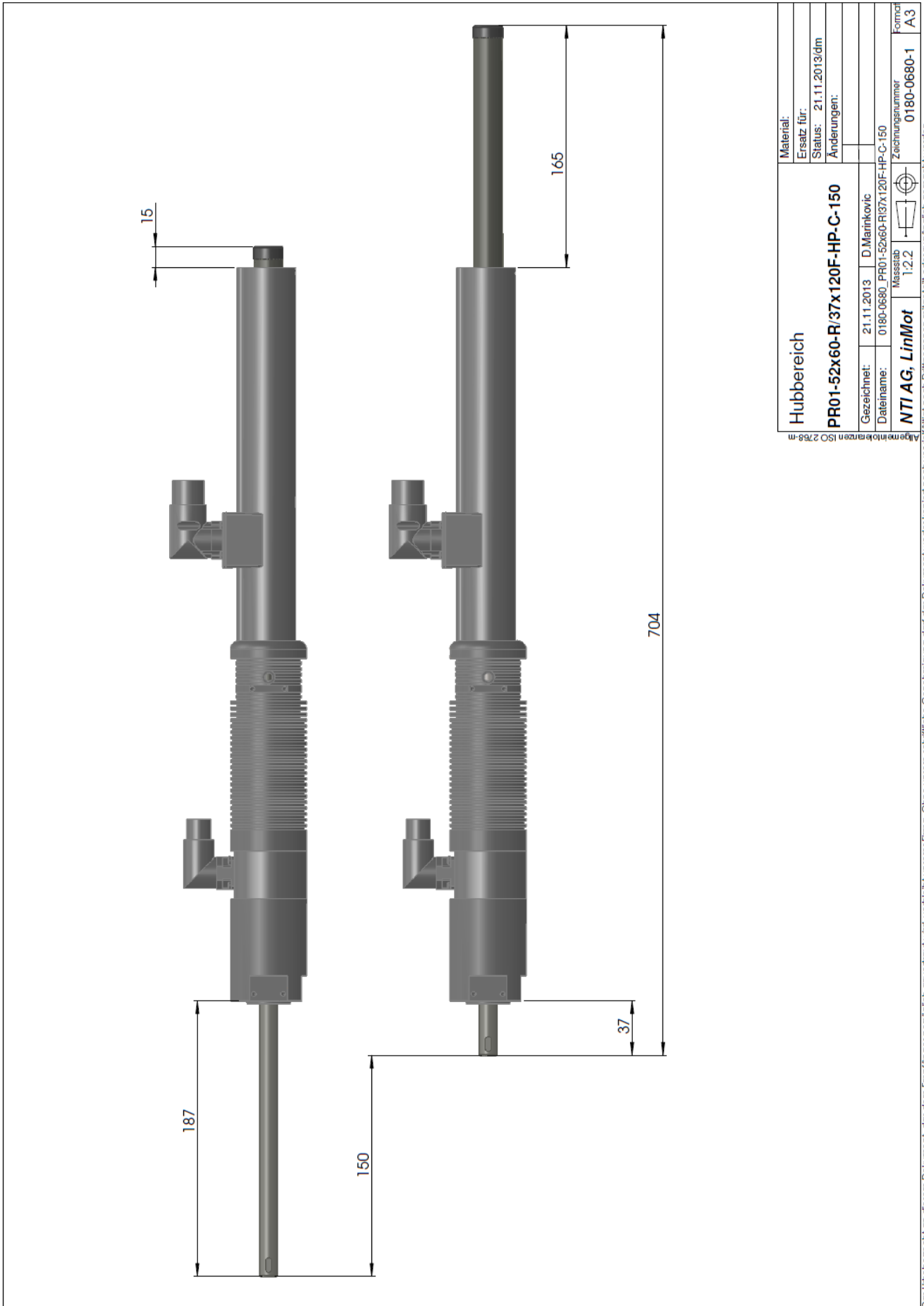
Drawing PR01-52x60-R/37x120F-HP-C-100 Flange/MagSpring/Fan



Drawing PR01-52x60-R/37x120F-HP-C-150



Stroke range PR01-52x60-R/37x120F-HP-C-150



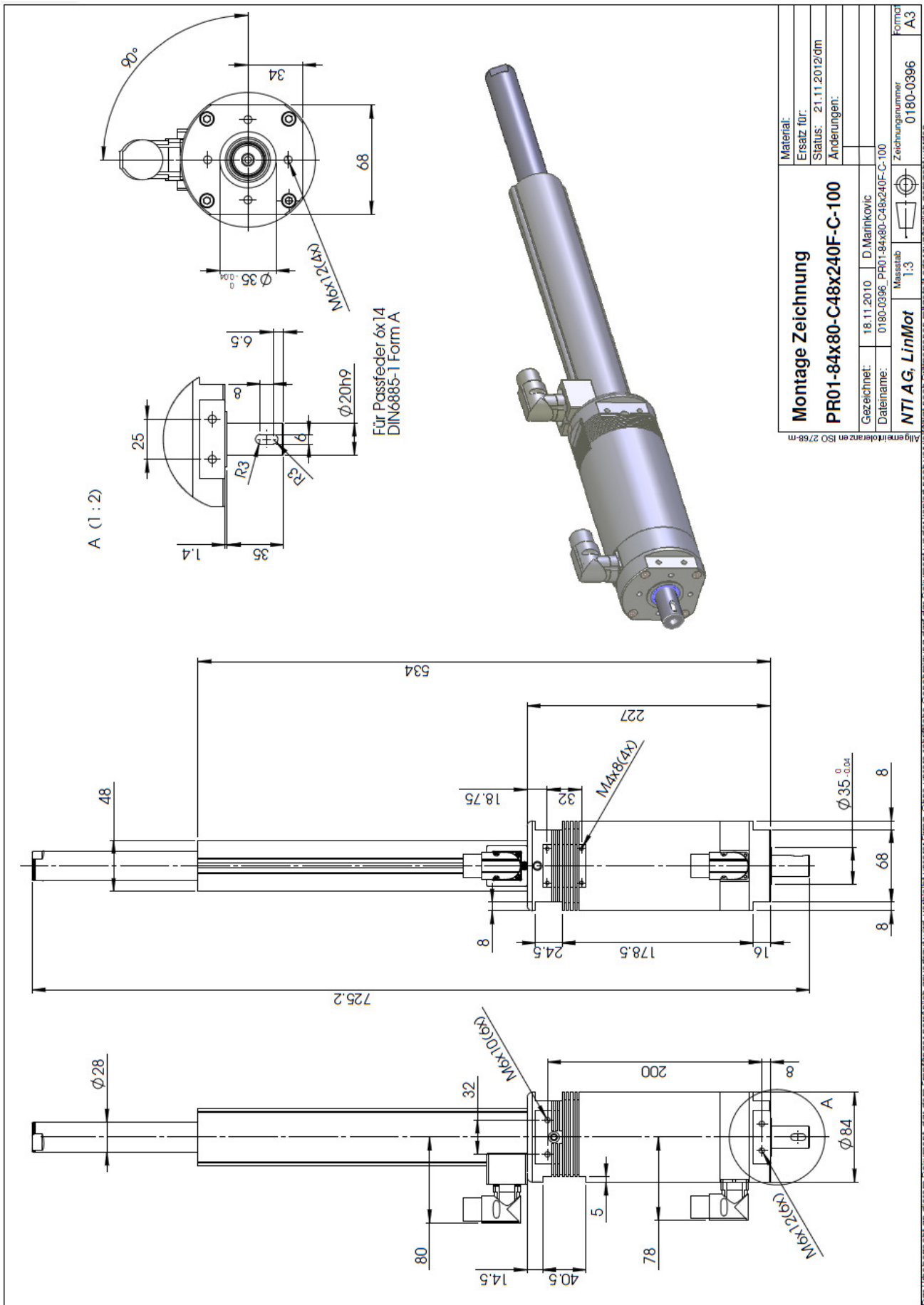
Hubbereich		Material:	
PR01-52x60-R/37x120F-HP-C-150		Ersatz für:	
Gezeichnet:	21.11.2013	D. Mankovic	Status für:
Datenname:	0180-0680_PR01-52x60-R/37x120F-HP-C-150		21.11.2013/dm
NTI AG, LinMot		Änderungen:	
Massestab 1:2.2			
Zeichnungsnummer		0180-0680-1	
Format		A3	

Alle Maße in mm
 Allgemeine Anmerkungen: ISO 2768-m
 Das Urheberrecht an diesem Dokument, das dem Empfänger persönlich anvertraut wird, verbleibt unserer Firma. Ohne unsere schriftliche Genehmigung darf das Dokument weder kopiert noch vervielfältigt oder zugänglich gemacht werden.

LinMot Linear-Rotary Motors



Drawing PR01-84x80-C/48x240F-C-100



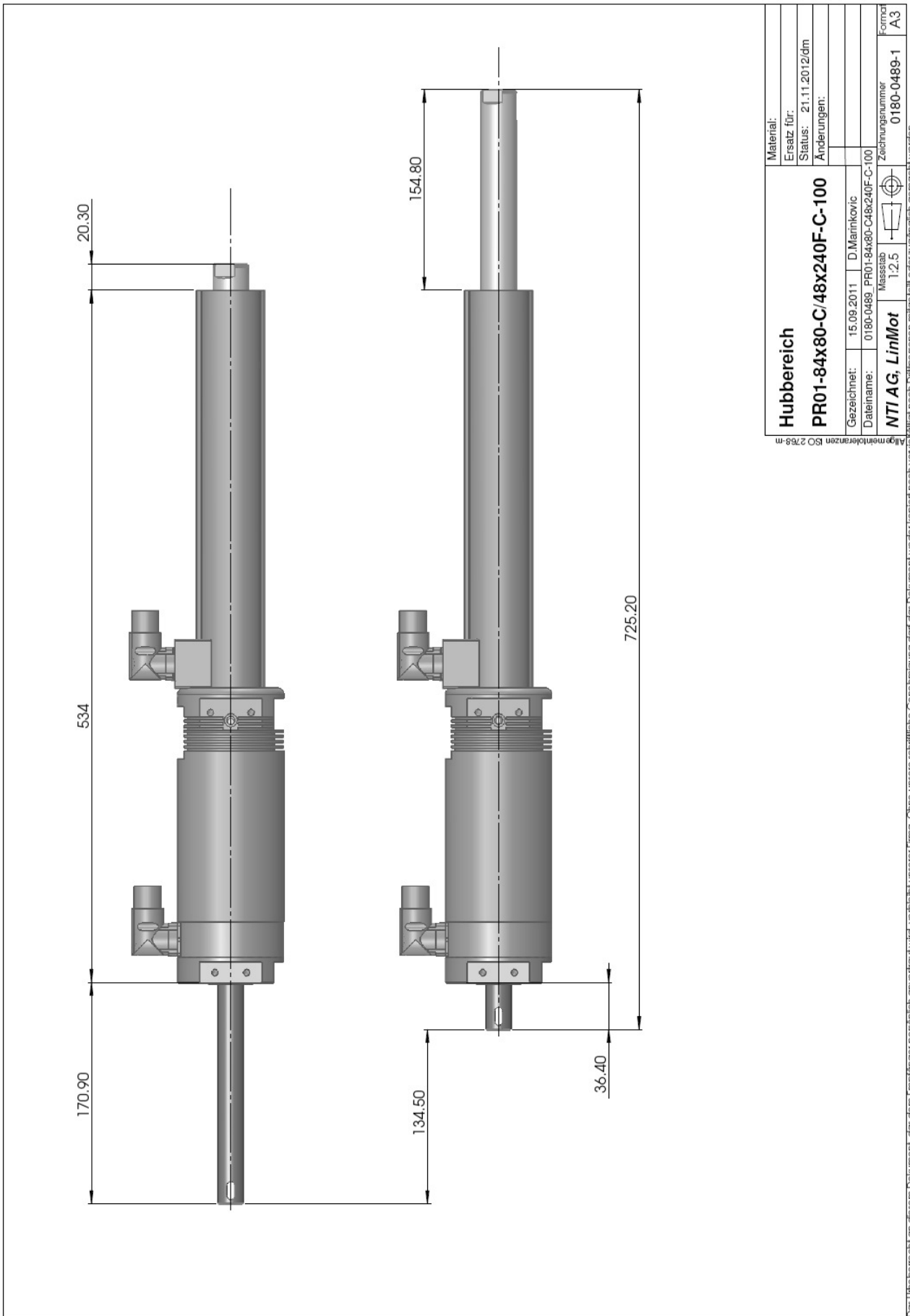
Montage Zeichnung		Material:	
PR01-84x80-C48x240F-C-100		Ersatz für:	
Gezeichnet: 18.11.2010 D. Marinkovic		Status: 21.11.2012/dm	
Dateiname: 0180-0396 PR01-84x80-C48x240F-C-100		Änderungen:	
NTI AG, LinMot		Zeichnungsnummer: 0180-0396	
Maststab: 1:3		Formel: A3	

Alle Fertigkeiten sind ISO 2768-m
 Das Urheberrecht an diesem Dokument, das dem Empfänger persönlich anvertraut wird, verbleibt unserer Firma. Ohne unsere schriftliche Genehmigung darf das Dokument weder kopiert noch veröffentlicht noch in irgendeiner Weise öffentlich zugänglich gemacht werden.

LinMot Linear-Rotary Motors



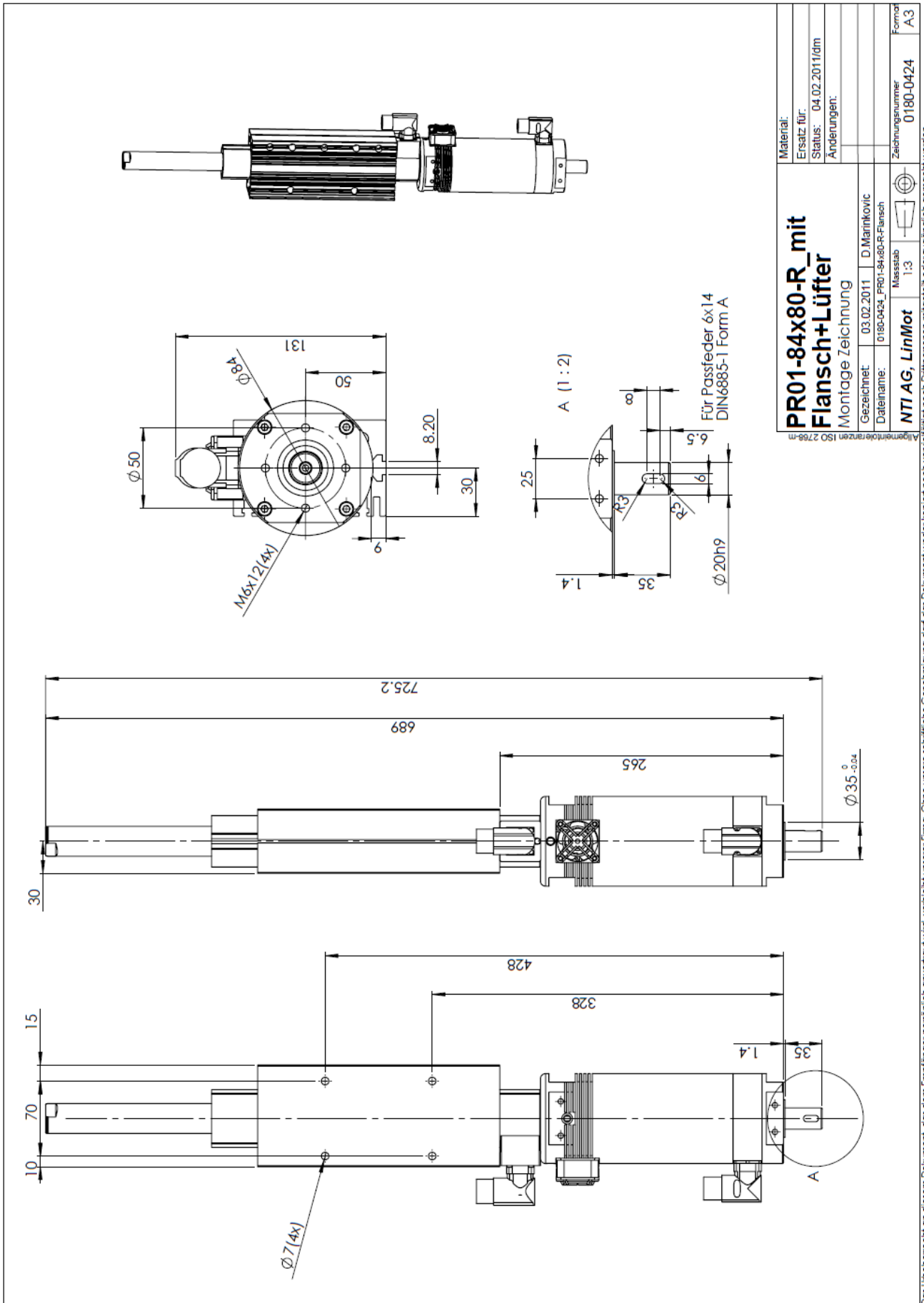
Stroke range PR01-84x80-C/48x240F-C-100



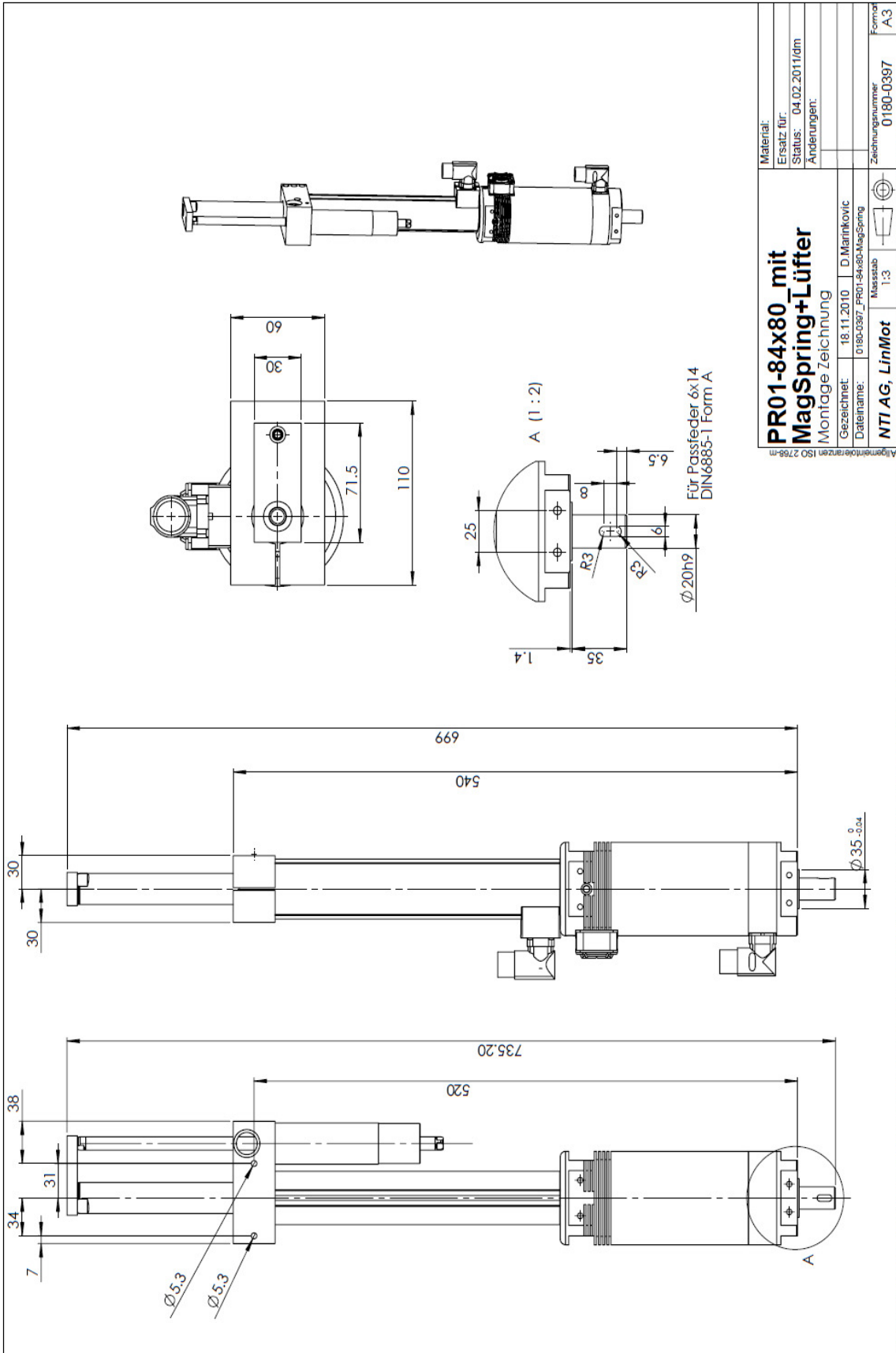
Hubbereich		Material:	
PR01-84x80-C/48x240F-C-100		Ersatz für:	
Gezeichnet: 15.09.2011 D. Marinkovic		Status: 21.11.2012/dm	
Dateiname: 0180-0489_PR01-84x80-C48x240F-C-100		Änderungen:	
Massstab 1:2,5		Zeichnungsnummer	
NTI AG, LinMot		0180-0489-1	
Allgemeintoleranzen ISO 2768-m		Format A3	

Das Urheberrecht an diesem Dokument, das dem Empfänger persönlich anvertraut wird, verbleibt unserer Firma. Ohne unsere schriftliche Genehmigung darf das Dokument weder kopiert noch vervielfältigt noch Dritten zugänglich gemacht werden.

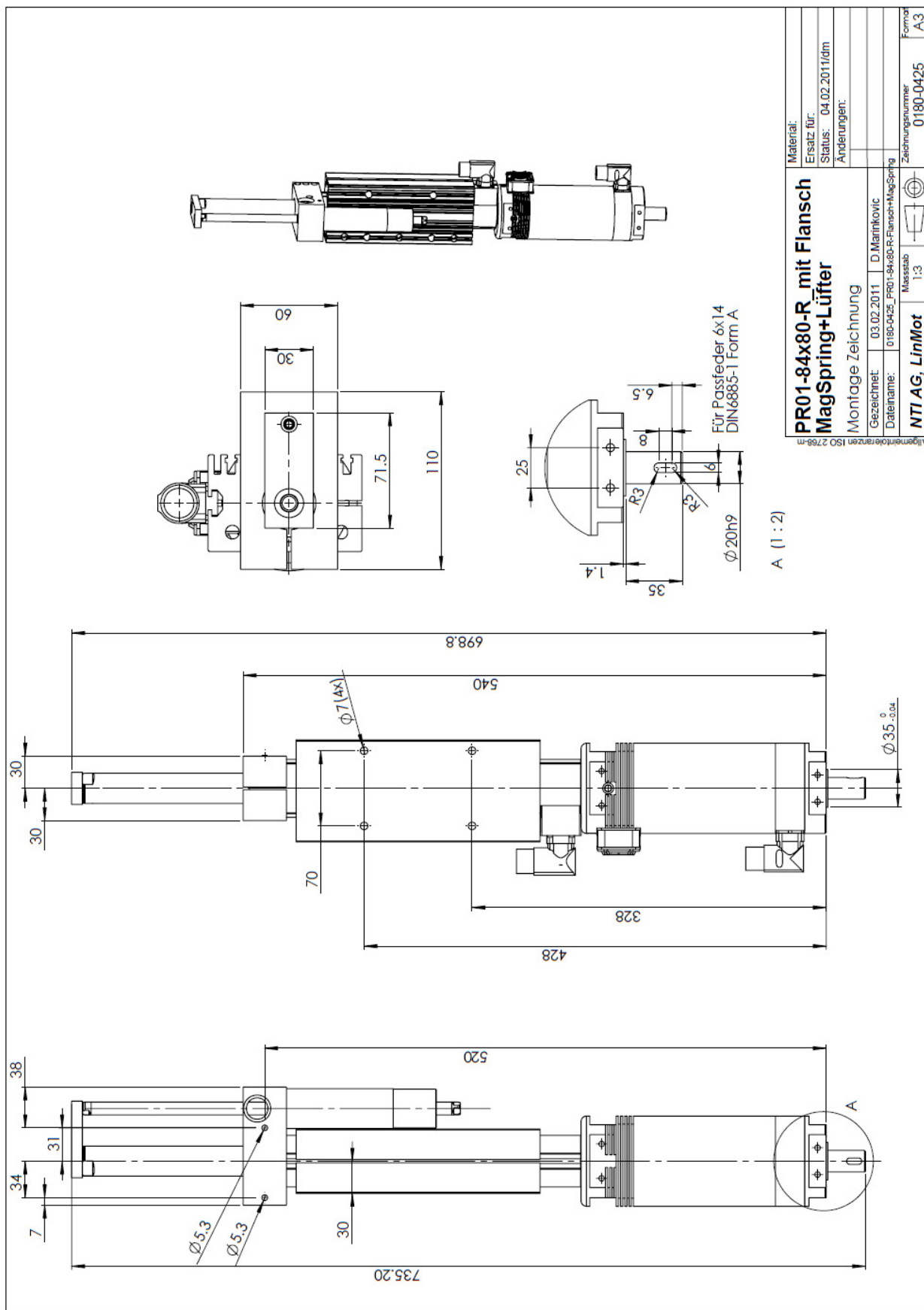
Drawing PR01-84x80-C/48x240F-C-100 with Flange PF01-48x226



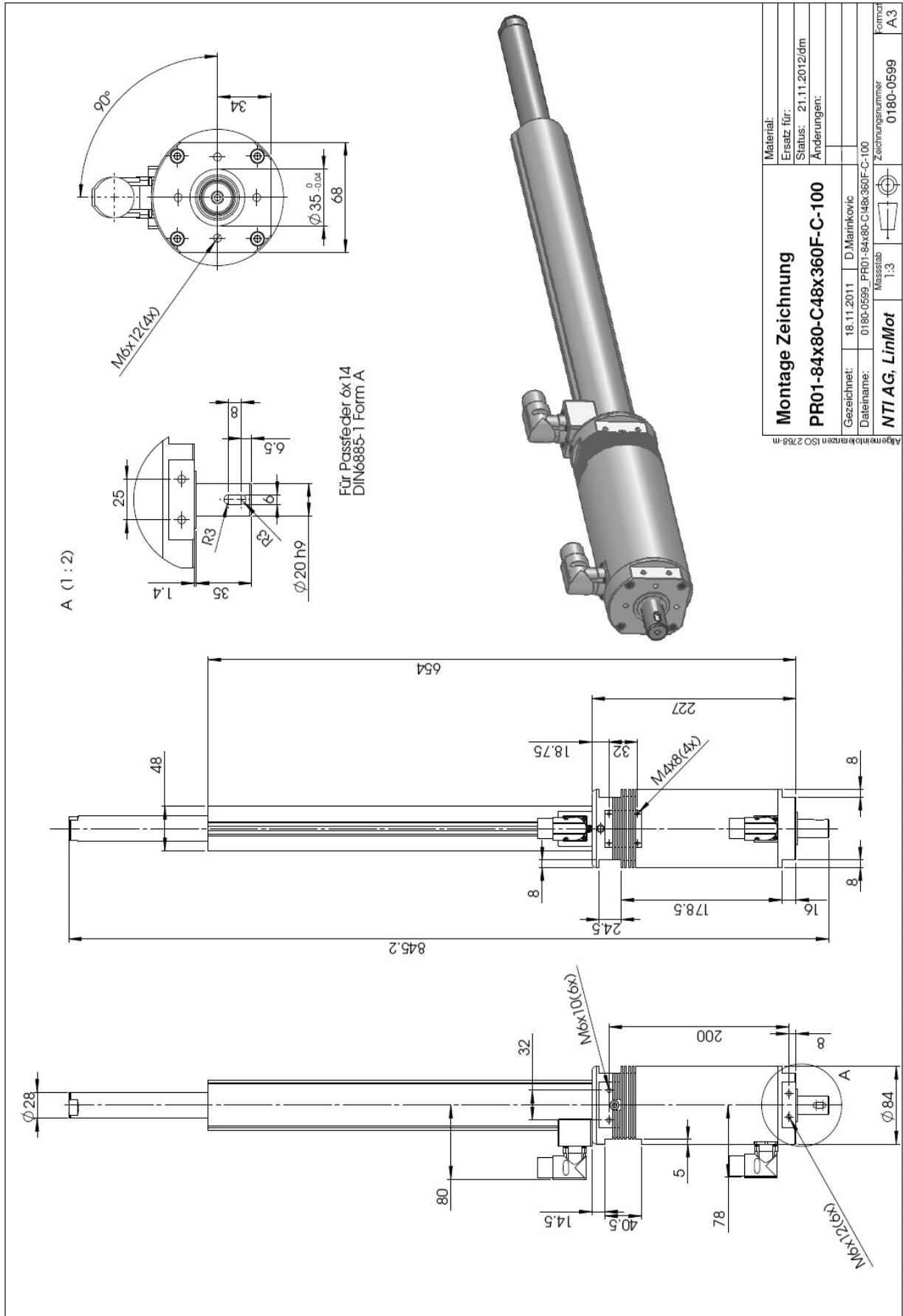
Drawing PR01-84x80-C/48x240F-C-100 Multifunction-Flange and MagSpring



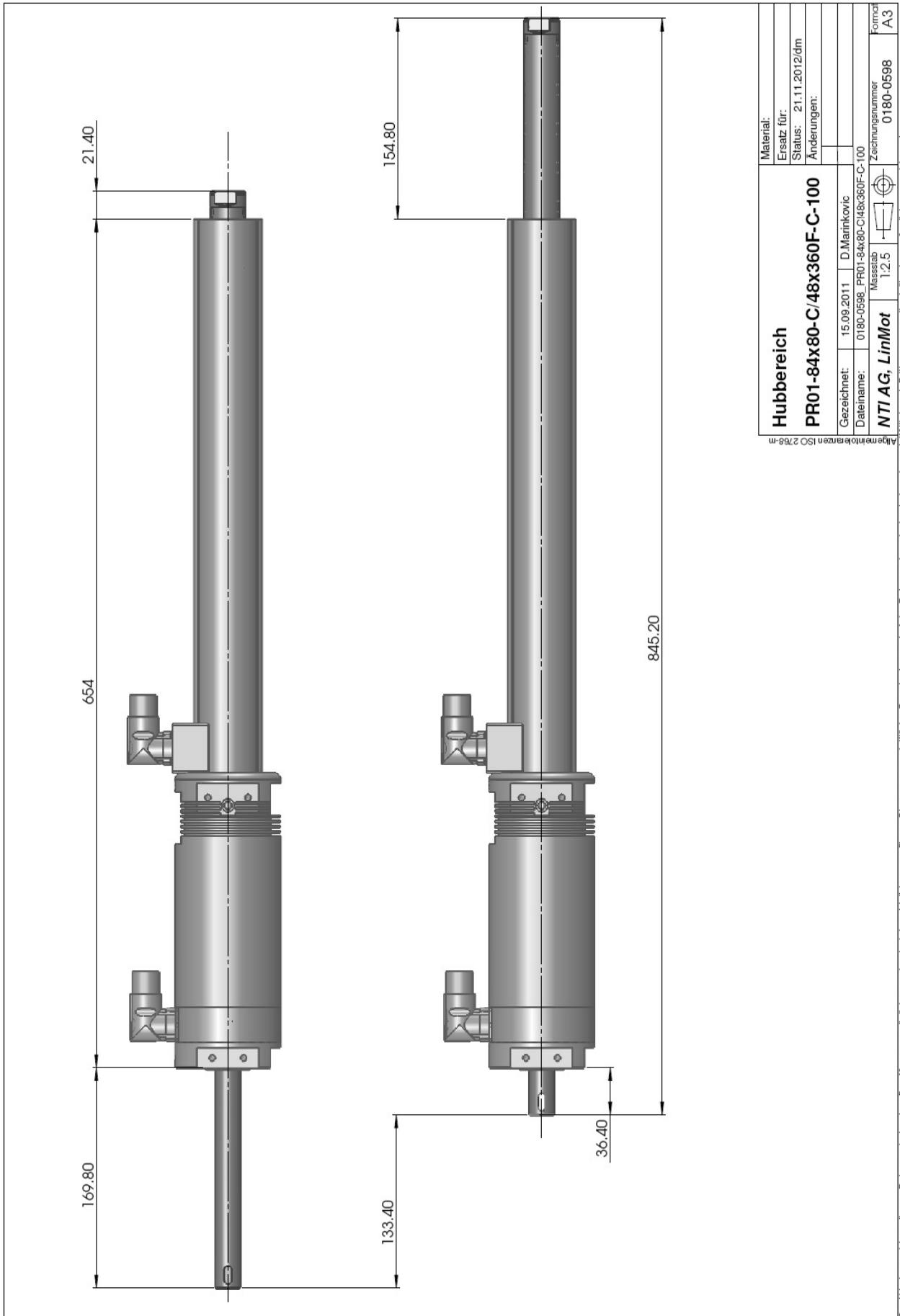
Drawing PR01-84x80-C/48x240F-C-100 with Flange and MagSpring



Drawing PR01-84x80-C/48x360F-C-100



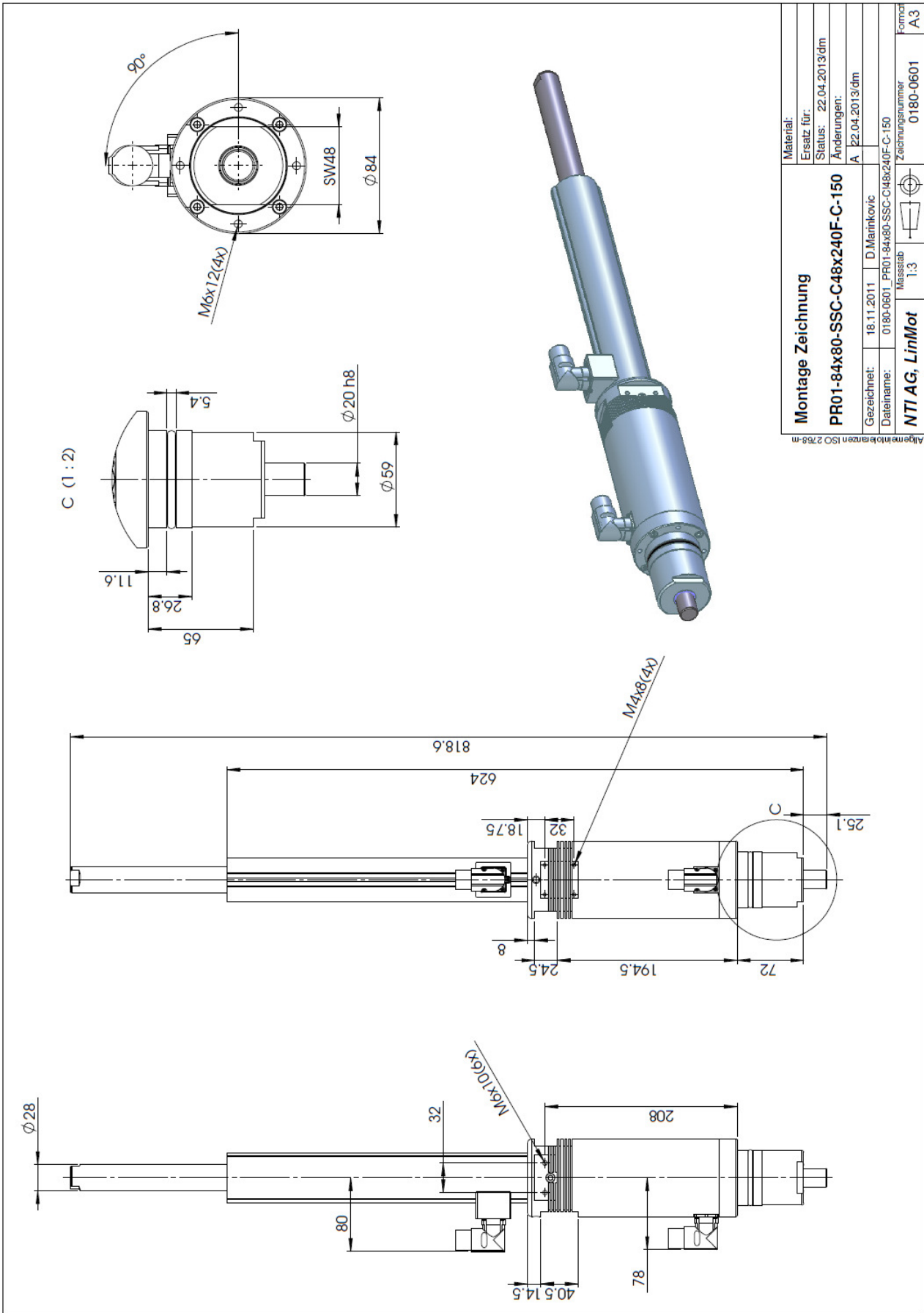
Stroke range PR01-84x80-C/48x360F-C-100



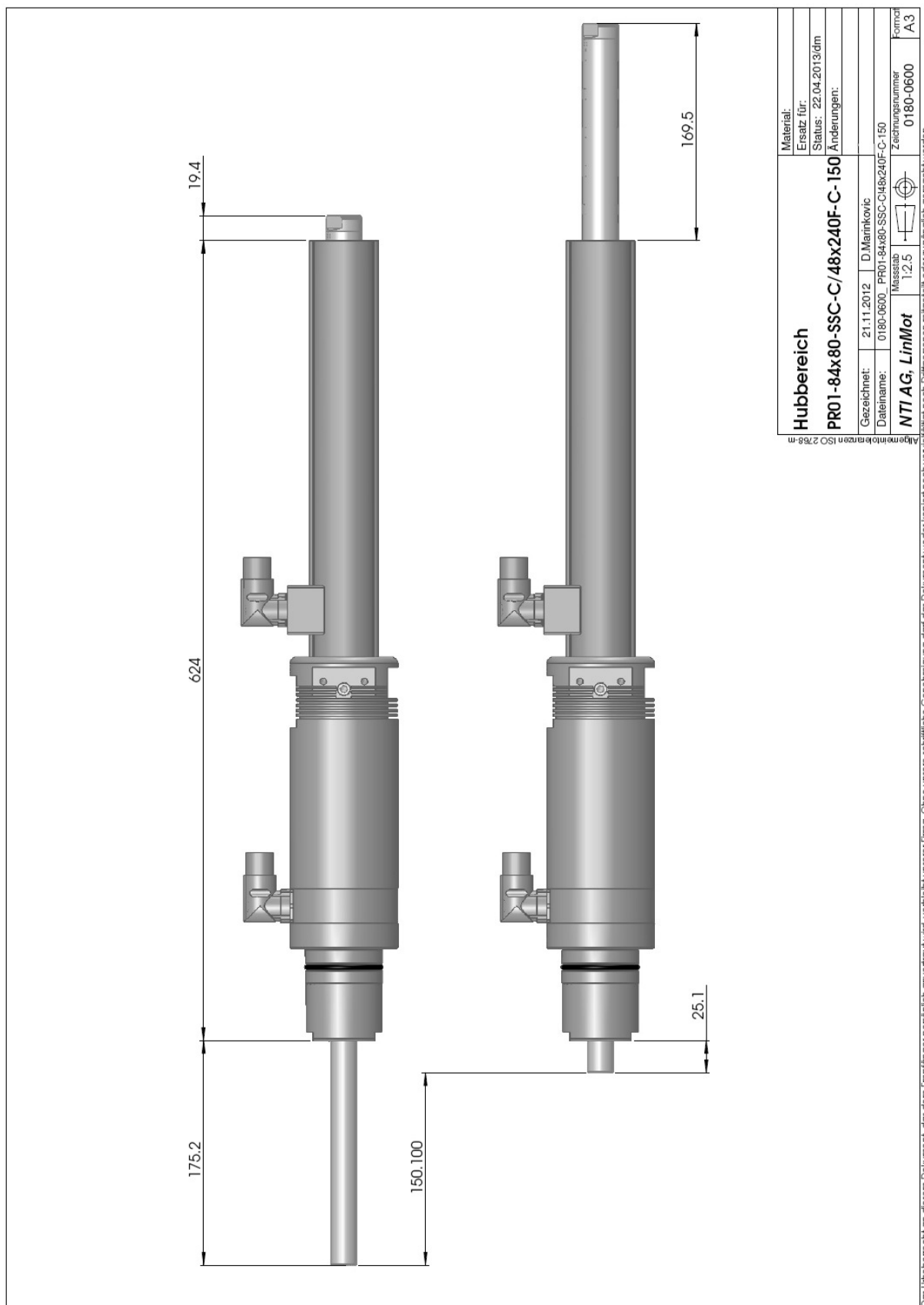
Hubbereich		Material:	
PR01-84x80-C/48x360F-C-100		Ersatz für:	
Gezeichnet: 15.09.2011 D.Marinovic		Status: 21.11.2012/dm	
Dateiname: 0180-0598_PR01-84x80-C/48x360F-C-100		Änderungen:	
NTI AG, LinMot		Zeichnungsnummer	
Massstab 1:2.5		0180-0598	
Form		A3	

Das Urheberrecht an diesem Dokument, das dem Empfänger persönlich anvertraut wird, verbleibt unserer Firma. Ohne unsere schriftliche Genehmigung darf das Dokument weder kopiert noch vervielfältigt werden. Das Dokument ist ein Eigentum der LinMot AG. Die Weitergabe an Dritte ist ohne schriftliche Genehmigung der LinMot AG untersagt.

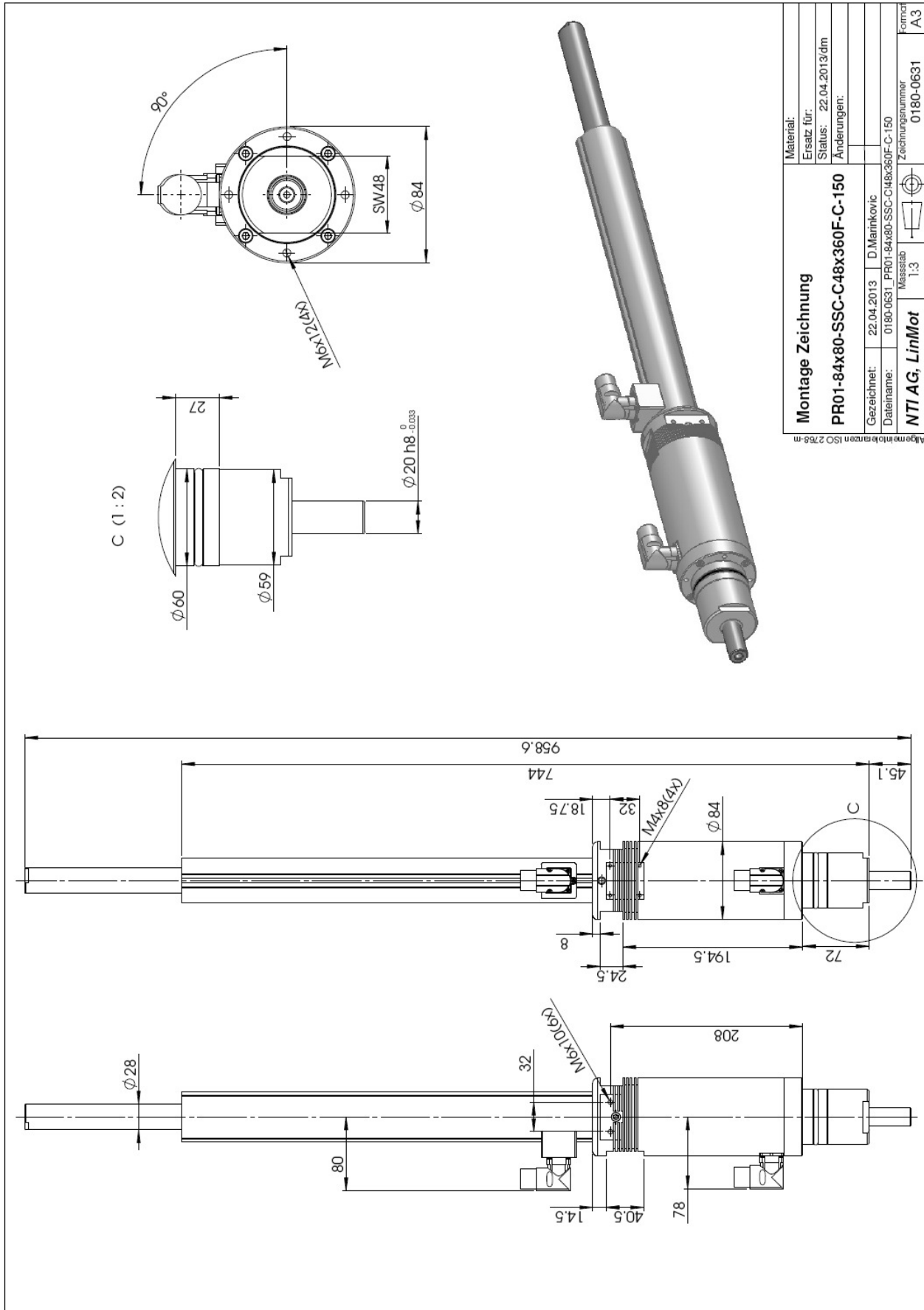
Drawing PR01-84x80-SSC-C/48x240F-C-150



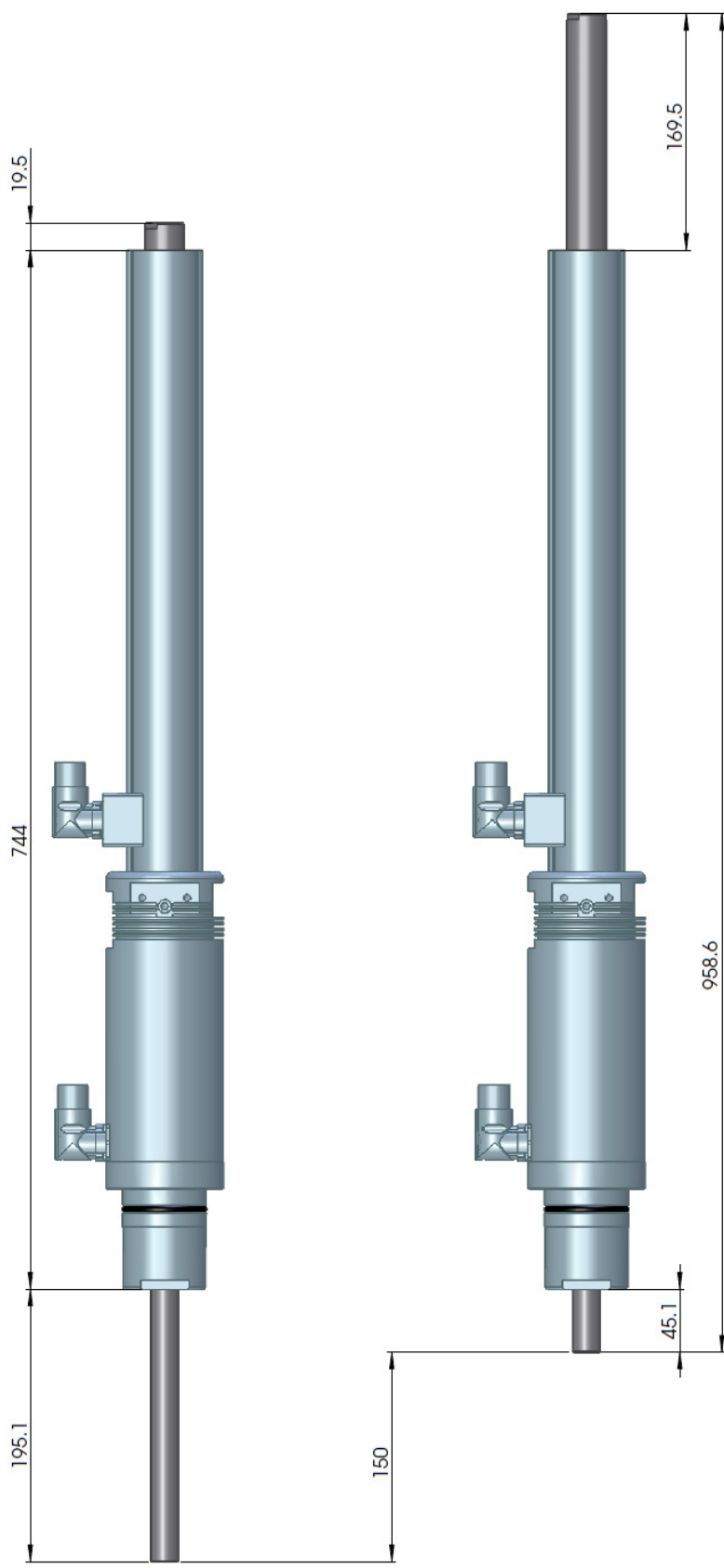
Stroke range PR01-84x80-SSC-C/48x240F-C-150



Drawing PR01-84x80-SSC-C/48x360F-C-150



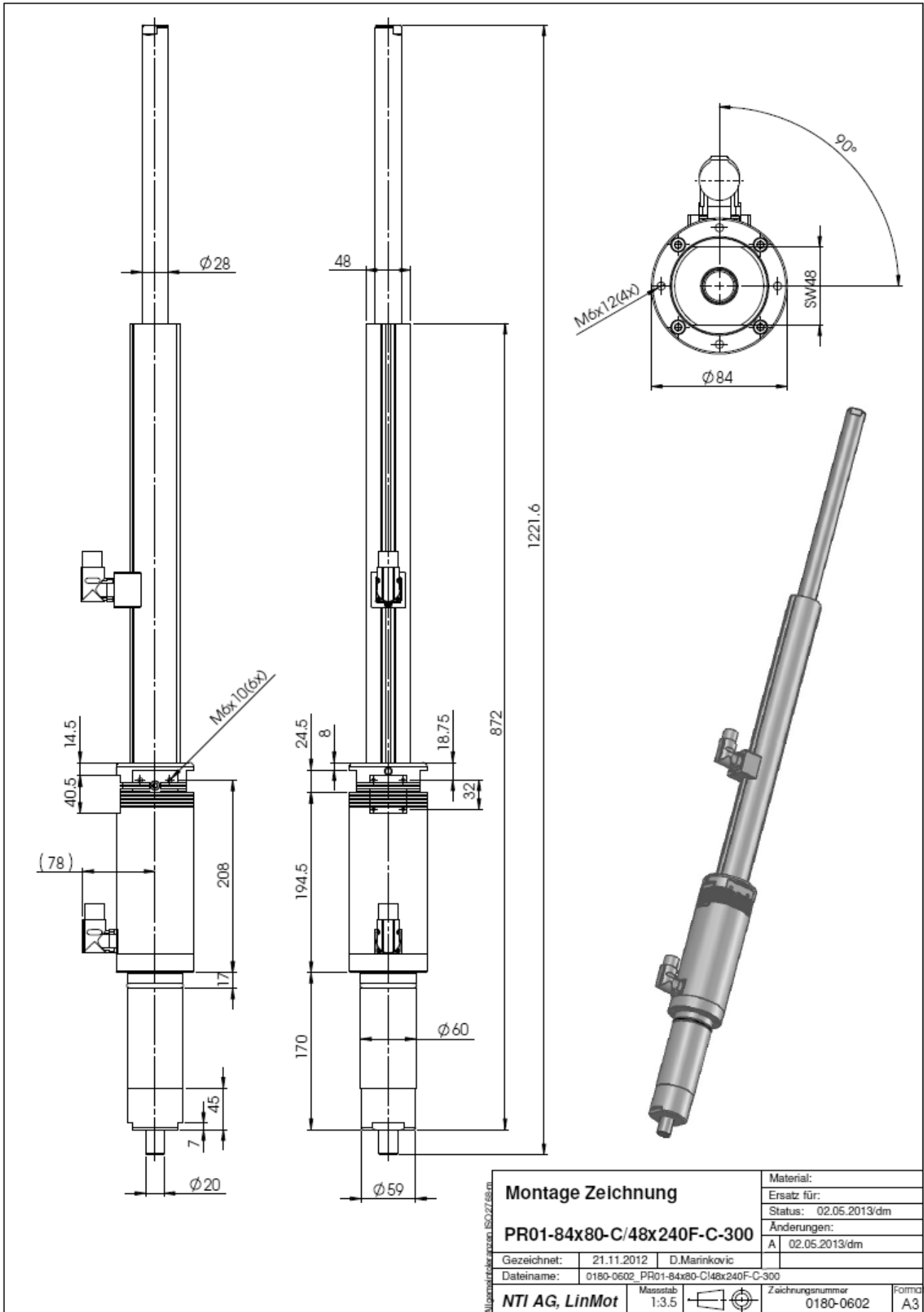
Stroke range PR01-84x80-SSC-C/48x360F-C-150



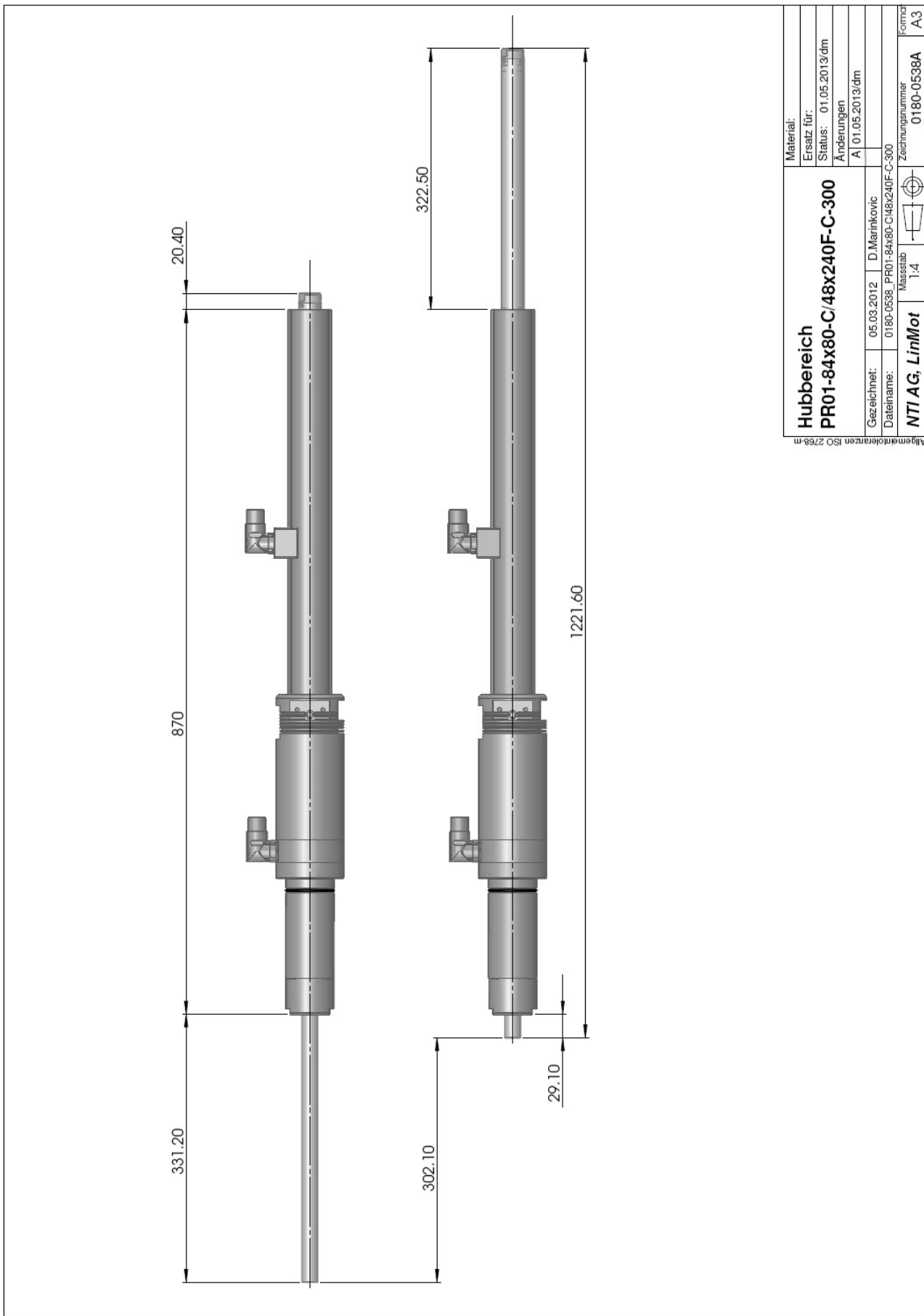
Hubbereich		Material:	
PR01-84x80-SSC-C/48x360F-C-150		Ersatz für:	
Gezeichnet: 24.01.2013 D. Marinkovic		Status: 12.03.2013 dm	
Dateiname: 0180-0622_Hub_PR01-84x80-SSC-C/48x360F-C-150		Änderungen:	
Massstab 1:3		Zeichnungsnummer	
NTI AG, LinMot		0180-0622	
Allgemeinformaten SO 27/89-m		Format	
		A3	

Das Urheberrecht an diesem Dokument, das dem Empfänger persönlich anvertraut wird, verbleibt unserer Firma. Ohne unsere schriftliche Genehmigung darf das Dokument weder kopiert noch verändertigt noch Dritten offenbart oder zugänglich gemacht werden.

Drawing PR01-84x80-C/48x240F-C-300



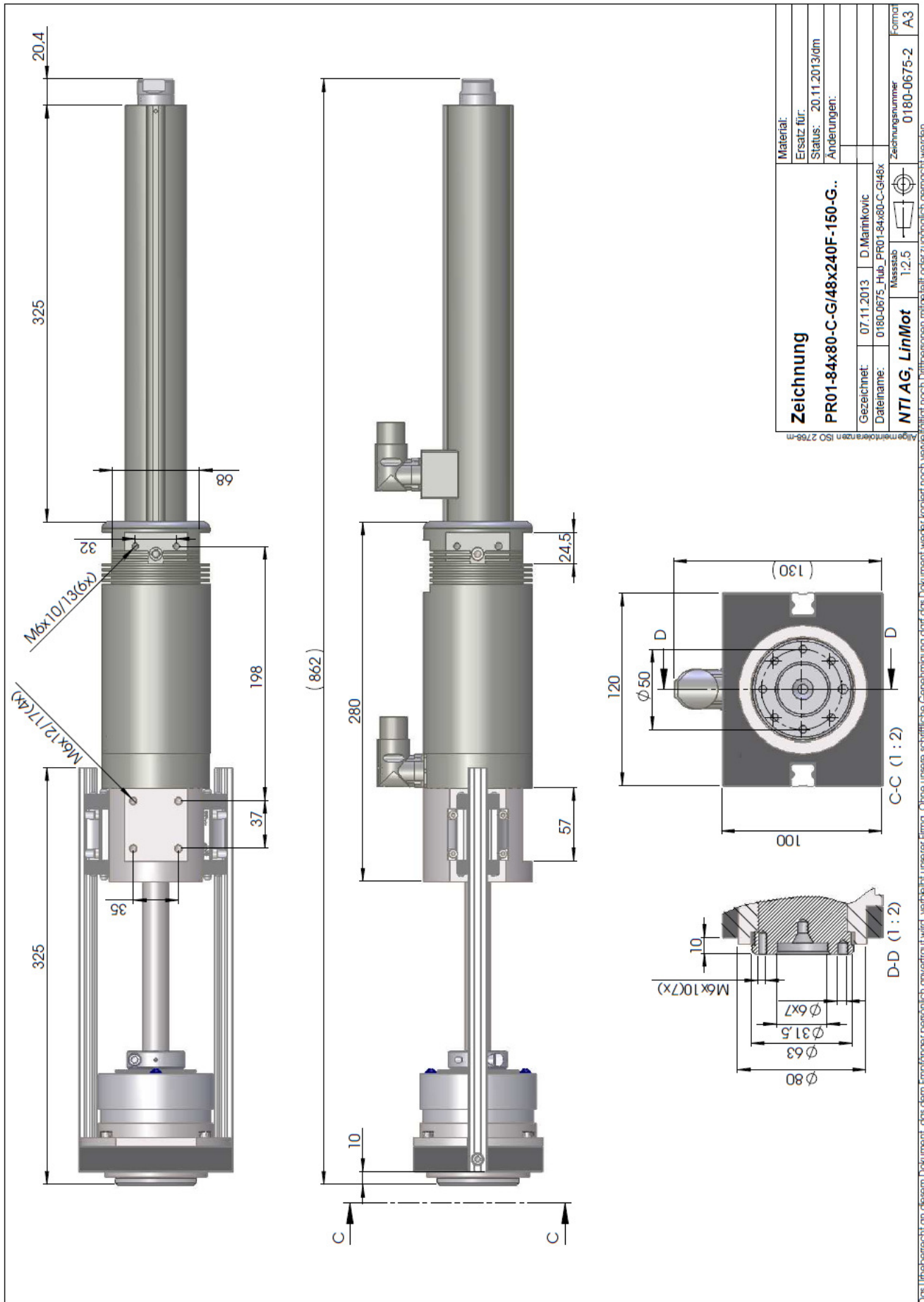
Stroke range PR01-84x80-C/48x240F-C-300



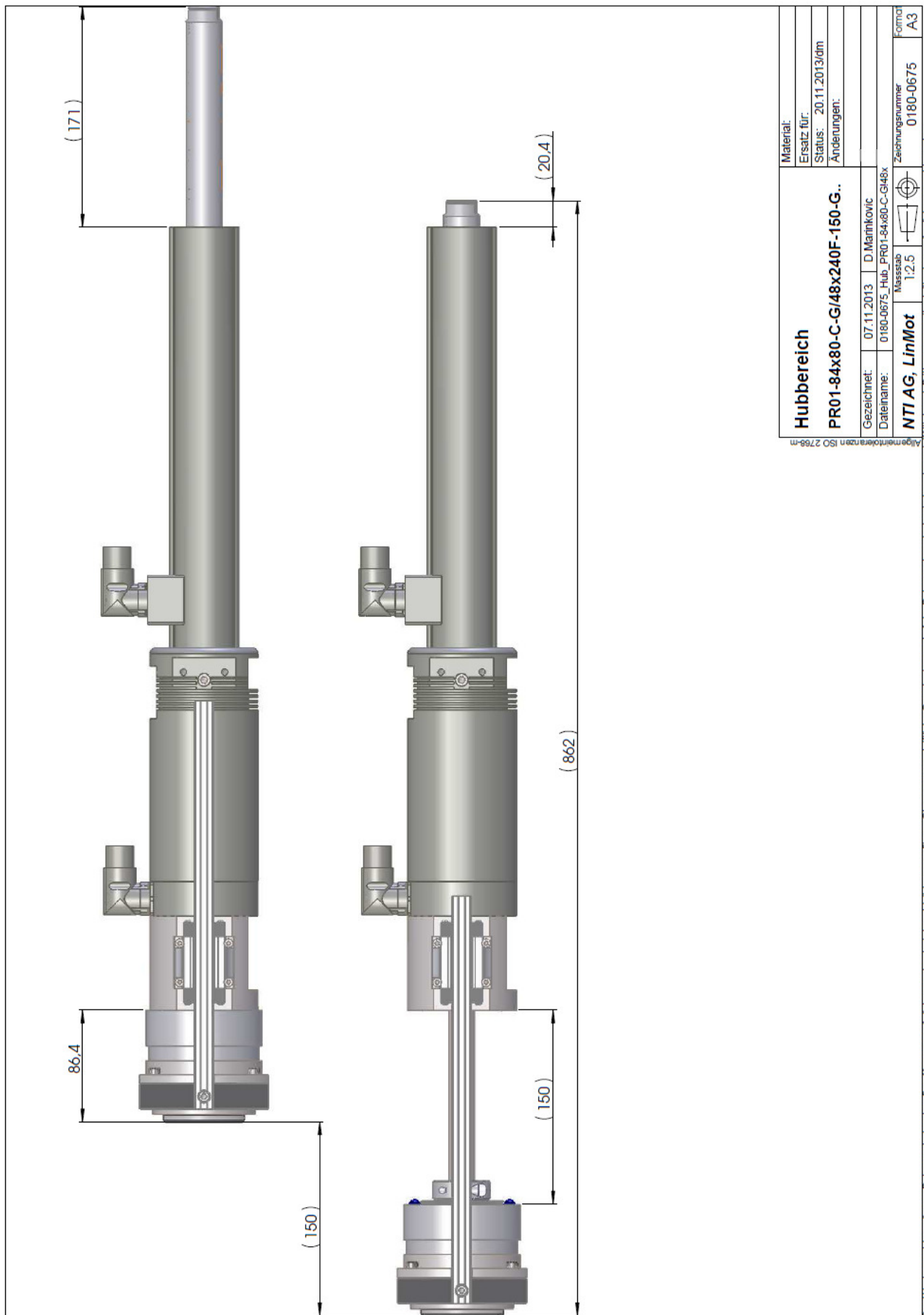
Hubbereich		PR01-84x80-C/48x240F-C-300	
Gezeichnet:	05.03.2012	D. Marinčević	
Dateiname:	0180-0538_PR01-84x80-C/48x240F-C-300		
NTI AG, LinMot		Massstab	1:4
		Zeichnungsnummer	0180-0538A
		Format	A3

Das Urheberrecht an diesem Dokument, das dem Empfänger persönlich anvertraut wird, verbleibt unserer Firma. Ohne unsere schriftliche Genehmigung darf das Dokument weder kopiert noch veröffentlicht werden. Allgemeine Toleranzen ISO 2768-m.

Drawing PR01-84x80-C-G/48x240F-C-150-G..



Stroke Range PR01-84x80-C-G/48x240F-C-150-G..



Maintenance of *LinMot*[®] Linear-Rotary Motors

The maintenance schedule below is based on a 5-day week with 8 working hours daily. Central European industrial operating conditions are assumed. Where conditions differ, as with severe and permanent fouling, direct sunshine, operation out in the open etc., the maintenance intervals must be shortened till empirical values for the particular application are obtained. Accordingly a distinction is drawn between the maintenance schedules for standard applications and first applications or arduous conditions.

Maintenance schedule for standard applications

	Less than 120 strokes/min	120 - 360 strokes/min	over 360 strokes/min
Commissioning	Inspection & lubrication	Inspection & lubrication	Inspection & lubrication
every 3 months	--	Inspection	Inspection & lubrication
every 6 months	Inspection	Inspection & lubrication	Inspection & lubrication

Maintenance schedule for first applications / arduous

	Less than 120 strokes/min	120 - 360 strokes/min	over 360 strokes/min
Commissioning	Inspection & lubrication	Inspection & lubrication	Inspection & lubrication
after the first 8 hours	Inspection	Inspection	Inspection
after first week	Inspection	Inspection	Inspection
every 3 months	Inspection	Inspection	Inspection & lubrication
every 6 months	Inspection & lubrication	Inspection & lubrication	Inspection & lubrication

Inspection

The following must be checked when inspecting the drives:

- Is the slider lubricated completely.
- Is the lubricant not 'decomposed'?
- Can the slider be moved easily?

Lubricating instructions

The lubricant reduces the friction between the chromium-nickel steel surface of the slider and the plastic plain bearing. In addition it prevents (fretting) corrosion. The lubricant employed must not attack the material of the plain bearing and must be temperature resistant up to 150°C. Important also is that it should retain low viscosity at low temperatures and not evaporate. The following lubricant is recommended:

***LinMot*[®] Lubricant LU02 Art. No. 0150-1953 (8g)**

***LinMot*[®] Lubricant LU02 Art. No. 0150-1954 (50g)**

***LinMot*[®]-Lubricant LU02 Art. No. 0150-1955 (1000g)**

LinMot[®] LU02 Lubricant corresponds to KLÜBERSYNTH UH1 14-31 which was developed for the food processing industry.

Storage / transport

• Sliders are to be stored and transported only in the plastic containers (with cardboard inlay) provided for this, or already fitted in *LinMot*[®] motors and secured.

• Maximum storage temperature: 70 °C

Trouble Shooting

Trouble Shooting of Linear Motors

The following tables show the resistive value between the different connector pins for each stator type. If the value is not in a range of +/- 10% the stator may be damaged (temperature of the stator for all measurements: 20°C).

PS01-37x120F-HP-C-80

Phase1+ / Phase1-		Pin A / Pin B	2.6Ω
Phase2+ / Phase2-		Pin C / Pin D	2.6 Ω
5V / GND		Pin E / Pin F	155 Ω
Sensor Sinus / GND		Pin G / Pin F	33 kΩ
Sensor Cosine / GND		Pin H / Pin F	33 kΩ
Temp. Sensor / GND		Pin L / Pin F	10kΩ
Phase / GND		Pin A,B,C,D / Pin F	>20 MΩ
All Pin / Shield		Pin A-L / Housing	>20 MΩ

PS01-37x120F-HP-C-100

Phase1+ / Phase1-		Pin A / Pin B	2.6Ω
Phase2+ / Phase2-		Pin C / Pin D	2.6 Ω
5V / GND		Pin E / Pin F	155 Ω
Sensor Sinus / GND		Pin G / Pin F	33 kΩ
Sensor Cosine / GND		Pin H / Pin F	33 kΩ
Temp. Sensor / GND		Pin L / Pin F	10kΩ
Phase / GND		Pin A,B,C,D / Pin F	>20 MΩ
All Pin / Shield		Pin A-L / Housing	>20 MΩ

PS01-48x240F-C-100 (-150, -300)

Phase1+ / Phase1-		Pin A / Pin B	1.1 Ω
Phase2+ / Phase2-		Pin C / Pin D	1.1 Ω
5V / GND		Pin E / Pin F	155 Ω
Sensor Sin / GND		Pin G / Pin F	33 kΩ
Sensor Cos / GND		Pin H / Pin F	33 kΩ
Temp. Sensor / GND		Pin L / Pin F	10 kΩ
Phase / GND		Pin A,B,C,D / Pin F	>20 MΩ
Alle Pins / Shield		Pin A-L / Gehäuse	>20 MΩ

PS01-48x360F-C-100 (-150)

Phase1+ / Phase1-		Pin A / Pin B	1.5 Ω
Phase2+ / Phase2-		Pin C / Pin D	1.5 Ω
5V / GND		Pin E / Pin F	155 Ω
Sensor Sin / GND		Pin G / Pin F	33 kΩ
Sensor Cos / GND		Pin H / Pin F	33 kΩ
Temp. Sensor / GND		Pin L / Pin F	10 kΩ
Phase / GND		Pin A,B,C,D / Pin F	>20 MΩ
Alle Pins / Shield		Pin A-L / Gehäuse	>20 MΩ

Trouble Shooting of Rotary Motors

The following tables show the resistive value between the different connector pins for each stator type. If the value is not in a range of +/- 10% the stator may be damaged (temperature of the stator for all measurements: 20 °C).

RS01-52x40-R

Phase A / Phase B		Pin 1 / Pin 2	7.1Ω
Phase A / Phase C		Pin 3 / Pin 4	7.1 Ω
5V / GND		Pin A / Pin B	155 Ω
Sensor Sinus / GND		Pin C / Pin B	33 kΩ
Sensor Cosine / GND		Pin D / Pin B	33 kΩ
Temp. Sensor / GND		Pin E / Pin B	10kΩ
Phase / GND		Pin 1,2,3,4 / Pin B	>20 MΩ
All Pin / Shield		Pin 1-E / Housing	>20 MΩ

RS01-52x60-R

Phase A / Phase B		Pin 1 / Pin 2	3Ω
Phase A / Phase C		Pin 3 / Pin 4	3 Ω
5V / GND		Pin A / Pin B	155 Ω
Sensor Sinus / GND		Pin C / Pin B	33 kΩ
Sensor Cosine / GND		Pin D / Pin B	33 kΩ
Temp. Sensor / GND		Pin E / Pin B	10kΩ
Phase / GND		Pin 1,2,3,4 / Pin B	>20 MΩ
All Pin / Shield		Pin 1-E / Housing	>20 MΩ

RS01-52x60-R (Delivery until June 2011)

Phase A / Phase B		Pin 1 / Pin 2	11.9Ω
Phase A / Phase C		Pin 3 / Pin 4	11.9 Ω
5V / GND		Pin A / Pin B	155 Ω
Sensor Sinus / GND		Pin C / Pin B	33 kΩ
Sensor Cosine / GND		Pin D / Pin B	33 kΩ
Temp. Sensor / GND		Pin E / Pin B	10kΩ
Phase / GND		Pin 1,2,3,4 / Pin B	>20 MΩ
All Pin / Shield		Pin 1-E / Housing	>20 MΩ

RS01-84x80-C / RS01-84x80-SSC-C / RS01-84x80-C-300

Phase A / Phase B		Pin A / Pin B	1.1Ω
Phase A / Phase C		Pin C / Pin D	1.1 Ω
5V / GND		Pin E / Pin F	155 Ω
Sensor Sinus / GND		Pin G / Pin F	33 kΩ
Sensor Cosine / GND		Pin H / Pin F	33 kΩ
Temp. Sensor / GND		Pin L / Pin F	10kΩ
Phase / GND		Pin A,B,C,D / Pin F	>20 MΩ
All Pin / Shield		Pin A-L / Housing	>20 MΩ

Caution: Handling Instructions for Sliders

LinMot Slider

LinMot® Linear Motor sliders must be handled with care especially if not assembled within the stator! Damaging or warping of the slider can result in shortened life and/or failure of the motor. The slider is essentially a high-precision machine component consisting of neodymium magnets and plastic materials assembled in a thin steel tube. Do not use sliders who are already damaged on the surface (scratches, deformation, etc.). This can provide a further damage of the stator! Keep slider away from unshielded flame or heat. Temperature of more than 120°C will cause demagnetization.



Magnetism

LinMot® sliders contain neodymium magnets which may disturb or damage magnetic data carriers and delicate electronic equipment merely by coming close to them. Examples for such equipment are: television and computer monitors, credit cards and EC-cards, computers, floppy discs and other data storage medium, video tapes, mechanical watches, hearing devices and loudspeaker. Heart pacemakers can be disturbed by strong magnets. Keep a minimum distance of 1m.



Crushes

When handling sliders be aware that, due the strong magnetic attraction, serious injury from fingers being pinched between the slider and nearby steel parts is a very real possibility if caution is not exercised.



No modification of sliders provided by customers is allowed!

Do not modify the slider in any way. Any modification could destroy the included magnets and magnet dust can be build. Magnet dust is easily inflammable! NdFeB-Magnets are not made of steel. These magnets are sintered and due to that highly breakable.



Declaration of Conformity CE-Marking

Manufacturer: NTI AG
LinMot®
Haerdlistrasse 15
8957 Spreitenbach
Switzerland
Tel.: +41 (0) 56 419 91 91
Fax: +41 (0) 56 419 91 92

Products: *LinMot*® Servo Motors

Type	Part.-No.	Type	Part.-No.
RS01-52x40-R	0150-1572	PS01-37x120F-HP-C-80	0150-2256
RS01-52x60-R	0150-1563	PS01-37x120F-HP-C-100	0150-1545
RS01-52x60-R-195	0150-1570	PS01-37x120F-HP-C-180	0150-2192
RS01-84x80-R/-C	0150-1562	PS01-48x240F-C-100	0150-1547
RS01-84x80-SSC-C	0150-2508	PS01-48x360F-C-100	0150-1566
RS01-84x80-C-300	0150-2509	PS01-48x240F-C-150	0150-1577
		PS01-48x360F-C-150	0150-1584
		PS01-48x240F-C-300	0150-1578

The product must be mounted and used in strict accordance with the installation instruction contained within the User's Manual, a copy of which may be obtained from NTI AG.

I declare that as the authorized representative, the above information in relation to the supply/manufacture of this product is in conformity with the stated standards and other related documents in compliance with the protection requirements of the EMC Directive (89/336/EEC) and is marked in accordance with the CE Marking Directive (93/68/EEC).

Standards Complied with:

Conducted EMI	EN 55011	Class A
EN 61000-6-4		
Electromagnetic Susceptibility EMC	EN 61000-4-2	4 kV / 8kV
EN 61000-6-2	EN 61000-4-4	1 kV / 2kV
	EN 61000-4-3	10 V/m
	EN 61000-4-6	10 V
	ENV 50204	10 V/m

Company
NTI AG

Spreitenbach, July 2013

Dr.-Ing. Ronald Rohner / CEO NTI AG

Contact address:

NTI AG

LinMot
Haerdlistr. 15
CH-8957 Spreitenbach
Switzerland

Tel. +41 (0)56 419 9191
Fax. +41 (0)56 419 9192
email: office@LinMot.com
Web: www.LinMot.com

LinMot Inc.

204 E Morrissey Dr.
Elkhorn
WI 53121
USA

Phone: 262-743-2555
Fax: 262-723-6688
email: sales@linmot-usa.com
Web: www.LinMot.com

Liability

NTI AG / LinMot (LinMot) is not responsible for any damages caused by improper use, application, or handling of LinMot manufactured or supplied materials and is not responsible for any consequential damages of any sort relating to the use of LinMot products.

LinMot's warranty is limited to repair or replacement as stated in our standard warranty policy as described in our "terms and conditions" previously supplied to the purchaser of our equipment (please request copy of same if not otherwise available). Product warranties are void if LinMot products are used with stators, sliders, or controllers not manufactured by LinMot unless such use was specifically approved by LinMot.

A copy of this notice must be attached to each motor and/or machine that the purchaser provides to others.

LinMot®, LinRot® and MagSpring® are registered trademarks of NTI AG

Specification of products are subject to change without notification

Edition: 2011
2012
22.11.2013