

Linear Motor Family P01-23x160

The linear motors of the P01-23x160 family differ from the P01-23x80 family by their somewhat greater length, which gives higher maximum force. For controlling the P01-23x160 linear motors the servo controllers of Series 100 and 1000 are employed.

Performance data:

Max. stroke:	340mm	13.4in
Max. force:	60N	13.5lbf
Max. accel.:	350m/s ²	13800in/s ²
Max. velocity:	4.2m/s	165in/s

Dimensions:

Stator length:	257mm	10.1in
Stator diameter:	23mm	0.9in
Stator mass:	450g	0.99lb
Slider diameter:	12mm	0.5in

Connections:

Cable:	9 pole (4+5)
Cable length:	1m 3.3ft
Connector:	9-pin D-Sub (m)

Temperature:

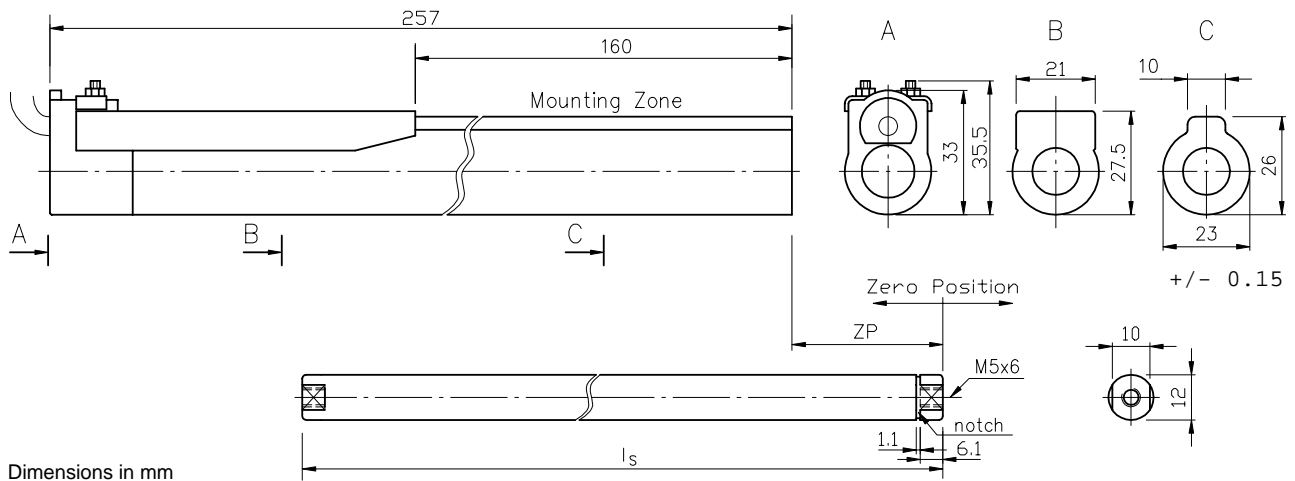
Max. stator temp.:	65°C	150°F
--------------------	------	-------



Connector assignment:

1 red	phase 1 +	6 pink	phase 1 -
2 blue	phase 2 +	7 grey	phase 2 -
3 white	+5 V _{DC}	8 brown	ground
4 yellow	sine sensor	9 green	cosine sensor
5 black	temp. sensor	Shield on housing	

Physical dimensions



Accessories

Mounting flange:	PF01-23x50	length 50mm	(2in)	Art. No. 0150-1901
	PF01-23x120	length 120mm	(4.7in)	Art. No. 0150-1902
Extension cable:	K01-23/02	length 2m	(6.6ft)	Art. No. 0150-1910
	K01-23/04	length 4m	(13.1ft)	Art. No. 0150-1911
	K01-23/06	length 6m	(19.7ft)	Art. No. 0150-1912
	K01-23/08	length 8m	(26.2ft)	Art. No. 0150-1913
Adapter cable:	Adapter P01-23 - E1000	length 0.25m	(9.8in)	Art. No. 0150-1922

Specifications of products are subject to change without notification