

## Linear Motor Family P01-37x120

The linear motors of the P01-37x120 family enable long-stroke motions of medium force to be performed. For controlling the P01-37x120 linear motors the servo controllers of Series 100 and 1000 are employed.

Performance data:		
Max. stroke:	1460mm	57.5in
Max. force:	122N	27.4lbf
Max. accel.:	247m/s <sup>2</sup>	9700in/s <sup>2</sup>
Max. velocity:	4.0m/s	157in/s

Dimensions:		
Stator length:	227mm	8.9in
Stator diameter:	37mm	1.5in
Stator mass:	740g	1.6lb
Slider diameter:	20mm	0.8in

Connections:		
Cable:	9 pole (4+5)	
Cable length:	1.5m	4.9ft
Connector:	10-pin Mini Combicon	

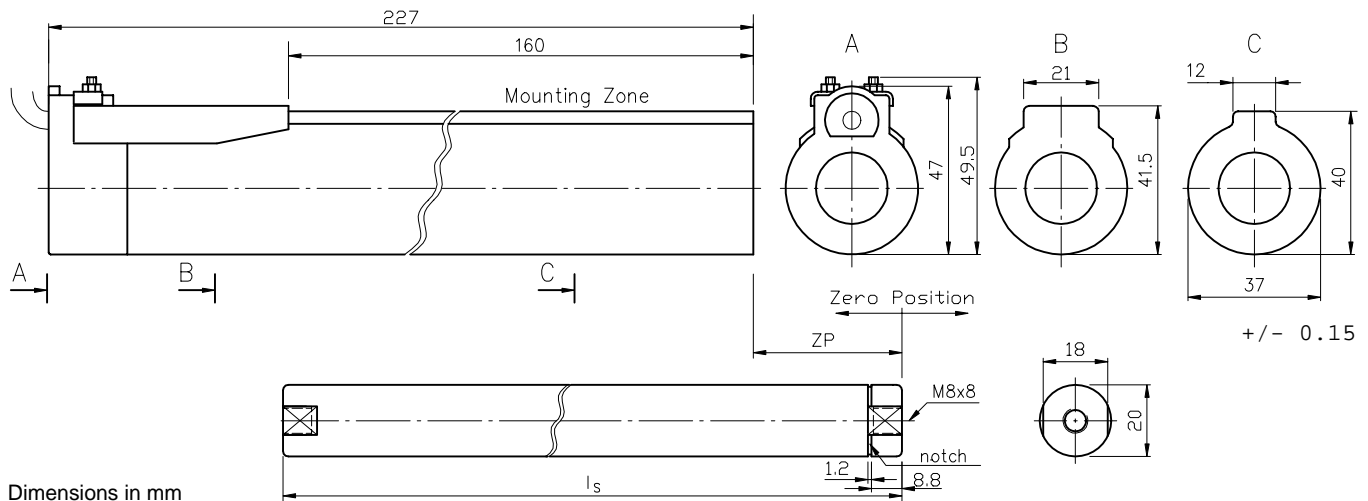
  

Temperature:		
Max. stator temp.:	65°C	150°F



Connector assignment:		Phoenix Mini Combicon MC1,5/10-STF-3,81	
1 red	phase 1 +	6 brown	ground
2 pink	phase 1 -	7 yellow	sine sensor
3 blue	phase 2 +	8 green	cosine sensor
4 grey	phase 2 -	9 black	temp. sensor
5 white	+5 V <sub>DC</sub>	10	shielding

### Physical dimensions



### Accessories

Fixing flange:	PF01-37x100	length 100mm (3.9in)	Art. No. 0150-1903
Extension cable:	K01-37/02	length 2m (6.6ft)	Art. No. 0150-1915
	K01-37/04	length 4m (13.1ft)	Art. No. 0150-1916
	K01-37/06	length 6m (19.7ft)	Art. No. 0150-1917
	K01-37/08	length 8m (26.2ft)	Art. No. 0150-1918
Adapter cable:	Adapter P01-37 - E100	length 0.4m (15.7in)	Art. No. 0150-1921

Specifications of products are subject to change without notification