

Linear Motor Family P01-37x240

With the linear motors of the P01-37x240 family the greatest forces can be brought to bear and the longest strokes performed. For controlling the P01-37x240 linear motors the servo controllers of Series 100 and 1000 are employed.

Performance data:

Max. stroke:	1460mm	57.5in
Max. force:	204N	45.9lbf
Max. accel.:	268m/s ²	10500in/s ²
Max. velocity:	3.1m/s	122in/s

Dimensions:

Stator length:	347mm	13.7in
Stator diameter:	37mm	1.5in
Stator mass:	1385g	3.1lb
Slider diameter:	20mm	0.8in

Connections:

Cable:	9 pole (4+5)
Cable length:	1m 4.9ft
Connector:	10-pin Mini Combicon

Temperature:

Max. stator temp.:	65°C 150°F
--------------------	------------

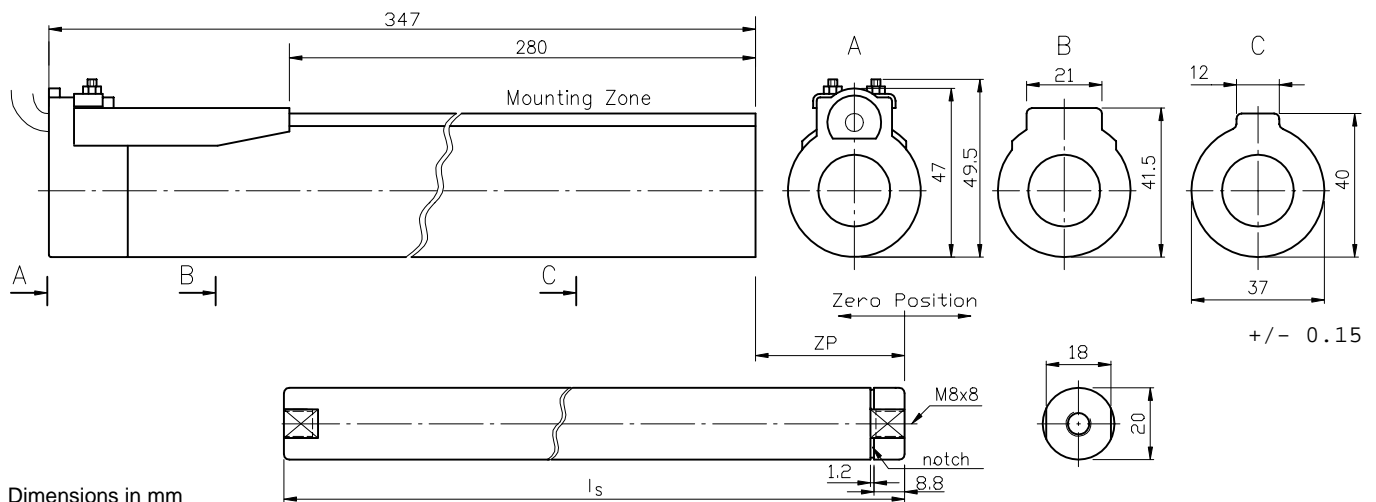


Connector assignment:

Phoenix Mini Combicon MC1,5/10-STF-3,81

1 red	phase 1 +	6 brown	ground
2 pink	phase 1 -	7 yellow	sine sensor
3 blue	phase 2 +	8 green	cosine sensor
4 grey	phase 2 -	9 black	temp. sensor
5 white	+5 V _{DC}	10	shielding

Physical dimension



Accessories

Fixing flange:	PF01-37x100	length 100mm (3.9in)	Art. No. 0150-1903
	PF01-37x200	length 200mm (7.9in)	Art. No. 0150-1904
Extension cable:	K01-37/02	length 2m (6.6ft)	Art. No. 0150-1915
	K01-37/04	length 4m (13.1ft)	Art. No. 0150-1916
	K01-37/06	length 6m (19.7ft)	Art. No. 0150-1917
	K01-37/08	length 8m (26.2ft)	Art. No. 0150-1918
Adapter cable:	Adapter P01-37 - E100	length 0.4m (15.7in)	Art. No. 0150-1921

Specifications of products are subject to change without notification