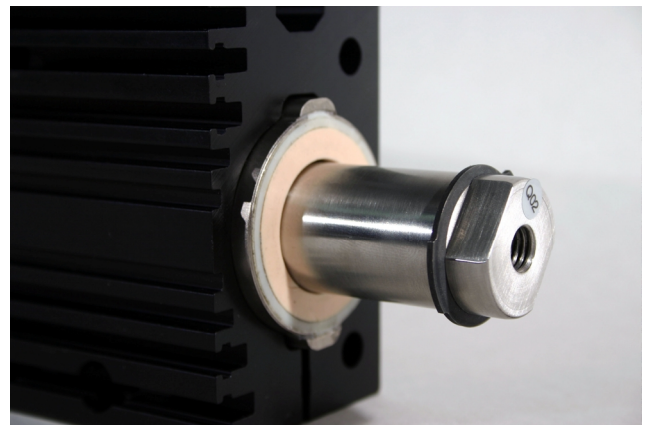


**NEW Linear Motor Family P01-48x240:**

- Peak Force 580 N (130 lbf)
- IP67 Motor Connector on the Stator
- Standard winding for maximal force and high payloads
- Fast winding for minimal position times in long stroke applications

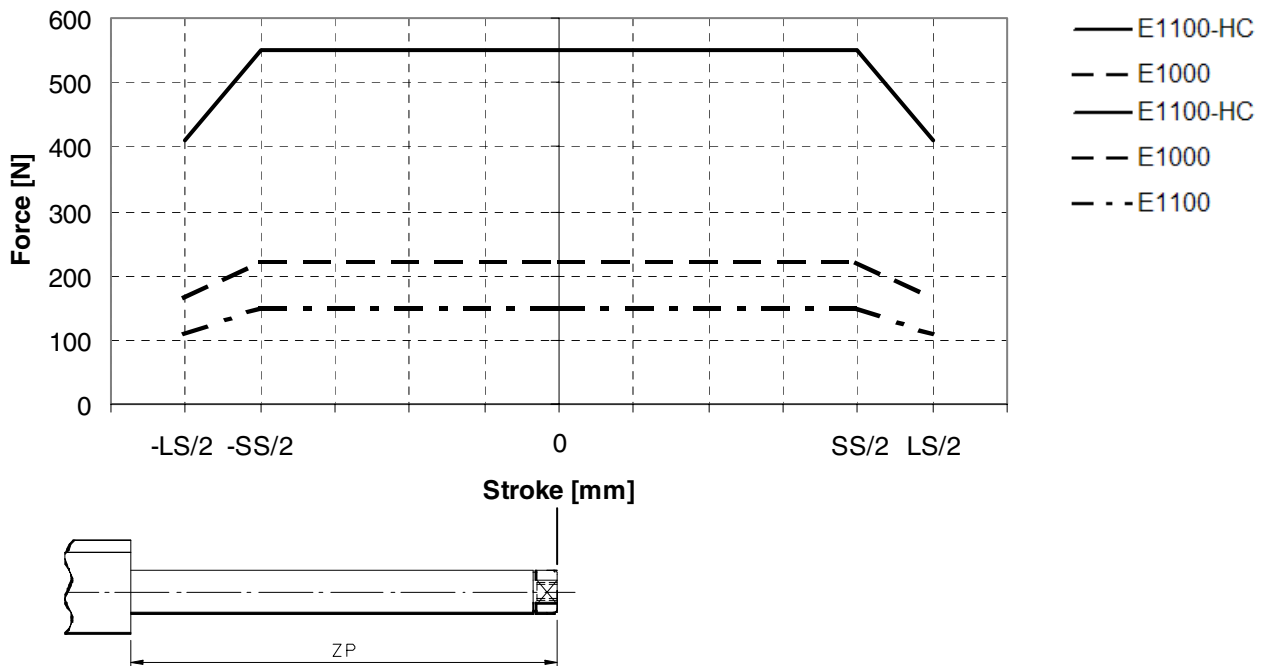


Linear Motor P01-48x240/...-C (standard winding)

Motor Type P01-48x240 standard winding		Servo Controller	Series E100	Series E1000 ¹⁾	Series E1100	Series E1100-HC
		Supply Voltage	48VDC	72VDC	72VDC	72VDC
Peak Force	F _p	N (lbf)	-	234 (52.6)	156 (35.1)	580 (130)
Continuous Force	F _c	N (lbf)	-	150 (33.7)	150 (33.7)	150 (33.7)
Border Force	F _b	N (lbf)	-	174 (39.1)	116 (26.1)	432 (97.1)
Force Constant	C _F	N/A _{peak}	-	39 (8.7)	39 (8.7)	39 (8.7)
Max. Acceleration ²⁾	a _{max.}	m/s ²	-	160	106	396
Max. Velocity	v _{max.}	m/s	-	1.8	1.8	1.8
Position Repeatability		mm (Inch)	-	±0.1 (0.0039)	±0.1 (0.0039)	±0.1 (0.0039)

¹⁾ max. one P01-48x240 per servo controller ²⁾ P01-48x240/30x180

Stroke - Force diagram



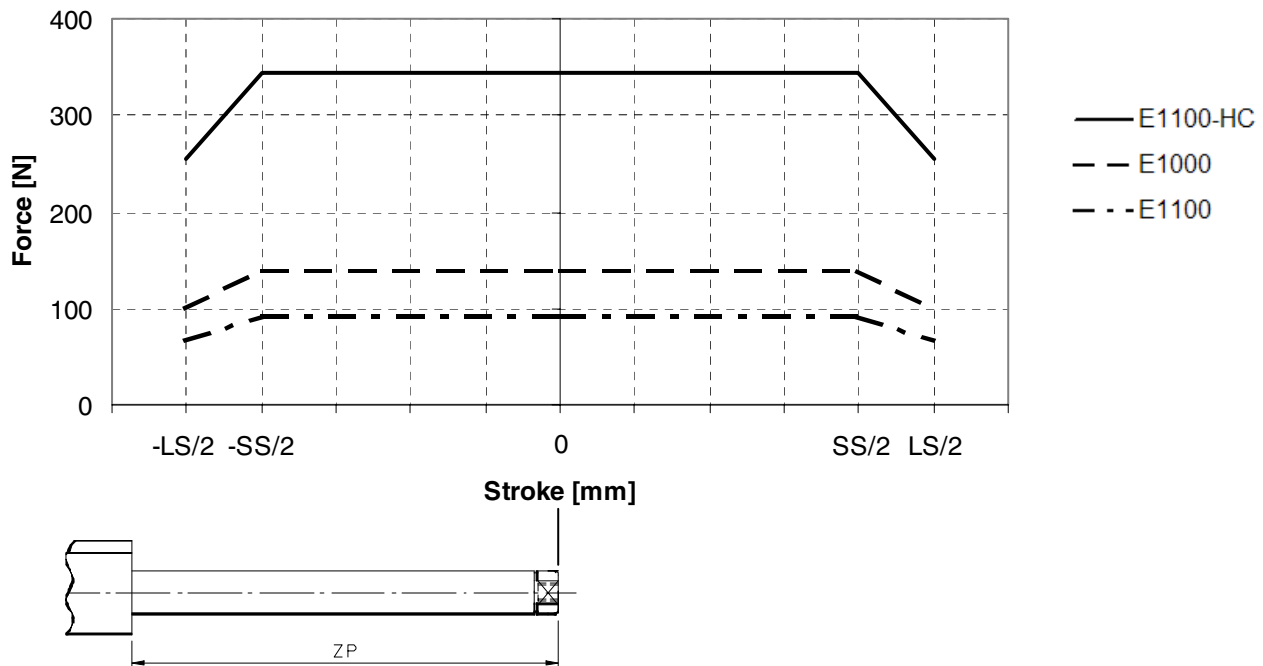
Description	Max. Stroke	Shortened Stroke	Zero Position	Slider Length	Slider Mass	Stator Mass
	LS mm (Inch)	SS mm (Inch)	ZP mm (Inch)	mm (Inch)	g (lb)	g (lb)
P01-48x240/30x180-C	180 (7.1)	30 (1.2)	65 (2.6)	350 (13.8)	1460 (3.21)	1900 (4.18)
P01-48x240/90x240-C	240 (9.4)	90 (3.5)	95 (3.7)	410 (16.1)	1740 (3.83)	1900 (4.18)
P01-48x240/180x330-C	330 (13)	180 (7.1)	140 (5.5)	500 (19.7)	2160 (4.75)	1900 (4.18)
P01-48x240/300x450-C	450 (17.7)	300 (11.8)	200 (7.9)	620 (24.4)	2720 (5.98)	1900 (4.18)
P01-48x240/390x540-C	540 (21.3)	390 (15.4)	245 (9.6)	710 (28.0)	3140 (6.91)	1900 (4.18)
P01-48x240/480x630-C	630 (24.8)	480 (18.9)	290 (11.4)	800 (31.5)	3560 (7.83)	1900 (4.18)
P01-48x240/600x750-C	750 (29.5)	600 (23.6)	350 (13.8)	920 (36.2)	4120 (9.06)	1900 (4.18)
P01-48x240/690x840-C	840 (33.1)	690 (27.2)	395 (15.6)	1010 (39.8)	4540 (9.99)	1900 (4.18)
P01-48x240/900x1050-C	1050 (41.3)	900 (35.4)	500 (19.7)	1220 (48.0)	5510 (12.12)	1900 (4.18)
P01-48x240/1080x1230-C	1230 (48.4)	1080 (42.5)	590 (23.2)	1400 (55.1)	6350 (13.97)	1900 (4.18)
P01-48x240/1290x1440-C	1440 (56.7)	1290 (50.8)	695 (27.4)	1610 (63.4)	7330 (16.13)	1900 (4.18)

Linear Motor P01-48x240F/...-C (fast winding)

Motor Type P01-48x240F fast winding		Servo Controller	Series E100	Series E1000 ^{3) 4)}	Series E1100	Series E1100-HC
		Supply Voltage	48VDC	72VDC	72VDC	72VDC
Peak Force	F _p	N (lbf)	-	138 (31.0)	92 (20.7)	345 (77.6)
Continuous Force	F _c	N (lbf)	-	138 (31.0)	92 (20.7)	150 (33.7)
Border Force	F _b	N (lbf)	-	100 (22.5)	67 (15.01)	254 (57.1)
Force Constant	C _F	N/A _{peak}	-	23 (5.2)	23 (5.2)	23 (5.2)
Max. Acceleration ⁵⁾	a _{max.}	m/s ²	-	94	63	236
Max. Velocity	v _{max.}	m/s	-	3.1	3.1	3.1
Position Repeatability		mm (Inch)	-	±0.1 (0.0039)	±0.1 (0.0039)	±0.1 (0.0039)

³⁾ max. one P01-48x240F servo controller ⁴⁾ additional phase inductivity 0.3uH required ⁵⁾ P01-48x240F/30x180

Stroke - Force diagram



Description	Max. Stroke LS mm (Inch)	Shortened Stroke SS mm (Inch)	Zero Position ZP mm (Inch)	Slider Length mm (Inch)	Slider Mass g (lb)	Stator Mass g (lb)
P01-48x240F/30x180-C	180 (7.1)	30 (1.2)	65 (2.6)	350 (13.8)	1460 (3.21)	1900 (4.18)
P01-48x240F/90x240-C	240 (9.4)	90 (3.5)	95 (3.7)	410 (16.1)	1740 (3.83)	1900 (4.18)
P01-48x240F/180x330-C	330 (13)	180 (7.1)	140 (5.5)	500 (19.7)	2160 (4.75)	1900 (4.18)
P01-48x240F/300x450-C	450 (17.7)	300 (11.8)	200 (7.9)	620 (24.4)	2720 (5.98)	1900 (4.18)
P01-48x240F/390x540-C	540 (21.3)	390 (15.4)	245 (9.6)	710 (28.0)	3140 (6.91)	1900 (4.18)
P01-48x240F/480x630-C	630 (24.8)	480 (18.9)	290 (11.4)	800 (31.5)	3560 (7.83)	1900 (4.18)
P01-48x240F/600x750-C	750 (29.5)	600 (23.6)	350 (13.8)	920 (36.2)	4120 (9.06)	1900 (4.18)
P01-48x240F/690x840-C	840 (33.1)	690 (27.2)	395 (15.6)	1010 (39.8)	4540 (9.99)	1900 (4.18)
P01-48x240F/900x1050-C	1050 (41.3)	900 (35.4)	500 (19.7)	1220 (48.0)	5510 (12.12)	1900 (4.18)
P01-48x240F/1080x1230-C	1230 (48.4)	1080 (42.5)	590 (23.2)	1400 (55.1)	6350 (13.97)	1900 (4.18)
P01-48x240F/1290x1440-C	1440 (56.7)	1290 (50.8)	695 (27.4)	1610 (63.4)	7330 (16.13)	1900 (4.18)

Technical data –C type connector

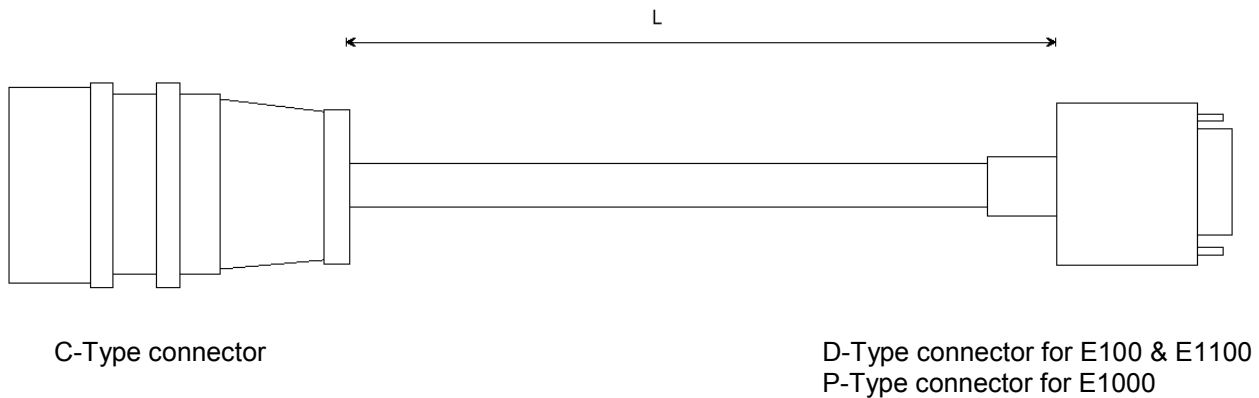
Type:	M23 round connector	Pins:	9
Material:	Metal with nickel coating	Contacts:	Gold coated
Protection:	IP67	Connections:	Solder Points
Certification:	UL	Cable diameter:	6-12mm
		Temperature Range:	-40°C +125°C

Pin connection –C type connector

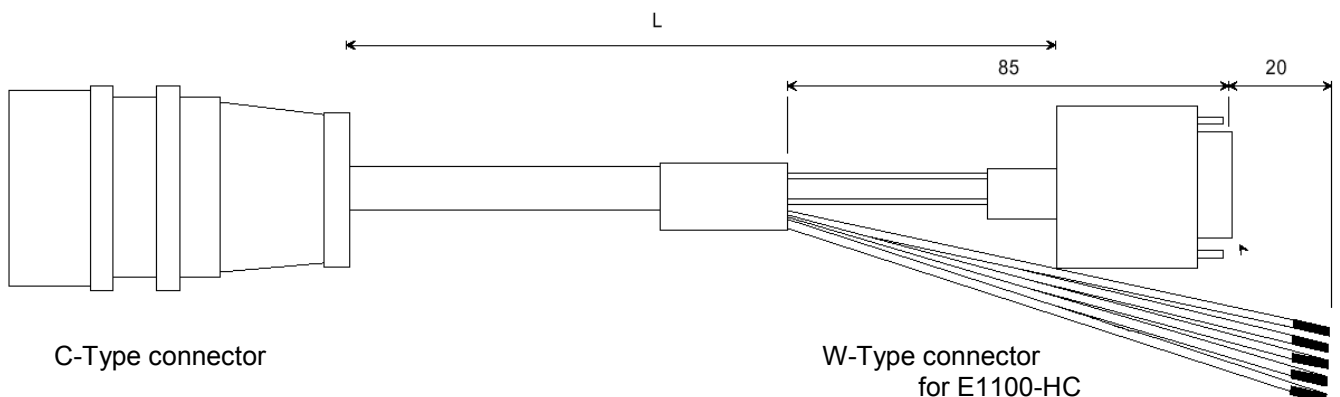
	Pin A	Red	Phase 1+
	Pin B	Pink	Phase 1-
	Pin C	Blue	Phase 2+
	Pin D	Grey	Phase 2-
	Pin E	White	+5V
	Pin F	Inner shield	AGND
	Pin G	Yellow	Sensor Sine
	Pin H	Green	Sensor Cosine
	Pin L	Black	Temp.

* the inner shield must be connected only to pin F. It must be isolated from outer shield or connector case

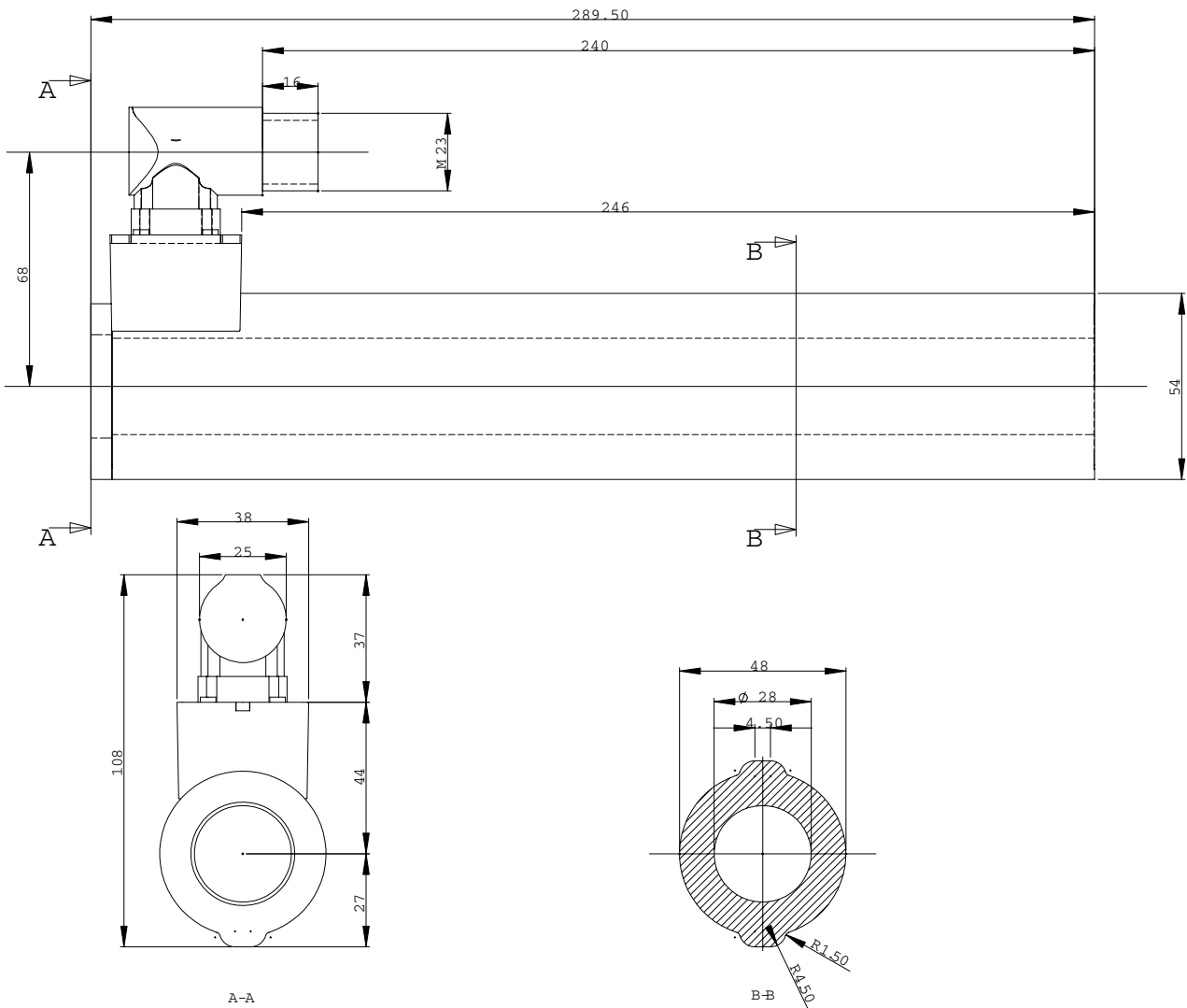
Extension Cable for C-Type Linear Motors and E100, E1000 & E1100 Servo Controllers



Extension Cable for C-Type Linear Motors and E1100-HC Servo Controllers

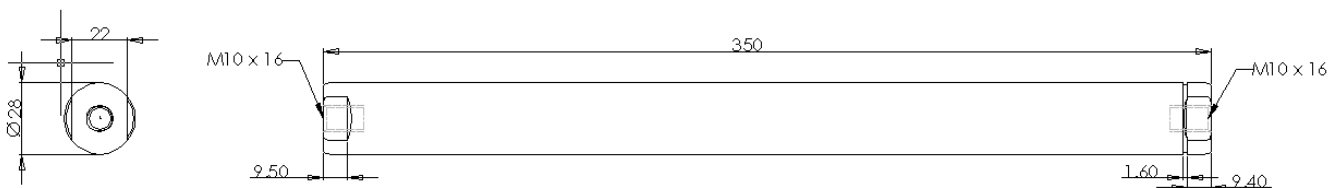


Physical dimensions Linear Motor Stator PS01-48x240 and PS01-48x240F

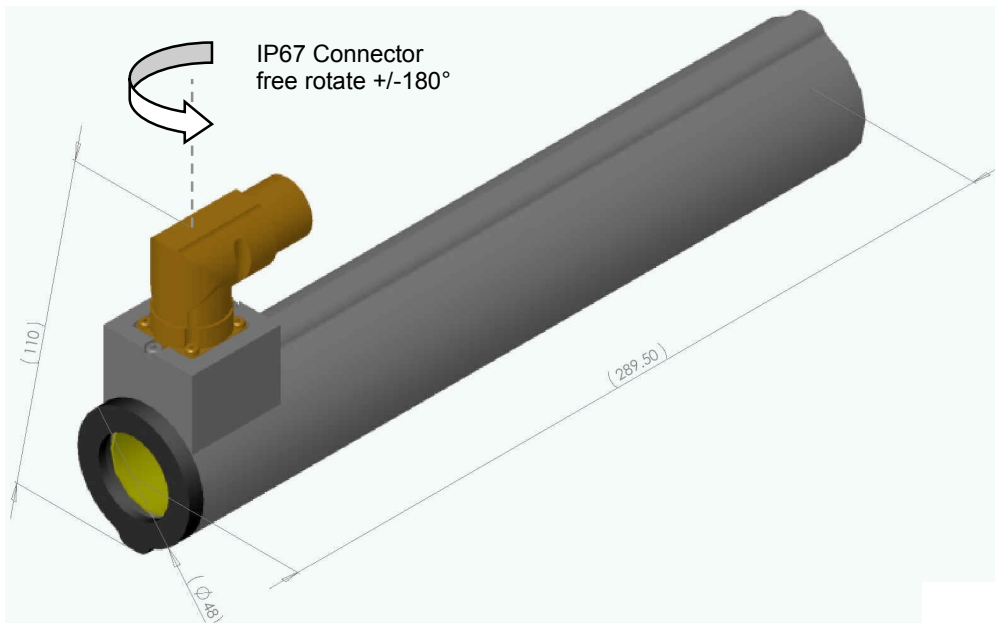


2D and 3D CAD drawings available on www.LinMot.com

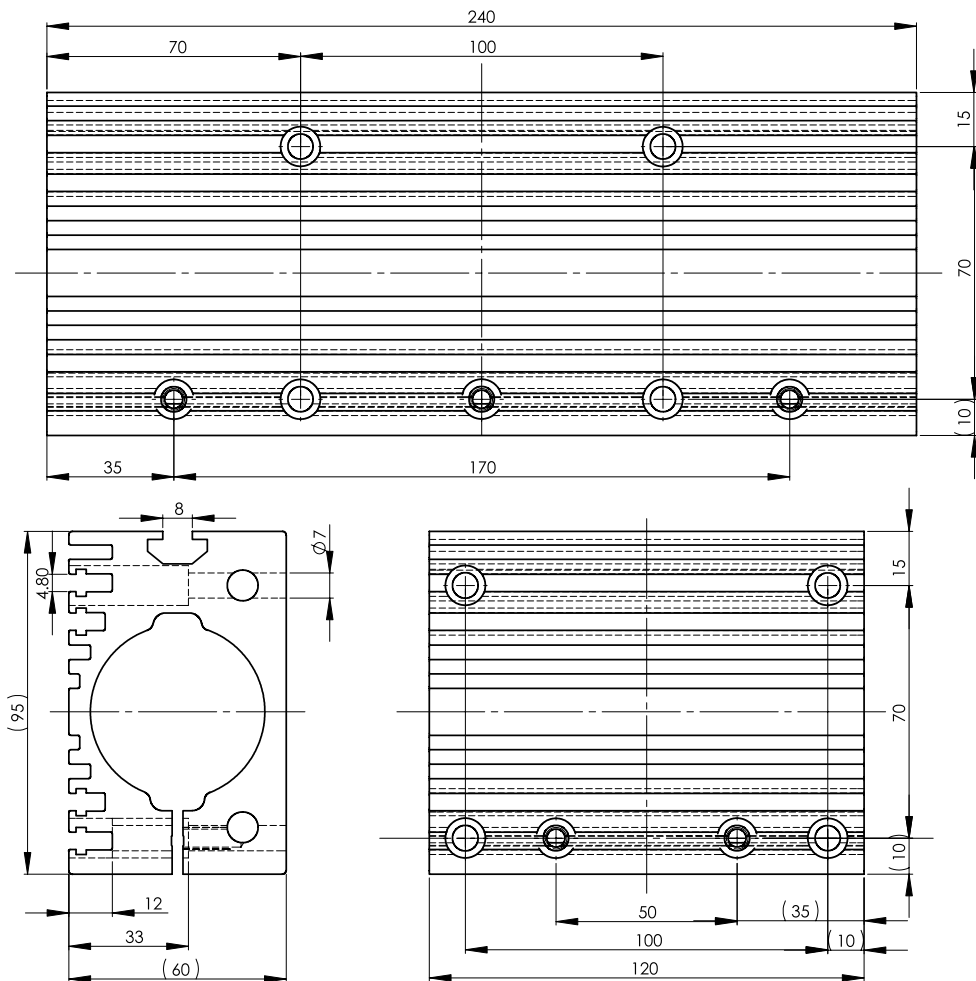
Physical dimensions Linear Motor Sliders PL01-48x...



2D and 3D CAD drawings available on www.LinMot.com



Physical dimensions Mounting Flange PF01-48x...



2D and 3D CAD drawings available on www.LinMot.com

Ordering Information

Linear Motors		Stators		Slider		
Description	Part No.	Description	Part No.		Description	Part No.
Standard winding						
P01-48x240/30x180-C	⇒	PS01-48x240-C	0150-1219	&	PL01-28x350/270	0150-1380
P01-48x240/90x240-C	⇒	PS01-48x240-C	0150-1219	&	PL01-28x410/330	0150-1381
P01-48x240/180x330-C	⇒	PS01-48x240-C	0150-1219	&	PL01-28x500/420	0150-1382
P01-48x240/300x450-C	⇒	PS01-48x240-C	0150-1219	&	PL01-28x620/540	0150-1383
P01-48x240/390x540-C	⇒	PS01-48x240-C	0150-1219	&	PL01-28x710/630	0150-1384
P01-48x240/480x630-C	⇒	PS01-48x240-C	0150-1219	&	PL01-28x800/720	0150-1385
P01-48x240/600x750-C	⇒	PS01-48x240-C	0150-1219	&	PL01-28x920/840	0150-1386
P01-48x240/690x840-C	⇒	PS01-48x240-C	0150-1219	&	PL01-28x1010/930	0150-1387
P01-48x240/900x1050-C	⇒	PS01-48x240-C	0150-1219	&	PL01-28x1220/1140	0150-1388
P01-48x240/1080x1230-C	⇒	PS01-48x240-C	0150-1219	&	PL01-28x1400/1320	0150-1389
P01-48x240/1290x1440-C	⇒	PS01-48x240-C	0150-1219	&	PL01-28x1610/1530	0150-1390
Fast winding F						
P01-48x240F/30x180-C	⇒	PS01-48x240F-C	0150-1220	&	PL01-28x350/270	0150-1380
P01-48x240F/90x240-C	⇒	PS01-48x240F-C	0150-1220	&	PL01-28x410/330	0150-1381
P01-48x240F/180x330-C	⇒	PS01-48x240F-C	0150-1220	&	PL01-28x500/420	0150-1382
P01-48x240F/300x450-C	⇒	PS01-48x240F-C	0150-1220	&	PL01-28x620/540	0150-1383
P01-48x240F/390x540-C	⇒	PS01-48x240F-C	0150-1220	&	PL01-28x710/630	0150-1384
P01-48x240F/480x630-C	⇒	PS01-48x240F-C	0150-1220	&	PL01-28x800/720	0150-1385
P01-48x240F/600x750-C	⇒	PS01-48x240F-C	0150-1220	&	PL01-28x920/840	0150-1386
P01-48x240F/690x840-C	⇒	PS01-48x240F-C	0150-1220	&	PL01-28x1010/930	0150-1387
P01-48x240F/900x1050-C	⇒	PS01-48x240F-C	0150-1220	&	PL01-28x1220/1140	0150-1388
P01-48x240F/1080x1230-C	⇒	PS01-48x240F-C	0150-1220	&	PL01-28x1400/1320	0150-1389
P01-48x240F/1290x1440-C	⇒	PS01-48x240F-C	0150-1220	&	PL01-28x1610/1530	0150-1390

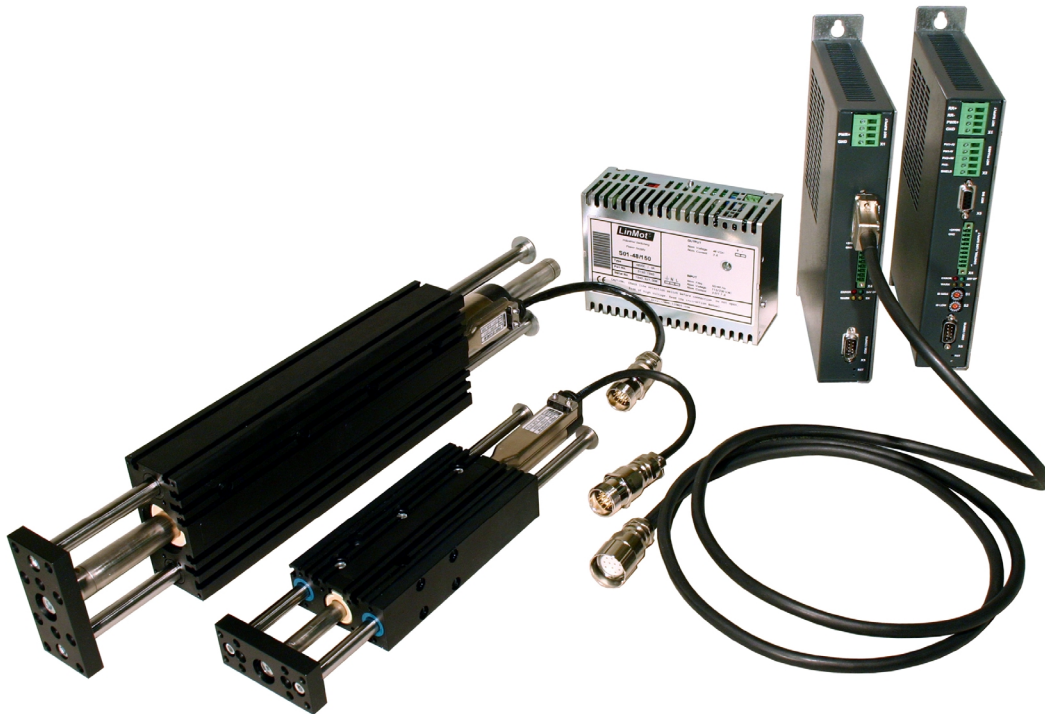
⇒ Stators and sliders have to be ordered separately

Mounting Flanges

Article	Description	Part No.
PF01-48x120	Flange 48x120mm	0150-1976
PF01-48x240	Flange 48x240mm	0150-1975
HV01-37/48	Fan cooling set for P01-37 and P01-48	0150-5051

Motor Cable

Article	Description	Part No.
For Servo Controllers E100 & E1100		
K05-D/C-02	Extension cable 2m for –C Type Motors (E100, E1100)	0150-1819
K05-D/C-04	Extension cable 4m for –C Type Motors (E100, E1100)	0150-1820
K05-D/C-06	Extension cable 6m for –C Type Motors (E100, E1100)	0150-1821
K05-D/C-08	Extension cable 8m for –C Type Motors (E100, E1100)	0150-1822
KS05-D/C-04	Trailing chain cable 4m for –C Type Motors (E100, E1100)	0150-1823
KS05-D/C-08	Trailing chain cable 8m for –C Type Motors (E100, E1100)	0150-1824
For Servo Controllers E1000		
K05-P/C-02	Extension cable 2m for –C Type Motors (E1000)	0150-1818
K05-P/C-04	Extension cable 4m for –C Type Motors (E1000)	0150-1804
K05-P/C-06	Extension cable 6m for –C Type Motors (E1000)	0150-1805
K05-P/C-08	Extension cable 8m for –C Type Motors (E1000)	0150-1806
KS05-P/C-04	Trailing chain cable 4m for –C Type Motors (E1000)	0150-1809
KS05-P/C-08	Trailing chain cable 8m for –C Type Motors (E1000)	0150-1810
For Servo Controllers E1100-HC		
K15-W/C-02	Extension cable 2m for –C Type Motors (E1100-HC)	0150-1811
K15-W/C-04	Extension cable 4m for –C Type Motors (E1100-HC)	0150-1801
K15-W/C-06	Extension cable 6m for –C Type Motors (E1100-HC)	0150-1802
K15-W/C-08	Extension cable 8m for –C Type Motors (E1100-HC)	0150-1803
KS10-W/C-04	Trailing chain cable 4m for –C Type Motors (E1100-HC)	0150-1807
KS10-W/C-08	Trailing chain cable 8m for –C Type Motors (E1100-HC)	0150-1808
KS10-C/C-02	Trailing chain cable 2m for –C Type Motors (-C Type Connector)	0150-1816
KS10-C/C-04	Trailing chain cable 4m for –C Type Motors (-C Type Connector)	0150-1817



Smart solutions are...



V1.1 Subject to alternations

Contact Addresses

LinMot Products are available from more than 80 Distributors worldwide.
Ask us for the Distributor nearest to you:

NTI AG

LinMot
Technoparkstr. 1
CH-8005 Zürich
Schweizerland

Tel. +41 (0)1 445 22 82 or +41 848 546 668
Fax. +41 (0)1 445 22 81
email: office@LinMot.com
Web: www.LinMot.com

LinMot Inc.

N2444 Broad Street
Delavan
WI 53115
USA

Phone +1-877-546-3270
Fax: +1-800-463-8708
email: officeUS@LinMot.com
Web: www.LinMot.com