

# LinMot®

## Linear Motors Series P01-48x360



**Up to 1'000N Force**



**IP67 protection class**



**Purely electrical drive system**

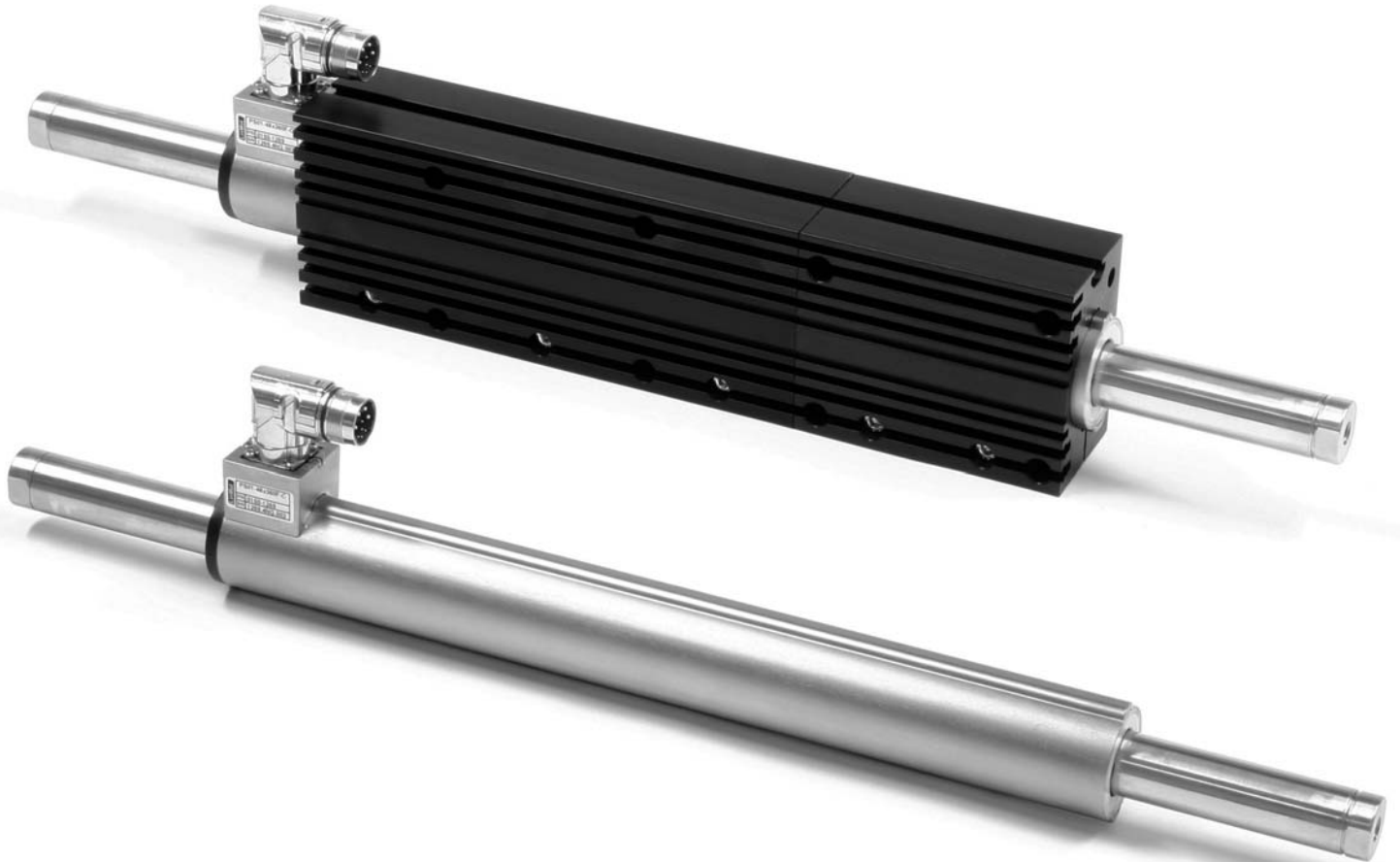


**Freely positionable along entire stroke**



**For precise and dynamic positioning tasks**

**The linear motor technology for industrial applications**



**P01-48x360F/60x210 3**

**P01-48x360F/180x330 5**

**P01-48x360F/270x420 7**

**P01-48x360F/360x510 9**

**P01-48x360F/480x630 11**

**P01-48x360F/570x720 13**

**P01-48x360F/780x930 15**

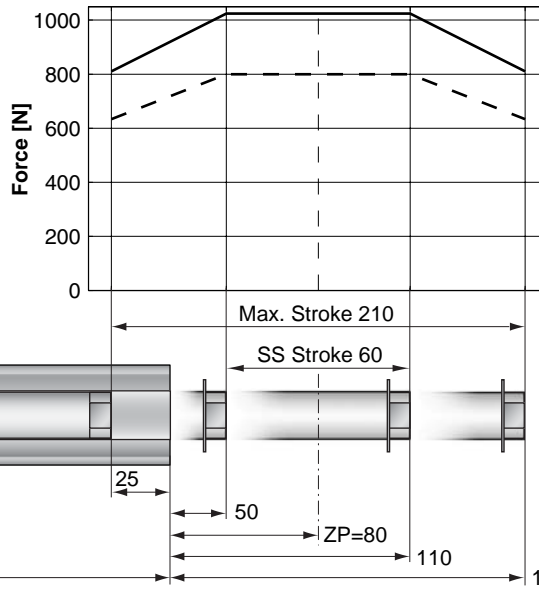
**P01-48x360F/960x1110 17**

**P01-48x360F/1170x1320 19**

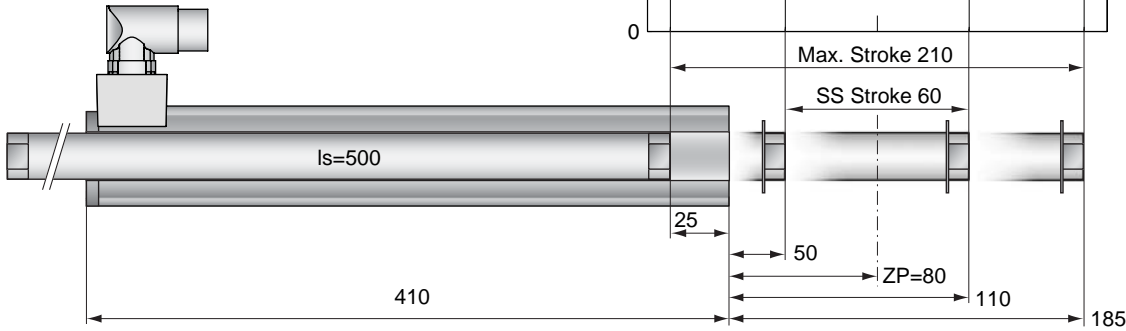
**P01-48x360F/1380x1530 21**

**P01-48x360F/1560x1710 23**

**Max. Stroke:** 210mm  
**Peak Force:** 1024N



— E1250-UC, 72VDC  
 - - - E1100-XC, 72VDC

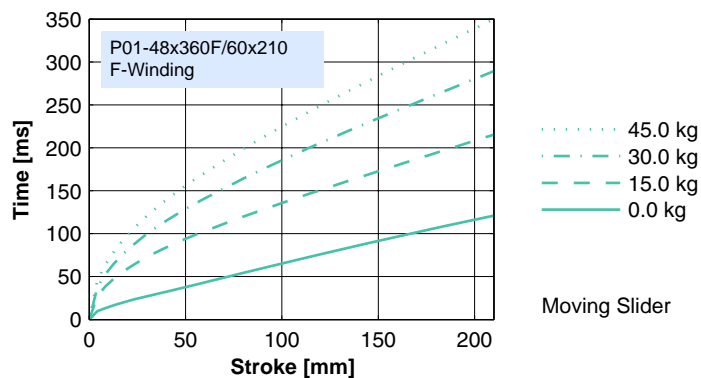


Dimensions in mm

## Motor Specification

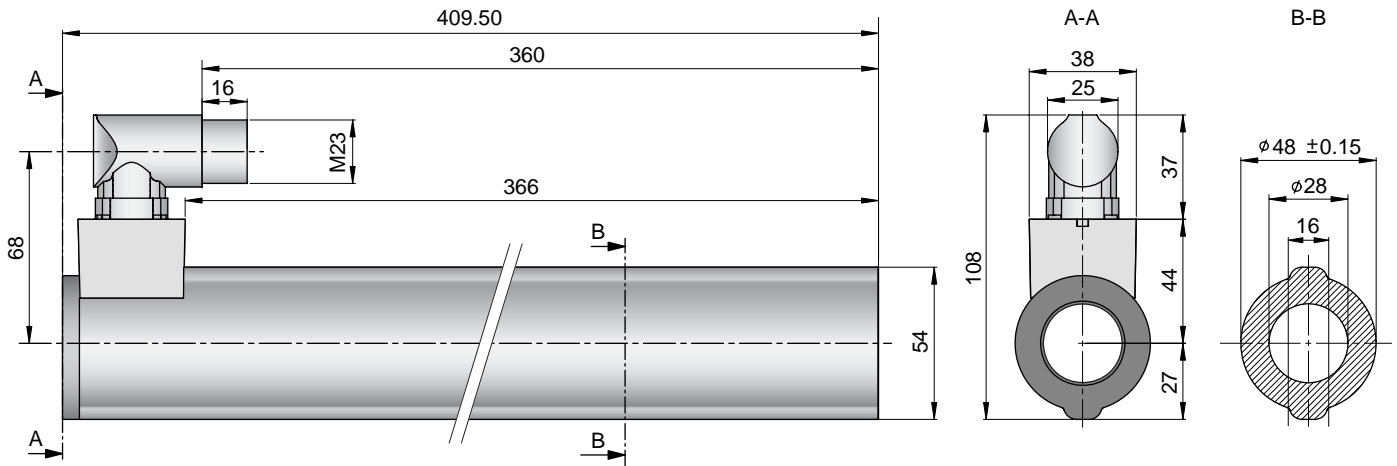
		F-Winding	
		48x360F/60x210-C	
P01-			
Stroke Max.	mm (in)	210 (8.27)	
Stroke SS	mm (in)	60 (2.36)	
Peak Force E1250-UC	N (lbf)	1024 (230.1)	
Peak Force E1100-XC	N (lbf)	800 (179.8)	
Cont. Force	N (lbf)	203 (45.7)	
Cont. Force Fan cooling	N (lbf)	354 (79.7)	
Border Force	%	79	
Force Constant	N/A (lbf/A)	32.0 (7.19)	
Max. Current @ 72VDC	A	32.0	
Max. Velocity @ 72VDC	m/s (in/s)	2.1 (82)	
Phase Resist. 25/80 °C	Ohm	1.38/1.67	
Phase Inductance	mH	1.6	
Thermal Resistance	°K/W	0.8	
Thermal Time Const.	sec	3200	
Stator Diameter	mm (in)	48 (1.89)	
Stator Length	mm (in)	410 (16.12)	
Stator Mass	g (lb)	2880 (6.35)	
Slider Diameter	mm (in)	28 (1.10)	
Slider Length	mm (in)	500 (19.69)	
Slider Mass	g (lb)	2160 (4.76)	
Position Repeatability	mm (in)	±0.05 (±0.0020)	
Linearity	%	±0.25	
Position Rep. with ES	mm (in)	±0.01 (±0.0004)	
Linearity with ES	mm (in)	±0.01 (±0.0004)	

## Position-Time Diagram



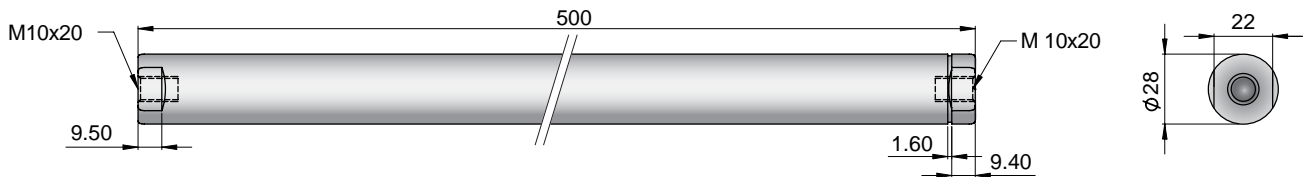
Moving Slider

## Connector Type



Linear Motor		Stator		Slider	
Type	Art.No	Type	Art. No.	Type	Art No.
P01-48x360F/60x210-C	-->	PS01-48x360F-C	0150-1269	& PL01-28x500/420	0150-1382

## Slider



Standard Type	Slider Standard	PL01-28x500/420	0150-1382
Special Sliders	Heavy Duty Slider with WC/C-Coating	PL02-28x500/420	0150-1413
	Hollow Slider hole diameter 6mm	PL01-28x500/420-L	0150-1480
	High Clearance Slider d=27mm	PL01-27x500/420	on request

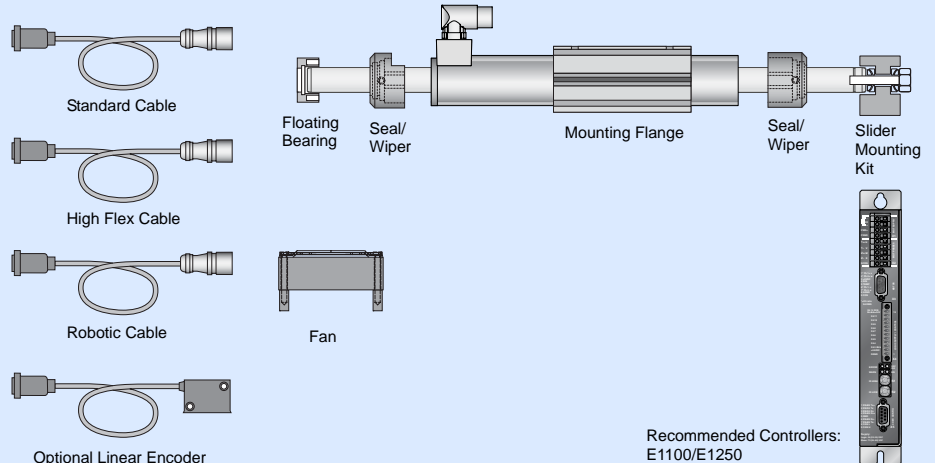
## Connectors

### Motor connector Wiring

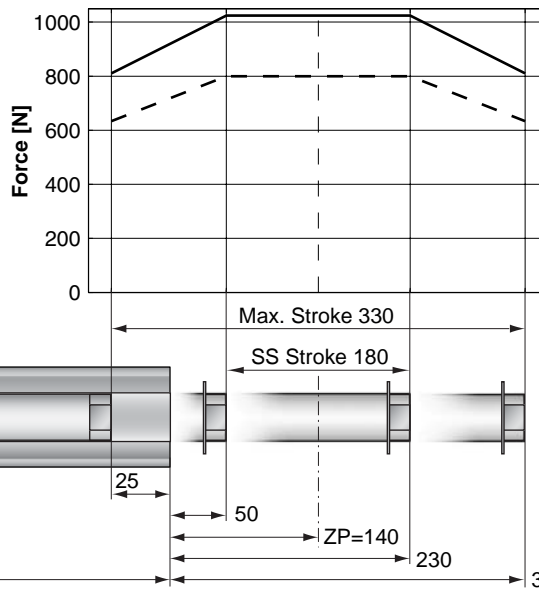
P01-48...-C

Ph 1+	Red	A
Ph 1-	Pink	B
Ph 2+	Blue	C
Ph 2-	Grey	D
+5VDC	White	E
GND	Inner Shield	F
Sine	Yellow	G
Cosine	Green	H
Temp.	Black	L
Shield	Outer Shield	Case

## Accessoires



**Max. Stroke:** 330mm  
**Peak Force:** 1024N



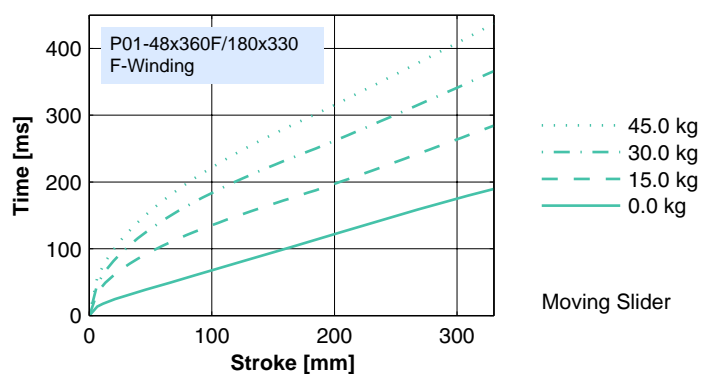
— E1250-UC, 72VDC  
 - - - E1100-XC, 72VDC

Dimensions in mm

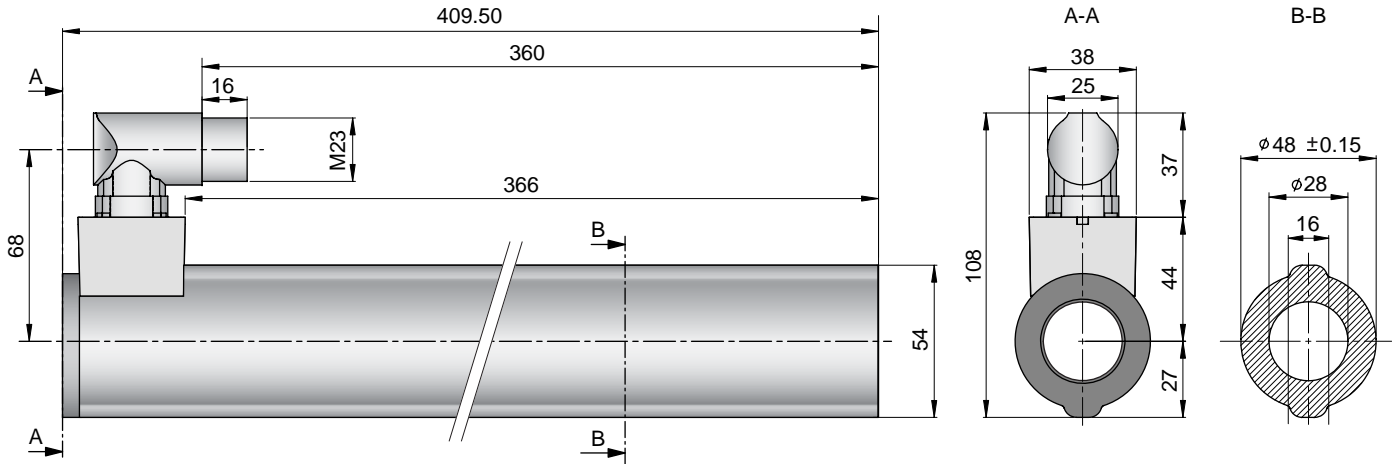
## Motor Specification

		F-Winding	
		48x360F/180x330-C	
Stroke Max.	mm (in)	330 (12.99)	
Stroke SS	mm (in)	180 (7.09)	
Peak Force E1250-UC	N (lbf)	1024 (230.1)	
Peak Force E1100-XC	N (lbf)	800 (179.8)	
Cont. Force	N (lbf)	203 (45.7)	
Cont. Force Fan cooling	N (lbf)	354 (79.7)	
Border Force	%	79	
Force Constant	N/A (lbf/A)	32.0 (7.19)	
Max. Current @ 72VDC	A	32.0	
Max. Velocity @ 72VDC	m/s (in/s)	2.1 (82)	
Phase Resist. 25/80 °C	Ohm	1.38/1.67	
Phase Inductance	mH	1.6	
Thermal Resistance	°K/W	0.8	
Thermal Time Const.	sec	3200	
Stator Diameter	mm (in)	48 (1.89)	
Stator Length	mm (in)	410 (16.12)	
Stator Mass	g (lb)	2880 (6.35)	
Slider Diameter	mm (in)	28 (1.10)	
Slider Length	mm (in)	620 (24.41)	
Slider Mass	g (lb)	2720 (6.00)	
Position Repeatability	mm (in)	±0.05 (±0.0020)	
Linearity	%	±0.20	
Position Rep. with ES	mm (in)	±0.01 (±0.0004)	
Linearity with ES	mm (in)	±0.01 (±0.0004)	

## Position-Time Diagram

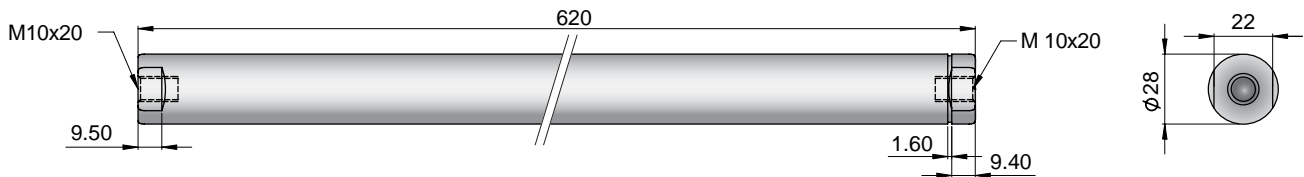


## Connector Type



Linear Motor		Stator		Slider	
Type	Art.No	Type	Art. No.	Type	Art No.
P01-48x360F/180x330-C	-->	PS01-48x360F-C	0150-1269	& PL01-28x620/540	0150-1383

## Slider



Standard Type	Slider Standard	PL01-28x620/540	0150-1383
Special Sliders	Heavy Duty Slider with WC/C-Coating	PL02-28x620/540	0150-1414
	Hollow Slider hole diameter 6mm	PL01-28x620/540-L	0150-1481
	High Clearance Slider d=27mm	PL01-27x620/540	on request

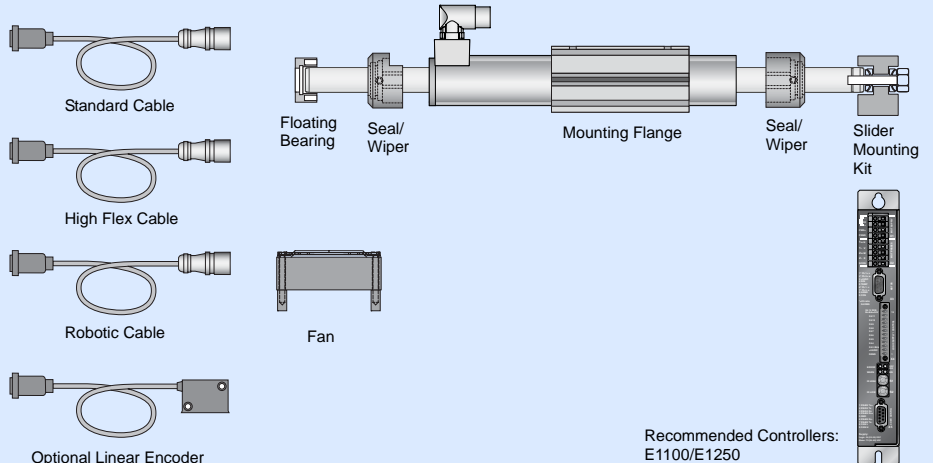
## Connectors

### Motor connector Wiring

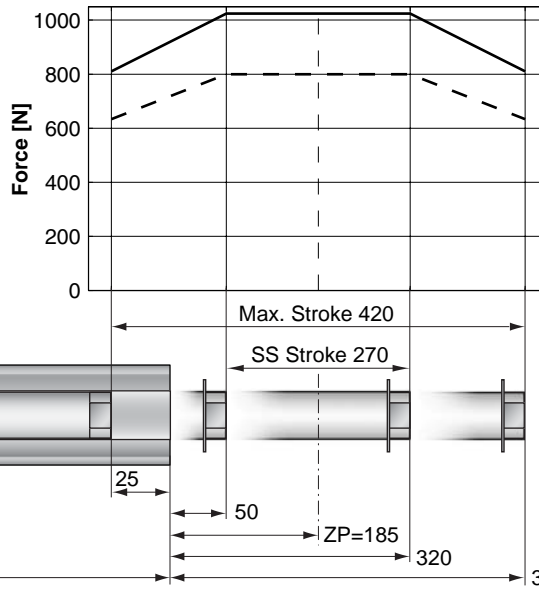
P01-48...-C

Ph 1+	Red	A
Ph 1-	Pink	B
Ph 2+	Blue	C
Ph 2-	Grey	D
+5VDC	White	E
GND	Inner Shield	F
Sine	Yellow	G
Cosine	Green	H
Temp.	Black	L
Shield	Outer Shield	Case

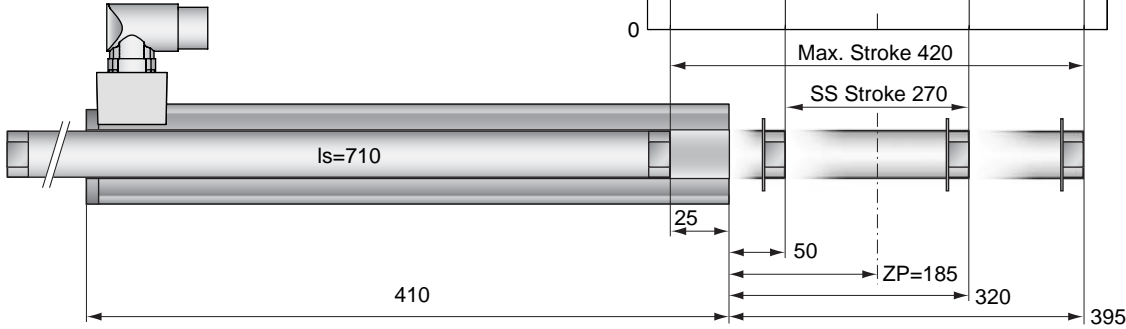
## Accessoires



**Max. Stroke:** 420mm  
**Peak Force:** 1024N



— E1250-UC, 72VDC  
 - - - E1100-XC, 72VDC

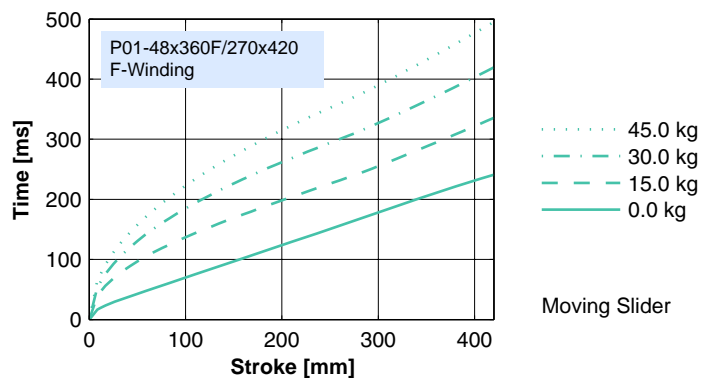


Dimensions in mm

## Motor Specification

		F-Winding	
		48x360F/270x420-C	
Stroke Max.	mm (in)	420 (16.54)	
Stroke SS	mm (in)	270 (10.63)	
Peak Force E1250-UC	N (lbf)	1024 (230.1)	
Peak Force E1100-XC	N (lbf)	800 (179.8)	
Cont. Force	N (lbf)	203 (45.7)	
Cont. Force Fan cooling	N (lbf)	354 (79.7)	
Border Force	%	79	
Force Constant	N/A (lbf/A)	32.0 (7.19)	
Max. Current @ 72VDC	A	32.0	
Max. Velocity @ 72VDC	m/s (in/s)	2.1 (82)	
Phase Resist. 25/80 °C	Ohm	1.38/1.67	
Phase Inductance	mH	1.6	
Thermal Resistance	°K/W	0.8	
Thermal Time Const.	sec	3200	
Stator Diameter	mm (in)	48 (1.89)	
Stator Length	mm (in)	410 (16.12)	
Stator Mass	g (lb)	2880 (6.35)	
Slider Diameter	mm (in)	28 (1.10)	
Slider Length	mm (in)	710 (27.95)	
Slider Mass	g (lb)	3140 (6.92)	
Position Repeatability	mm (in)	±0.05 (±0.0020)	
Linearity	%	±0.15	
Position Rep. with ES	mm (in)	±0.01 (±0.0004)	
Linearity with ES	mm (in)	±0.01 (±0.0004)	

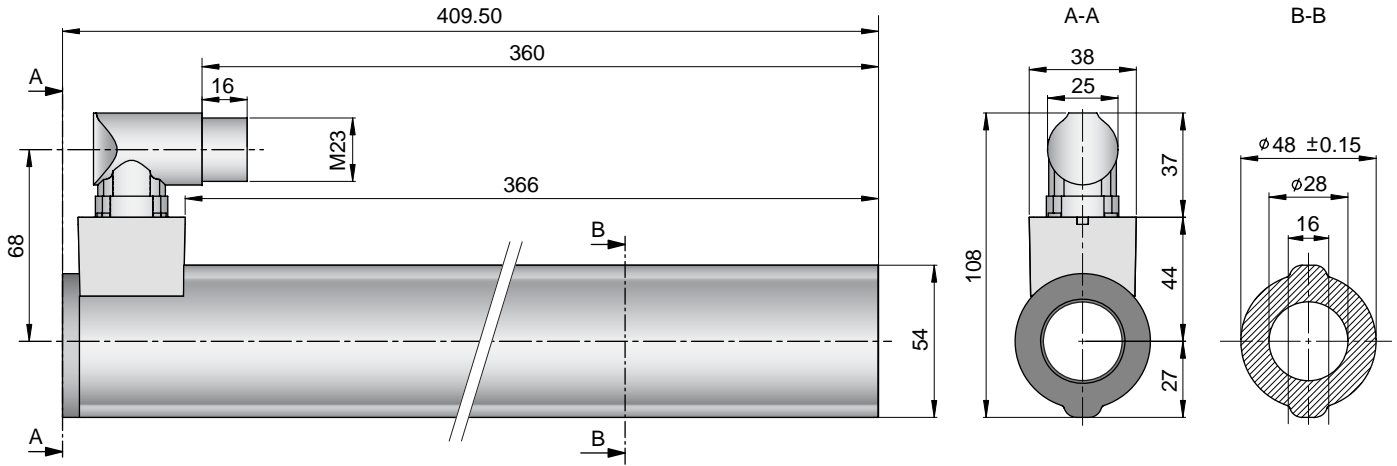
## Position-Time Diagram



Moving Slider

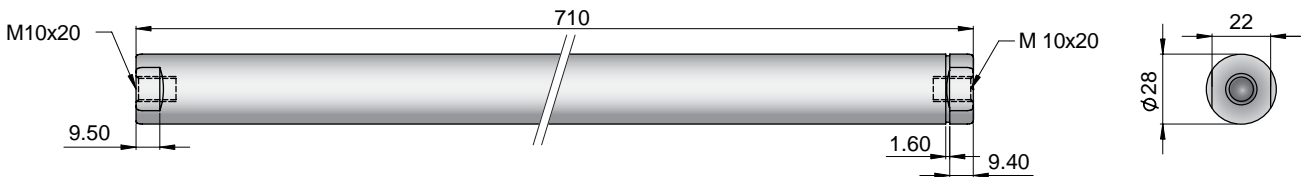


## Connector Type



Linear Motor		Stator		Slider	
Type	Art.No	Type	Art. No.	Type	Art No.
P01-48x360F/270x420-C	-->	PS01-48x360F-C	0150-1269	& PL01-28x710/630	0150-1384

## Slider



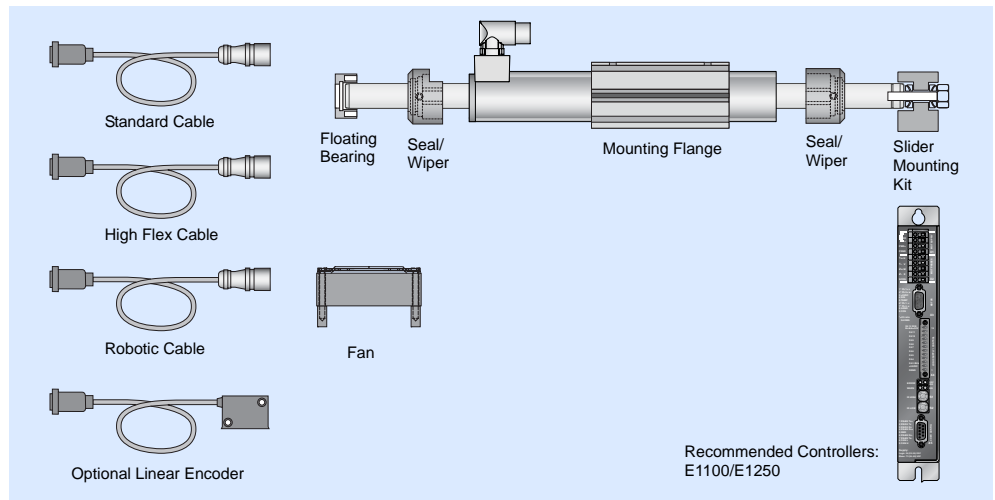
Standard Type	Slider Standard	PL01-28x710/630	0150-1384
Special Sliders	Heavy Duty Slider with WC/C-Coating	PL02-28x710/630	0150-1415
	Hollow Slider hole diameter 6mm	PL01-28x710/630-L	0150-1482
	High Clearance Slider d=27mm	PL01-27x710/630	on request

## Connectors

### Motor connector Wiring

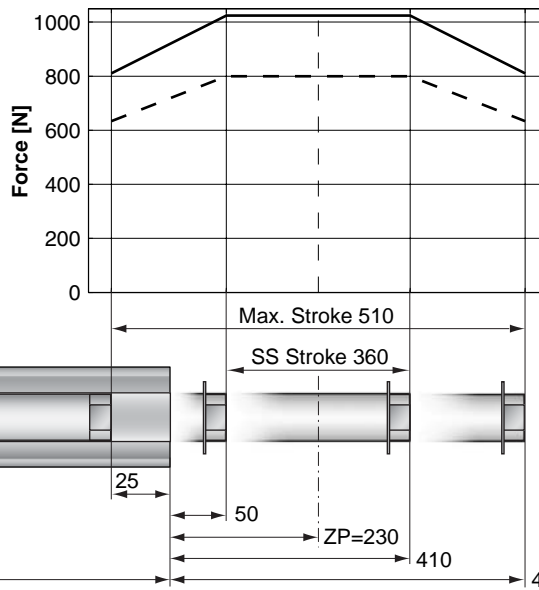
		P01-48...-C
Ph 1+	Red	A
Ph 1-	Pink	B
Ph 2+	Blue	C
Ph 2-	Grey	D
+5VDC	White	E
GND	Inner Shield	F
Sine	Yellow	G
Cosine	Green	H
Temp.	Black	L
Shield	Outer Shield	Case

## Accessoires

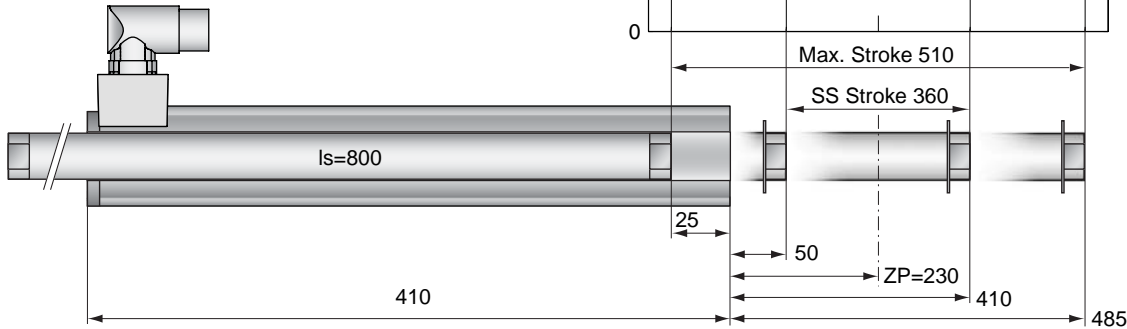


Recommended Controllers:  
E1100/E1250

**Max. Stroke: 510mm**  
**Peak Force: 1024N**



— E1250-UC, 72VDC  
 - - - E1100-XC, 72VDC

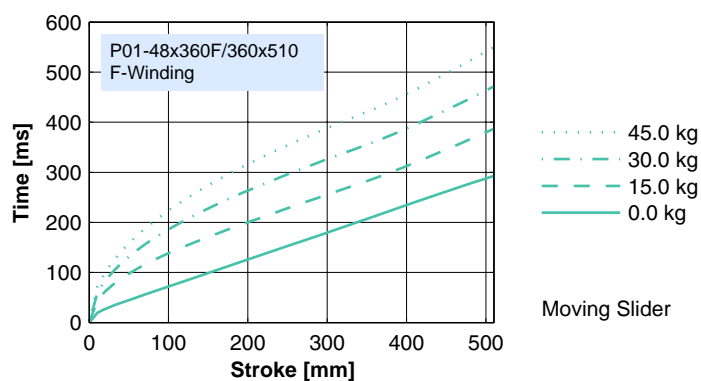


Dimensions in mm

## Motor Specification

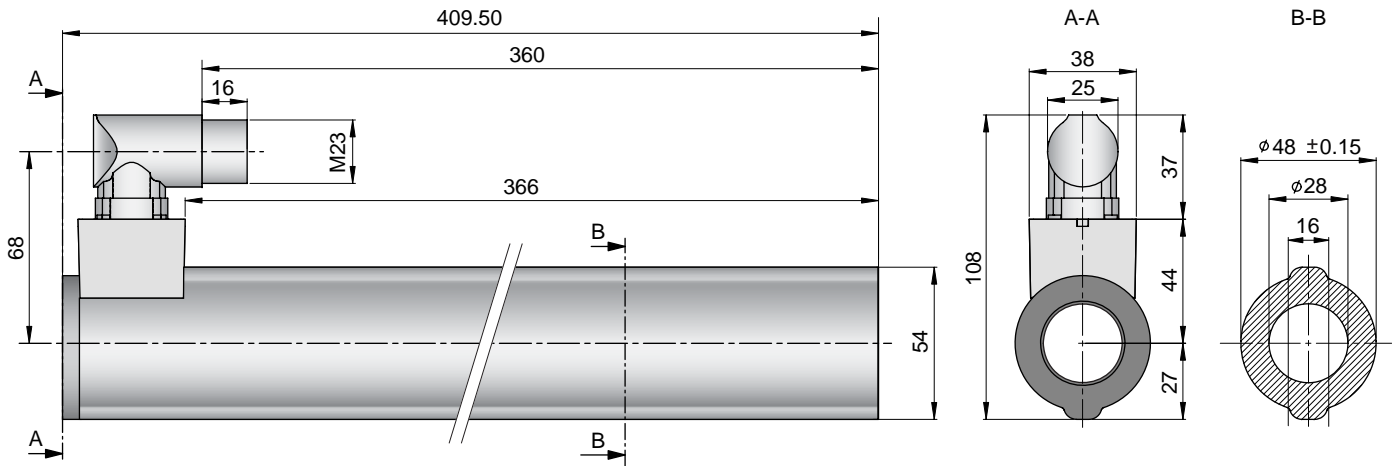
		F-Winding	
		48x360F/360x510-C	
Stroke Max.	mm (in)	510 (20.08)	
Stroke SS	mm (in)	360 (14.17)	
Peak Force E1250-UC	N (lbf)	1024 (230.1)	
Peak Force E1100-XC	N (lbf)	800 (179.8)	
Cont. Force	N (lbf)	203 (45.7)	
Cont. Force Fan cooling	N (lbf)	354 (79.7)	
Border Force	%	79	
Force Constant	N/A (lbf/A)	32.0 (7.19)	
Max. Current @ 72VDC	A	32.0	
Max. Velocity @ 72VDC	m/s (in/s)	2.1 (82)	
Phase Resist. 25/80 °C	Ohm	1.38/1.67	
Phase Inductance	mH	1.6	
Thermal Resistance	°K/W	0.8	
Thermal Time Const.	sec	3200	
Stator Diameter	mm (in)	48 (1.89)	
Stator Length	mm (in)	410 (16.12)	
Stator Mass	g (lb)	2880 (6.35)	
Slider Diameter	mm (in)	28 (1.10)	
Slider Length	mm (in)	800 (31.50)	
Slider Mass	g (lb)	3560 (7.85)	
Position Repeatability	mm (in)	±0.05 (±0.0020)	
Linearity	%	±0.15	
Position Rep. with ES	mm (in)	±0.01 (±0.0004)	
Linearity with ES	mm (in)	±0.01 (±0.0004)	

## Position-Time Diagram



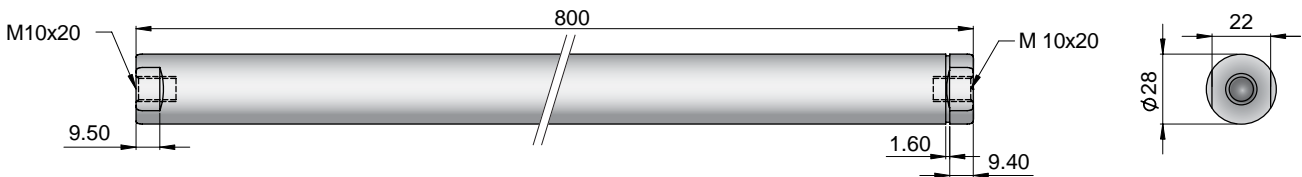
Moving Slider

## Connector Type



Linear Motor		Stator		Slider	
Type	Art.No	Type	Art. No.	Type	Art No.
P01-48x360F/360x510-C	-->	PS01-48x360F-C	0150-1269	& PL01-28x800/720	0150-1385

## Slider



Standard Type	Slider Standard	PL01-28x800/720	0150-1385
Special Sliders	Heavy Duty Slider with WC/C-Coating	PL02-28x800/720	0150-1416
	Hollow Slider hole diameter 6mm	PL01-28x800/720-L	0150-1483
	High Clearance Slider d=27mm	PL01-27x800/720	on request

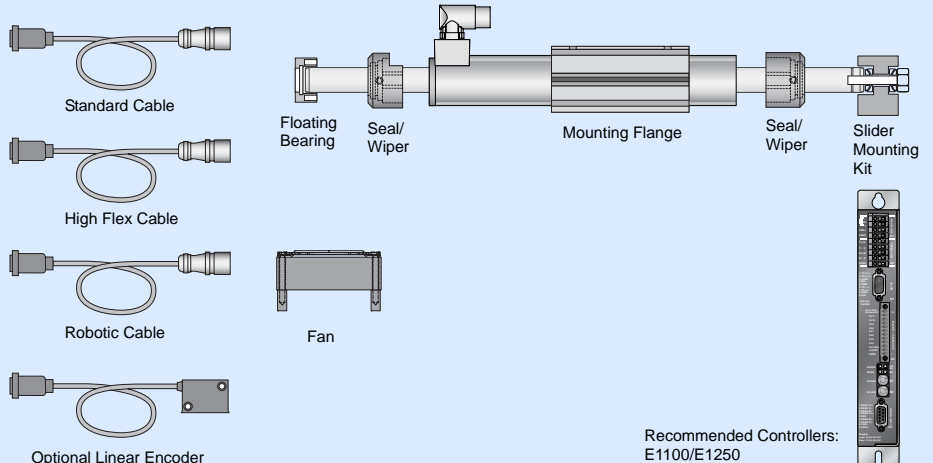
## Connectors

### Motor connector Wiring

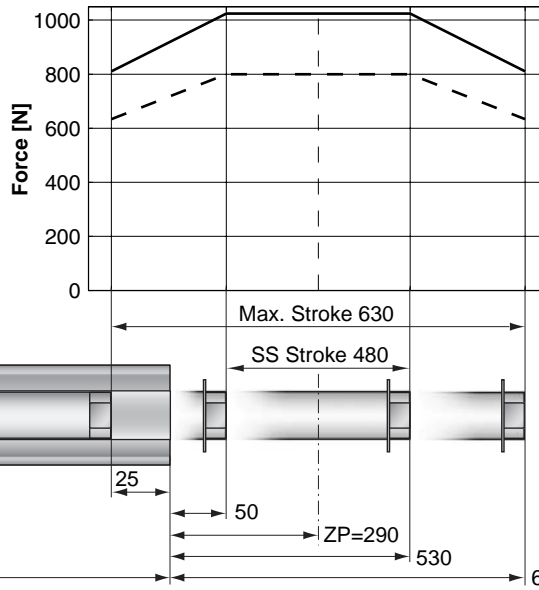
P01-48...-C

Ph 1+	Red	A
Ph 1-	Pink	B
Ph 2+	Blue	C
Ph 2-	Grey	D
+5VDC	White	E
GND	Inner Shield	F
Sine	Yellow	G
Cosine	Green	H
Temp.	Black	L
Shield	Outer Shield	Case

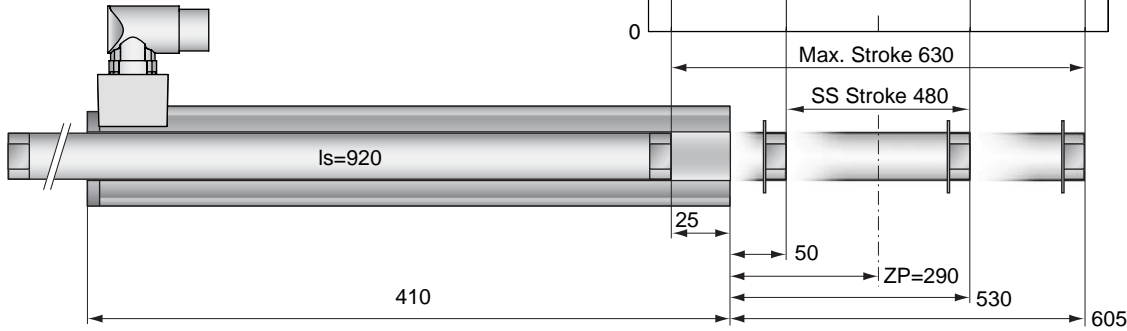
## Accessoires



**Max. Stroke:** 630mm  
**Peak Force:** 1024N



— E1250-UC, 72VDC  
 - - - E1100-XC, 72VDC

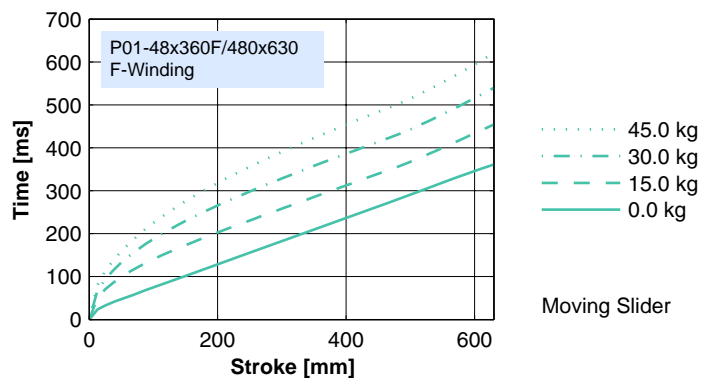


Dimensions in mm

## Motor Specification

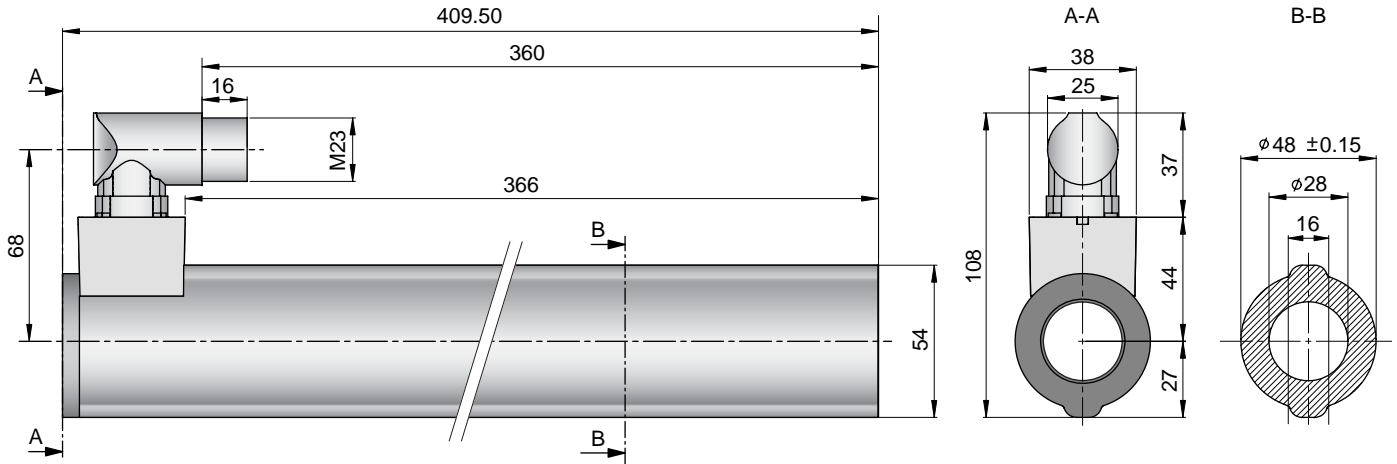
		F-Winding	
		48x360F/480x630-C	
Stroke Max.	mm (in)	630 (24.80)	
Stroke SS	mm (in)	480 (18.90)	
Peak Force E1250-UC	N (lbf)	1024 (230.1)	
Peak Force E1100-XC	N (lbf)	800 (179.8)	
Cont. Force	N (lbf)	203 (45.7)	
Cont. Force Fan cooling	N (lbf)	354 (79.7)	
Border Force	%	79	
Force Constant	N/A (lbf/A)	32.0 (7.19)	
Max. Current @ 72VDC	A	32.0	
Max. Velocity @ 72VDC	m/s (in/s)	2.1 (82)	
Phase Resist. 25/80 °C	Ohm	1.38/1.67	
Phase Inductance	mH	1.6	
Thermal Resistance	°K/W	0.8	
Thermal Time Const.	sec	3200	
Stator Diameter	mm (in)	48 (1.89)	
Stator Length	mm (in)	410 (16.12)	
Stator Mass	g (lb)	2880 (6.35)	
Slider Diameter	mm (in)	28 (1.10)	
Slider Length	mm (in)	920 (36.22)	
Slider Mass	g (lb)	4120 (9.08)	
Position Repeatability	mm (in)	±0.05 (±0.0020)	
Linearity	%	±0.15	
Position Rep. with ES	mm (in)	±0.01 (±0.0004)	
Linearity with ES	mm (in)	±0.01 (±0.0004)	

## Position-Time Diagram



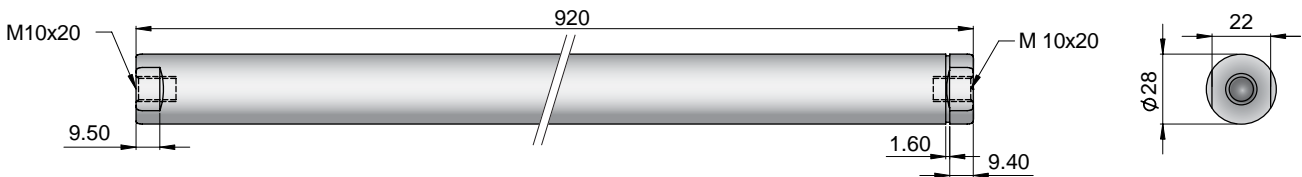
Moving Slider

## Connector Type



Linear Motor		Stator		Slider	
Type	Art.No	Type	Art. No.	Type	Art No.
P01-48x360F/480x630-C	-->	PS01-48x360F-C	0150-1269	& PL01-28x920/840	0150-1386

## Slider



Standard Type	Slider Standard	PL01-28x920/840	0150-1386
Special Sliders	Heavy Duty Slider with WC/C-Coating	PL02-28x920/840	0150-1417
	Hollow Slider hole diameter 6mm	PL01-28x920/840-L	on request
	High Clearance Slider d=27mm	PL01-27x920/840	on request

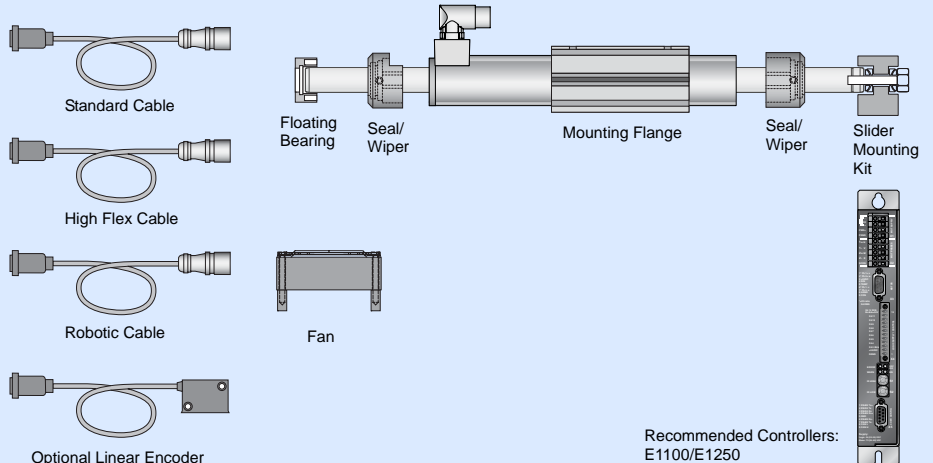
## Connectors

### Motor connector Wiring

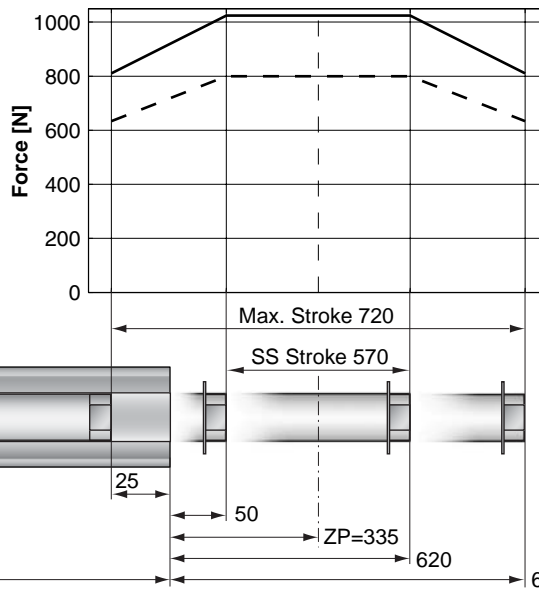
P01-48...-C

Ph 1+	Red	A
Ph 1-	Pink	B
Ph 2+	Blue	C
Ph 2-	Grey	D
+5VDC	White	E
GND	Inner Shield	F
Sine	Yellow	G
Cosine	Green	H
Temp.	Black	L
Shield	Outer Shield	Case

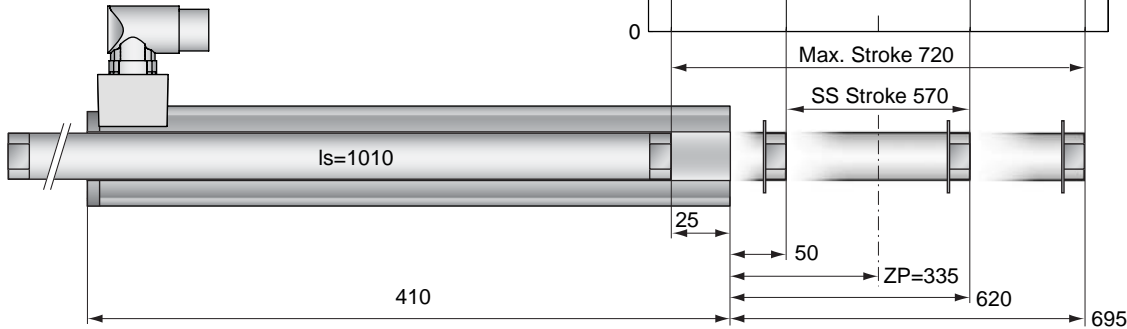
## Accessoires



**Max. Stroke:** 720mm  
**Peak Force:** 1024N



— E1250-UC, 72VDC  
 - - - E1100-XC, 72VDC

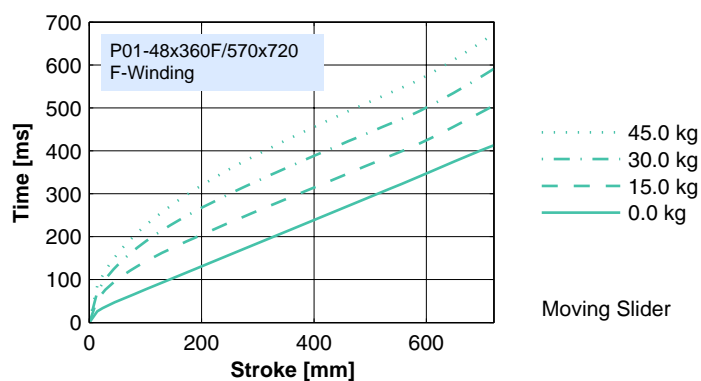


Dimensions in mm

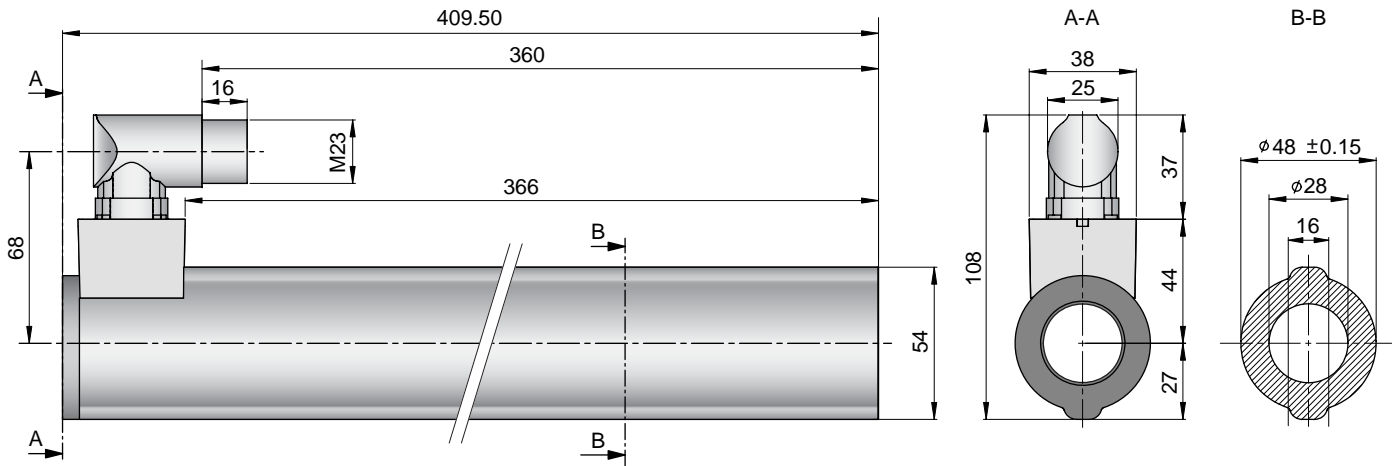
## Motor Specification

		F-Winding	
		48x360F/570x720-C	
Stroke Max.	mm (in)	720 (28.35)	
Stroke SS	mm (in)	570 (22.44)	
Peak Force E1250-UC	N (lbf)	1024 (230.1)	
Peak Force E1100-XC	N (lbf)	800 (179.8)	
Cont. Force	N (lbf)	203 (45.7)	
Cont. Force Fan cooling	N (lbf)	354 (79.7)	
Border Force	%	79	
Force Constant	N/A (lbf/A)	32.0 (7.19)	
Max. Current @ 72VDC	A	32.0	
Max. Velocity @ 72VDC	m/s (in/s)	2.1 (82)	
Phase Resist. 25/80 °C	Ohm	1.38/1.67	
Phase Inductance	mH	1.6	
Thermal Resistance	°K/W	0.8	
Thermal Time Const.	sec	3200	
Stator Diameter	mm (in)	48 (1.89)	
Stator Length	mm (in)	410 (16.12)	
Stator Mass	g (lb)	2880 (6.35)	
Slider Diameter	mm (in)	28 (1.10)	
Slider Length	mm (in)	1010 (39.76)	
Slider Mass	g (lb)	4540 (10.01)	
Position Repeatability	mm (in)	±0.05 (±0.0020)	
Linearity	%	±0.10	
Position Rep. with ES	mm (in)	±0.01 (±0.0004)	
Linearity with ES	mm (in)	±0.01 (±0.0004)	

## Position-Time Diagram

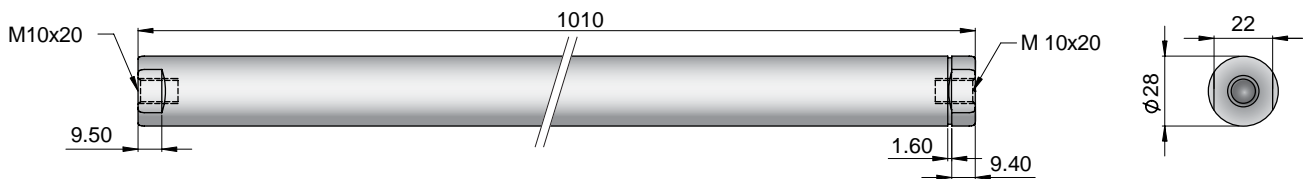


## Connector Type



Linear Motor		Stator		Slider	
Type	Art.No	Type	Art. No.	Type	Art No.
P01-48x360F/570x720-C	-->	PS01-48x360F-C	0150-1269	& PL01-28x1010/930	0150-1387

## Slider



Standard Type	Slider Standard	PL01-28x1010/930	0150-1387
Special Sliders	Heavy Duty Slider with WC/C-Coating	PL02-28x1010/930	on request
	Hollow Slider hole diameter 6mm	PL01-28x1010/930-L	on request
	High Clearance Slider d=27mm	PL01-27x1010/930	on request

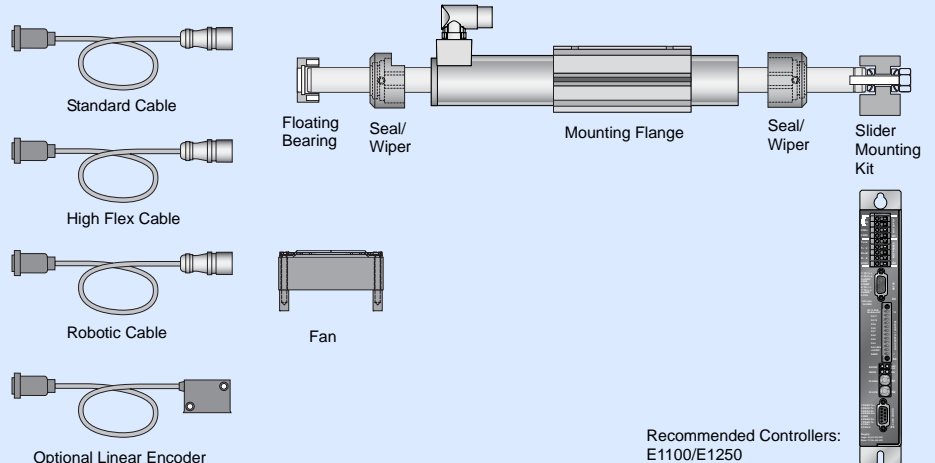
## Connectors

### Motor connector Wiring

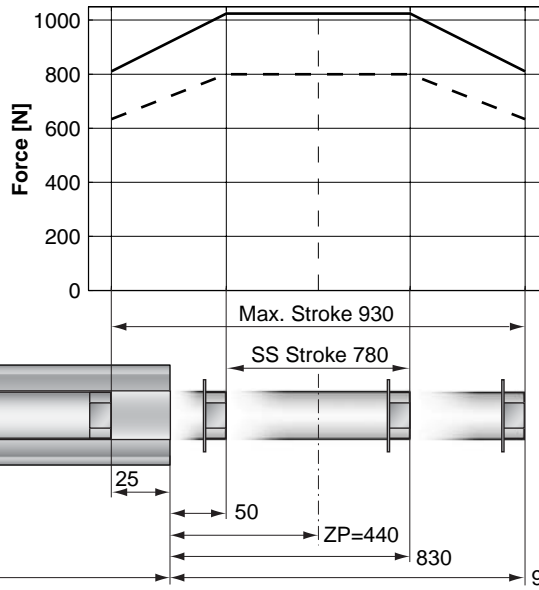
P01-48...-C

Ph 1+	Red	A
Ph 1-	Pink	B
Ph 2+	Blue	C
Ph 2-	Grey	D
+5VDC	White	E
GND	Inner Shield	F
Sine	Yellow	G
Cosine	Green	H
Temp.	Black	L
Shield	Outer Shield	Case

## Accessoires



**Max. Stroke:** 930mm  
**Peak Force:** 1024N



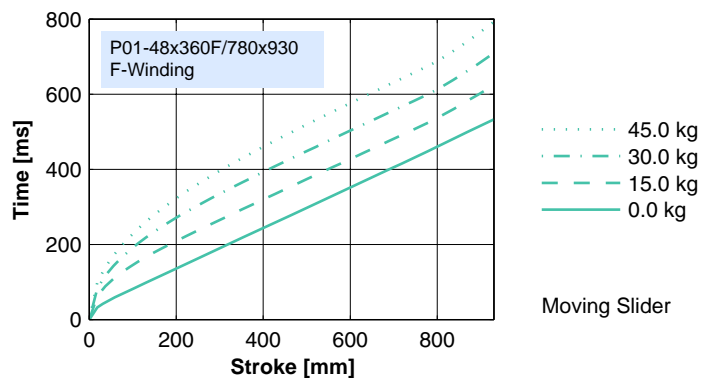
— E1250-UC, 72VDC  
 - - - E1100-XC, 72VDC

Dimensions in mm

## Motor Specification

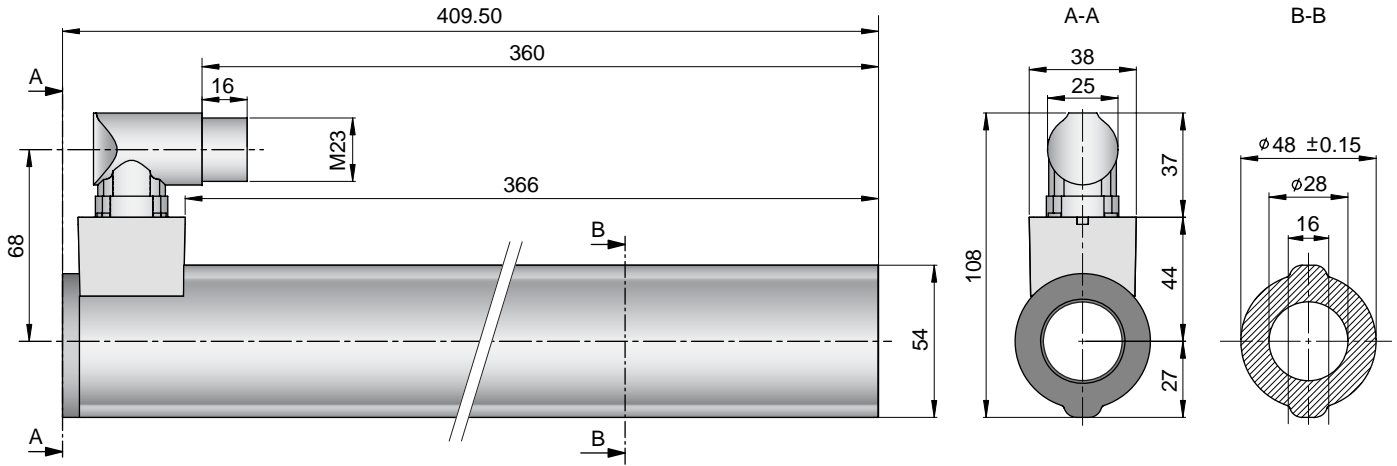
		F-Winding	
		48x360F/780x930-C	
Stroke Max.	mm (in)	930 (36.61)	
Stroke SS	mm (in)	780 (30.71)	
Peak Force E1250-UC	N (lbf)	1024 (230.1)	
Peak Force E1100-XC	N (lbf)	800 (179.8)	
Cont. Force	N (lbf)	203 (45.7)	
Cont. Force Fan cooling	N (lbf)	354 (79.7)	
Border Force	%	79	
Force Constant	N/A (lbf/A)	32.0 (7.19)	
Max. Current @ 72VDC	A	32.0	
Max. Velocity @ 72VDC	m/s (in/s)	2.1 (82)	
Phase Resist. 25/80 °C	Ohm	1.38/1.67	
Phase Inductance	mH	1.6	
Thermal Resistance	°K/W	0.8	
Thermal Time Const.	sec	3200	
Stator Diameter	mm (in)	48 (1.89)	
Stator Length	mm (in)	410 (16.12)	
Stator Mass	g (lb)	2880 (6.35)	
Slider Diameter	mm (in)	28 (1.10)	
Slider Length	mm (in)	1220 (48.03)	
Slider Mass	g (lb)	5510 (12.15)	
Position Repeatability	mm (in)	±0.05 (±0.0020)	
Linearity	%	±0.10	
Position Rep. with ES	mm (in)	±0.01 (±0.0004)	
Linearity with ES	mm (in)	±0.01 (±0.0004)	

## Position-Time Diagram



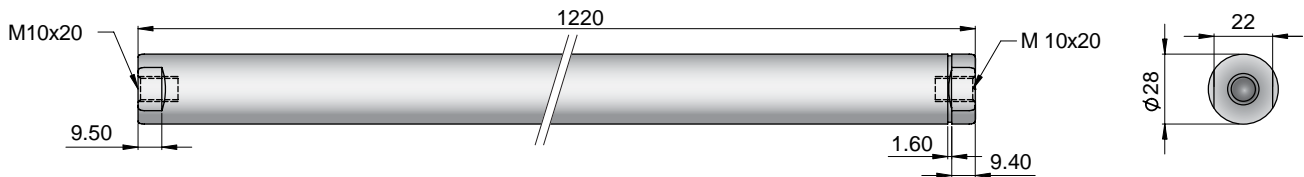


## Connector Type



Linear Motor		Stator		Slider	
Type	Art.No	Type	Art. No.	Type	Art No.
P01-48x360F/780x930-C	-->	PS01-48x360F-C	0150-1269	& PL01-28x1220/1140	0150-1388

## Slider



Standard Type	Slider Standard	PL01-28x1220/1140	0150-1388
Special Sliders	Heavy Duty Slider with WC/C-Coating	PL02-28x1220/1140	on request
	Hollow Slider hole diameter 6mm	PL01-28x1220/1140-L	on request
	High Clearance Slider d=27mm	PL01-27x1220/1140	on request

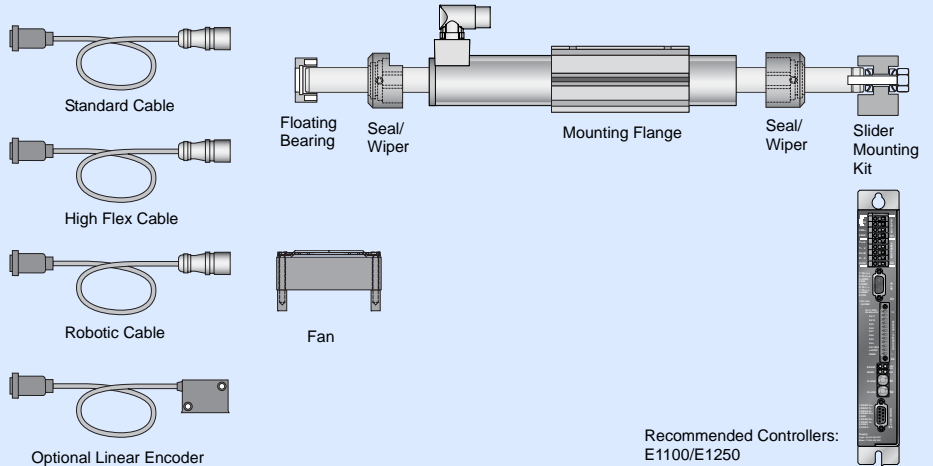
## Connectors

### Motor connector Wiring

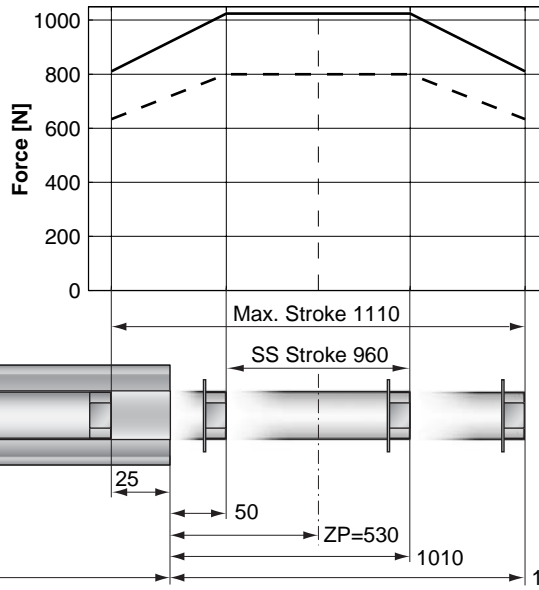
P01-48...-C

Ph 1+	Red	A
Ph 1-	Pink	B
Ph 2+	Blue	C
Ph 2-	Grey	D
+5VDC	White	E
GND	Inner Shield	F
Sine	Yellow	G
Cosine	Green	H
Temp.	Black	L
Shield	Outer Shield	Case

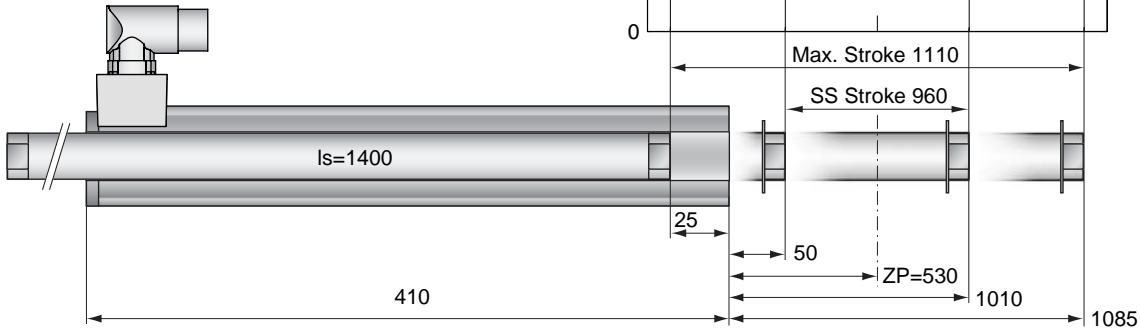
## Accessoires



**Max. Stroke:** 1110mm  
**Peak Force:** 1024N



— E1250-UC, 72VDC  
 - - - E1100-XC, 72VDC

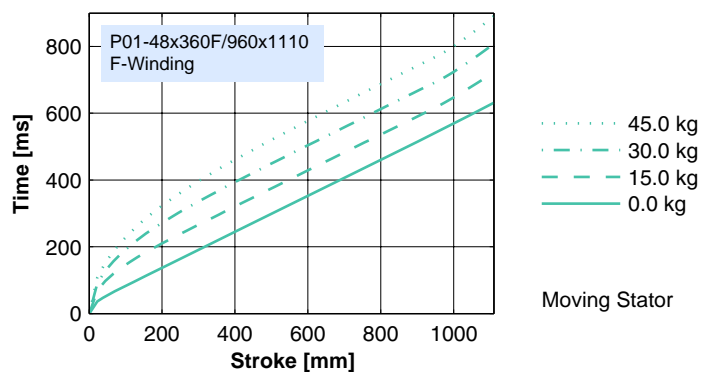


Dimensions in mm

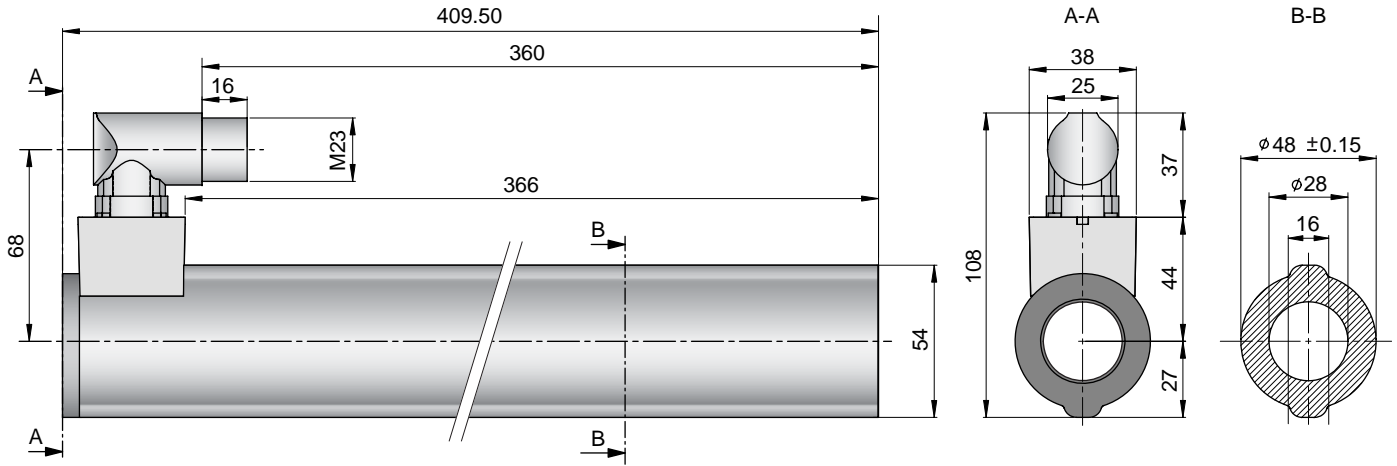
## Motor Specification

		F-Winding	
		48x360F/960x1110-C	
Stroke Max.	mm (in)	1110 (43.70)	
Stroke SS	mm (in)	960 (37.80)	
Peak Force E1250-UC	N (lbf)	1024 (230.1)	
Peak Force E1100-XC	N (lbf)	800 (179.8)	
Cont. Force	N (lbf)	203 (45.7)	
Cont. Force Fan cooling	N (lbf)	354 (79.7)	
Border Force	%	79	
Force Constant	N/A (lbf/A)	32.0 (7.19)	
Max. Current @ 72VDC	A	32.0	
Max. Velocity @ 72VDC	m/s (in/s)	2.1 (82)	
Phase Resist. 25/80 °C	Ohm	1.38/1.67	
Phase Inductance	mH	1.6	
Thermal Resistance	°K/W	0.8	
Thermal Time Const.	sec	3200	
Stator Diameter	mm (in)	48 (1.89)	
Stator Length	mm (in)	410 (16.12)	
Stator Mass	g (lb)	2880 (6.35)	
Slider Diameter	mm (in)	28 (1.10)	
Slider Length	mm (in)	1400 (55.12)	
Slider Mass	g (lb)	6350 (14.00)	
Position Repeatability	mm (in)	±0.05 (±0.0020)	
Linearity	%	±0.10	
Position Rep. with ES	mm (in)	±0.01 (±0.0004)	
Linearity with ES	mm (in)	±0.01 (±0.0004)	

## Position-Time Diagram

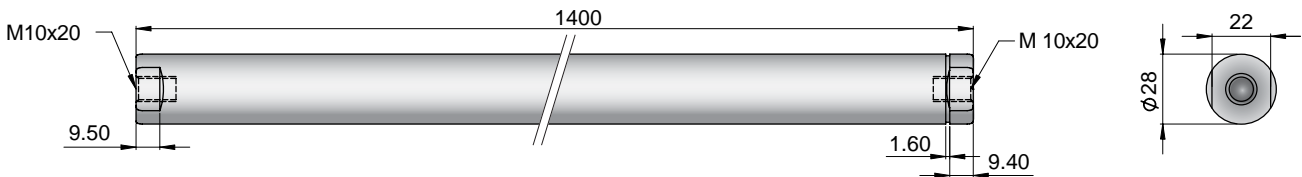


## Connector Type



Linear Motor		Stator		Slider	
Type	Art.No	Type	Art. No.	Type	Art No.
P01-48x360F/960x1110-C	-->	PS01-48x360F-C	0150-1269	& PL01-28x1400/1320	0150-1389

## Slider



Standard Type	Slider Standard	PL01-28x1400/1320	0150-1389
Special Sliders	Heavy Duty Slider with WC/C-Coating	PL02-28x1400/1320	on request
	Hollow Slider hole diameter 6mm	PL01-28x1400/1320-L	on request
	High Clearance Slider d=27mm	PL01-27x1400/1320	on request

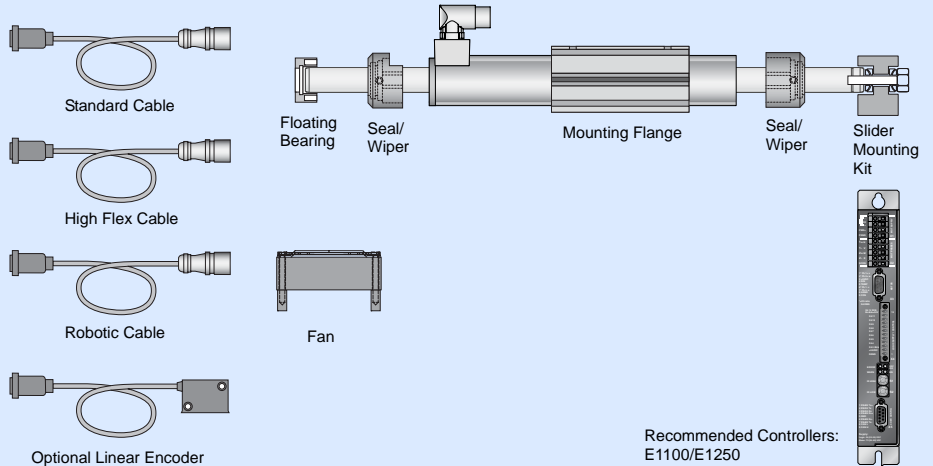
## Connectors

### Motor connector Wiring

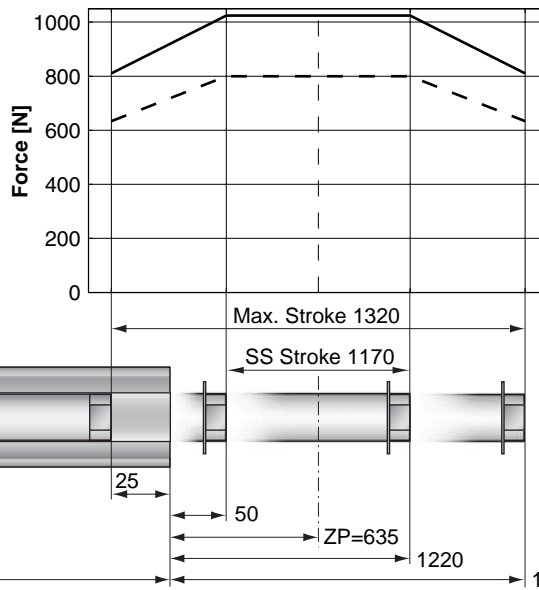
P01-48...-C

Ph 1+	Red	A
Ph 1-	Pink	B
Ph 2+	Blue	C
Ph 2-	Grey	D
+5VDC	White	E
GND	Inner Shield	F
Sine	Yellow	G
Cosine	Green	H
Temp.	Black	L
Shield	Outer Shield	Case

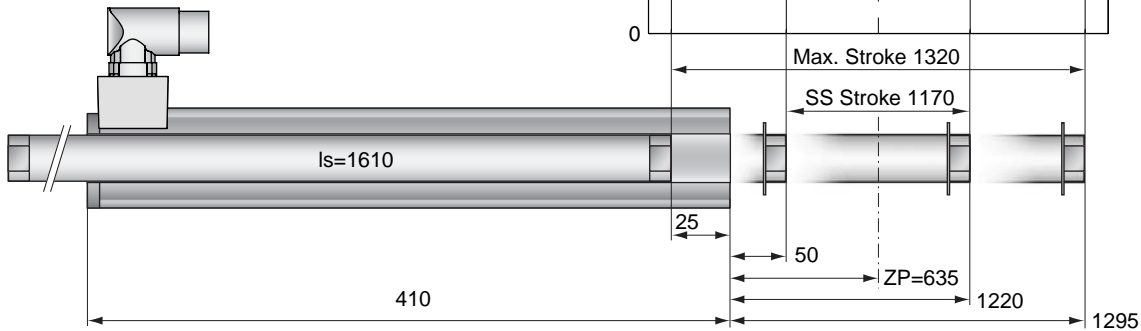
## Accessoires



**Max. Stroke:** 1320mm  
**Peak Force:** 1024N



— E1250-UC, 72VDC  
 - - - E1100-XC, 72VDC

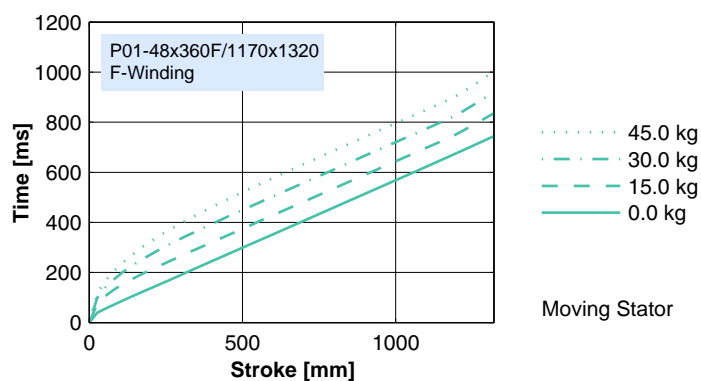


Dimensions in mm

## Motor Specification

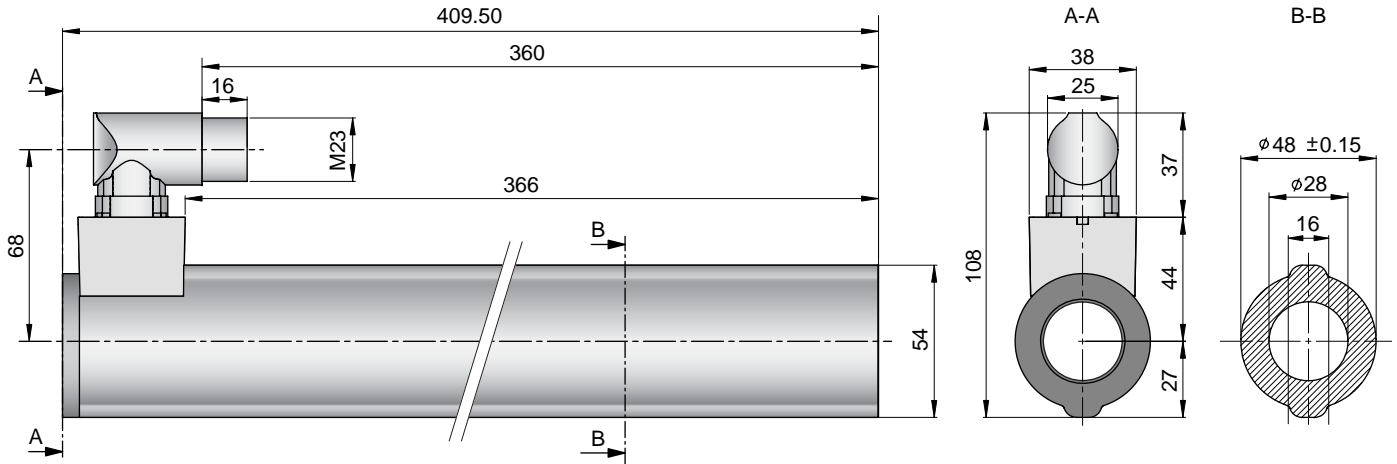
		F-Winding	
		48x360F/1170x1320-C	
Stroke Max.	mm (in)	1320 (51.97)	
Stroke SS	mm (in)	1170 (46.06)	
Peak Force E1250-UC	N (lbf)	1024 (230.1)	
Peak Force E1100-XC	N (lbf)	800 (179.8)	
Cont. Force	N (lbf)	203 (45.7)	
Cont. Force Fan cooling	N (lbf)	354 (79.7)	
Border Force	%	79	
Force Constant	N/A (lbf/A)	32.0 (7.19)	
Max. Current @ 72VDC	A	32.0	
Max. Velocity @ 72VDC	m/s (in/s)	2.1 (82)	
Phase Resist. 25/80 °C	Ohm	1.38/1.67	
Phase Inductance	mH	1.6	
Thermal Resistance	°K/W	0.8	
Thermal Time Const.	sec	3200	
Stator Diameter	mm (in)	48 (1.89)	
Stator Length	mm (in)	410 (16.12)	
Stator Mass	g (lb)	2880 (6.35)	
Slider Diameter	mm (in)	28 (1.10)	
Slider Length	mm (in)	1610 (63.39)	
Slider Mass	g (lb)	7330 (16.16)	
Position Repeatability	mm (in)	±0.05 (±0.0020)	
Linearity	%	±0.10	
Position Rep. with ES	mm (in)	±0.01 (±0.0004)	
Linearity with ES	mm (in)	±0.01 (±0.0004)	

## Position-Time Diagram



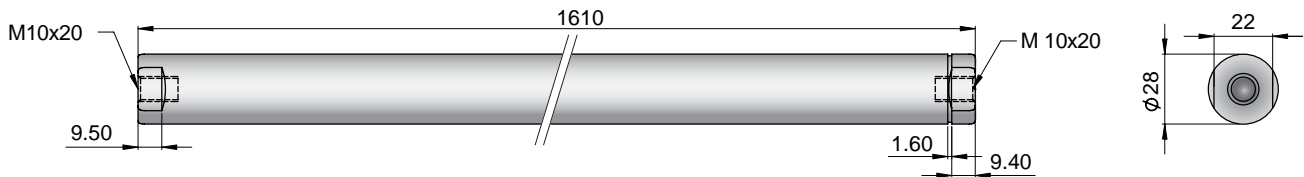
Moving Stator

## Connector Type



Linear Motor		Stator		Slider	
Type	Art.No	Type	Art. No.	Type	Art No.
P01-48x360F/1170x1320-C	-->	PS01-48x360F-C	0150-1269	& PL01-28x1610/1530	0150-1390

## Slider



Standard Type	Slider Standard	PL01-28x1610/1530	0150-1390
Special Sliders	Heavy Duty Slider with WC/C-Coating	PL02-28x1610/1530	on request
	Hollow Slider hole diameter 6mm	PL01-28x1610/1530-L	on request
	High Clearance Slider d=27mm	PL01-27x1610/1530	on request

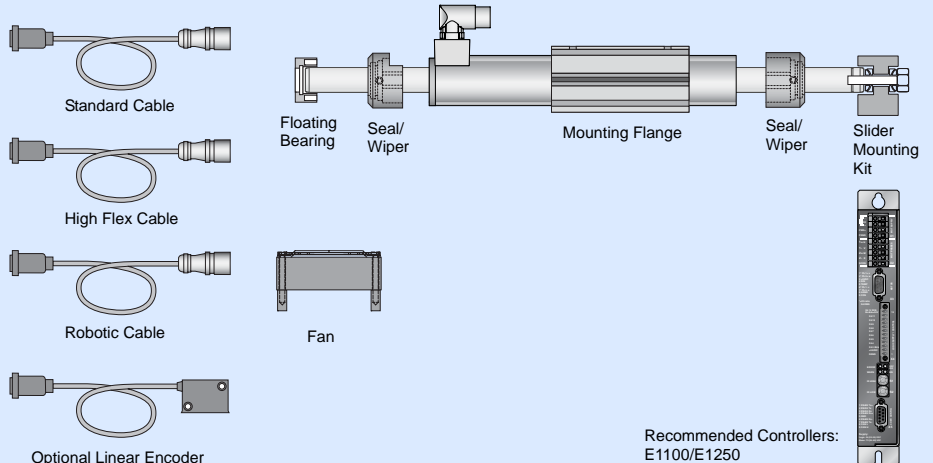
## Connectors

### Motor connector Wiring

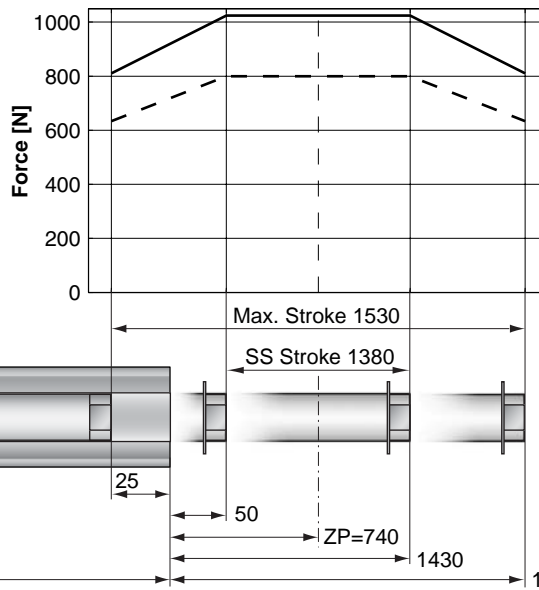
P01-48...-C

Ph 1+	Red	A
Ph 1-	Pink	B
Ph 2+	Blue	C
Ph 2-	Grey	D
+5VDC	White	E
GND	Inner Shield	F
Sine	Yellow	G
Cosine	Green	H
Temp.	Black	L
Shield	Outer Shield	Case

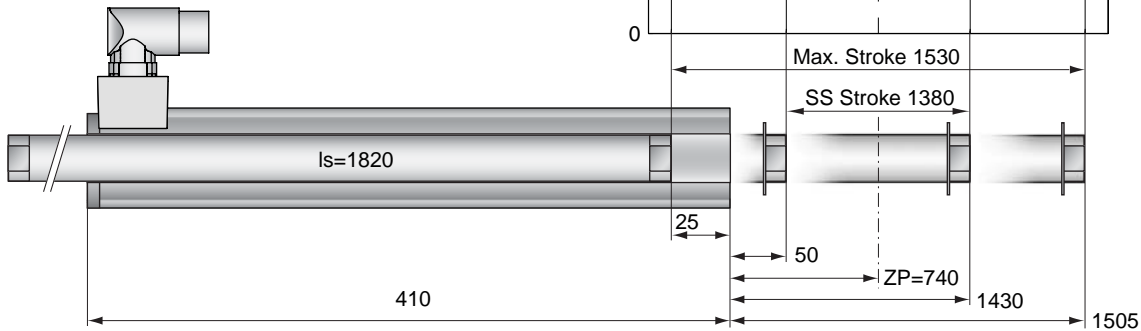
## Accessoires



**Max. Stroke:** 1530mm  
**Peak Force:** 1024N



— E1250-UC, 72VDC  
 - - - E1100-XC, 72VDC

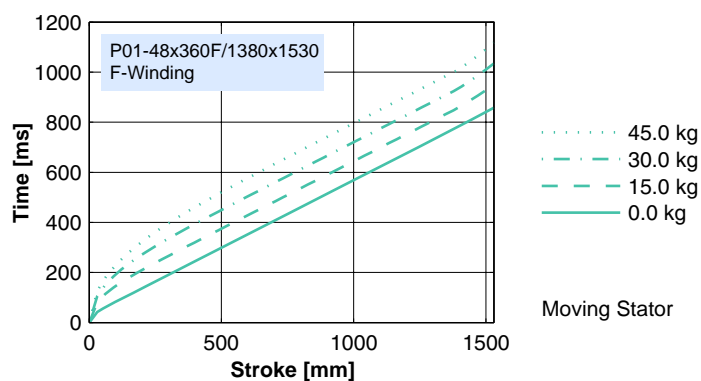


Dimensions in mm

## Motor Specification

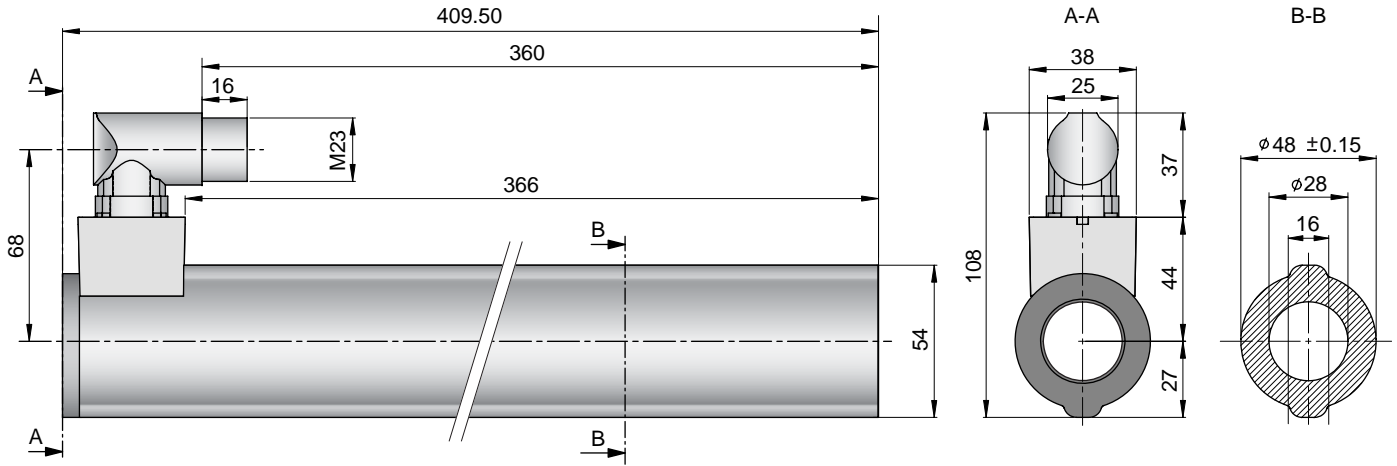
		F-Winding	
		48x360F/1380x1530-C	
Stroke Max.	mm (in)	1530 (60.24)	
Stroke SS	mm (in)	1380 (54.33)	
Peak Force E1250-UC	N (lbf)	1024 (230.1)	
Peak Force E1100-XC	N (lbf)	800 (179.8)	
Cont. Force	N (lbf)	203 (45.7)	
Cont. Force Fan cooling	N (lbf)	354 (79.7)	
Border Force	%	79	
Force Constant	N/A (lbf/A)	32.0 (7.19)	
Max. Current @ 72VDC	A	32.0	
Max. Velocity @ 72VDC	m/s (in/s)	2.1 (82)	
Phase Resist. 25/80 °C	Ohm	1.38/1.67	
Phase Inductance	mH	1.6	
Thermal Resistance	°K/W	0.8	
Thermal Time Const.	sec	3200	
Stator Diameter	mm (in)	48 (1.89)	
Stator Length	mm (in)	410 (16.12)	
Stator Mass	g (lb)	2880 (6.35)	
Slider Diameter	mm (in)	28 (1.10)	
Slider Length	mm (in)	1820 (71.65)	
Slider Mass	g (lb)	8300 (18.30)	
Position Repeatability	mm (in)	±0.05 (±0.0020)	
Linearity	%	±0.10	
Position Rep. with ES	mm (in)	±0.01 (±0.0004)	
Linearity with ES	mm (in)	±0.01 (±0.0004)	

## Position-Time Diagram



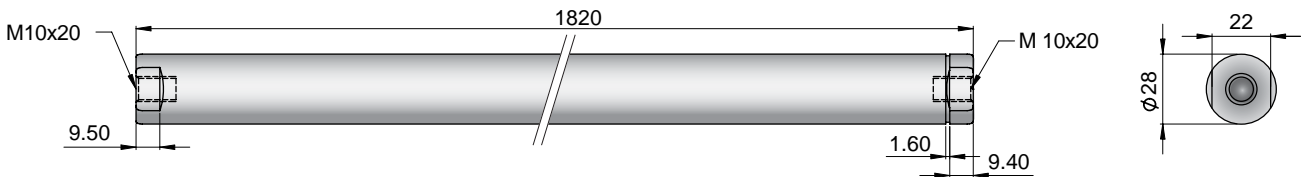
Moving Stator

## Connector Type



Linear Motor		Stator		Slider	
Type	Art.No	Type	Art. No.	Type	Art No.
P01-48x360F/1380x1530-C	-->	PS01-48x360F-C	0150-1269	& PL01-28x1820/1740	0150-1395

## Slider



Standard Type	Slider Standard	PL01-28x1820/1740	0150-1395
Special Sliders	Heavy Duty Slider with WC/C-Coating	PL02-28x1820/1740	on request
	Hollow Slider hole diameter 6mm	PL01-28x1820/1740-L	on request
	High Clearance Slider d=27mm	PL01-27x1820/1740	on request

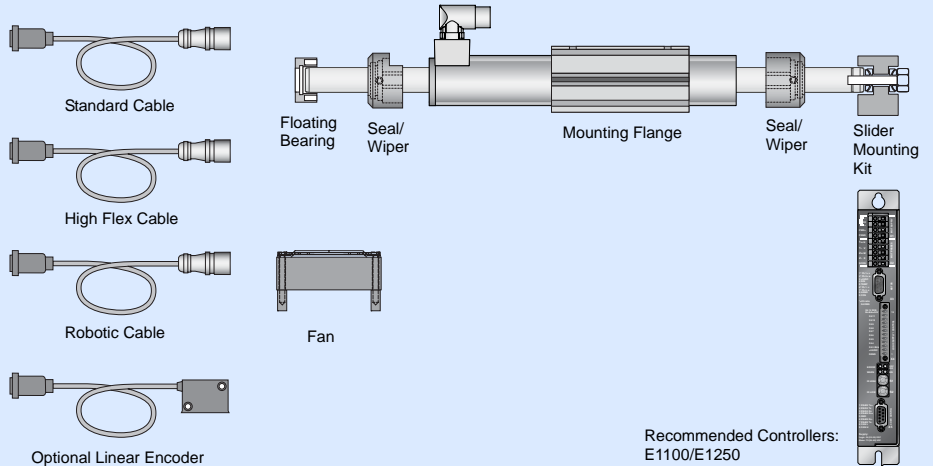
## Connectors

### Motor connector Wiring

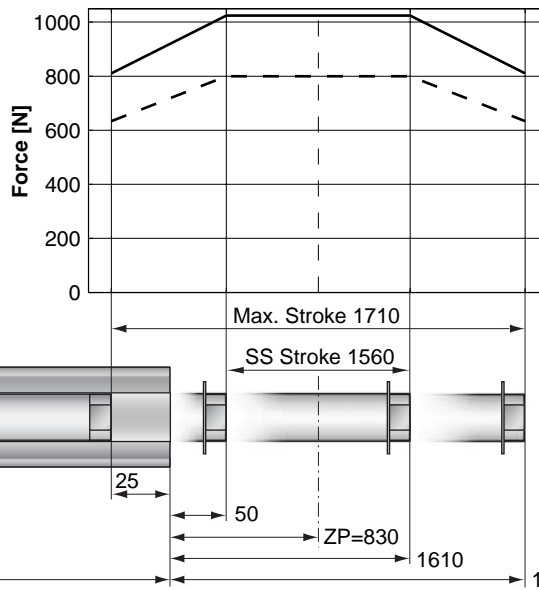
P01-48...-C

Ph 1+	Red	A
Ph 1-	Pink	B
Ph 2+	Blue	C
Ph 2-	Grey	D
+5VDC	White	E
GND	Inner Shield	F
Sine	Yellow	G
Cosine	Green	H
Temp.	Black	L
Shield	Outer Shield	Case

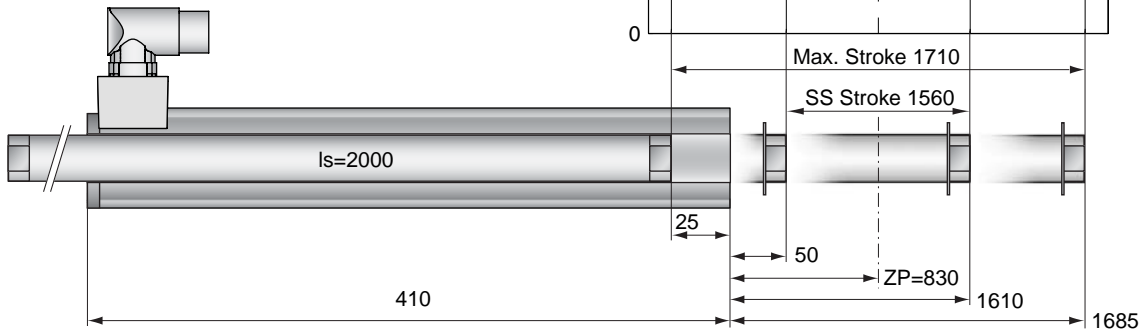
## Accessoires



**Max. Stroke:** 1710mm  
**Peak Force:** 1024N



— E1250-UC, 72VDC  
 - - - E1100-XC, 72VDC

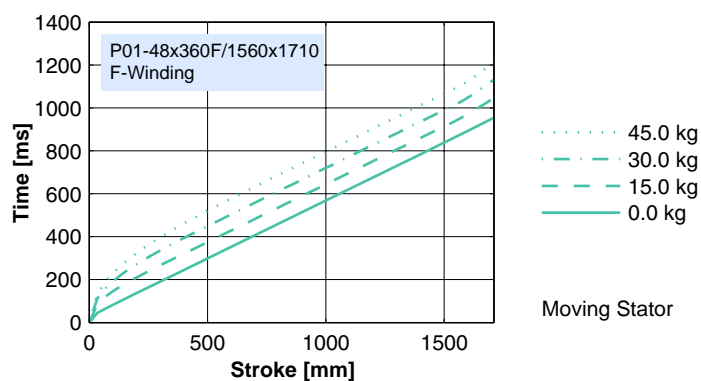


Dimensions in mm

## Motor Specification

		F-Winding	
		48x360F/1560x1710-C	
Stroke Max.	mm (in)	1710 (67.32)	
Stroke SS	mm (in)	1560 (61.42)	
Peak Force E1250-UC	N (lbf)	1024 (230.1)	
Peak Force E1100-XC	N (lbf)	800 (179.8)	
Cont. Force	N (lbf)	203 (45.7)	
Cont. Force Fan cooling	N (lbf)	354 (79.7)	
Border Force	%	79	
Force Constant	N/A (lbf/A)	32.0 (7.19)	
Max. Current @ 72VDC	A	32.0	
Max. Velocity @ 72VDC	m/s (in/s)	2.1 (82)	
Phase Resist. 25/80 °C	Ohm	1.38/1.67	
Phase Inductance	mH	1.6	
Thermal Resistance	°K/W	0.8	
Thermal Time Const.	sec	3200	
Stator Diameter	mm (in)	48 (1.89)	
Stator Length	mm (in)	410 (16.12)	
Stator Mass	g (lb)	2880 (6.35)	
Slider Diameter	mm (in)	28 (1.10)	
Slider Length	mm (in)	2000 (78.74)	
Slider Mass	g (lb)	9140 (20.15)	
Position Repeatability	mm (in)	±0.05 (±0.0020)	
Linearity	%	±0.10	
Position Rep. with ES	mm (in)	±0.01 (±0.0004)	
Linearity with ES	mm (in)	±0.01 (±0.0004)	

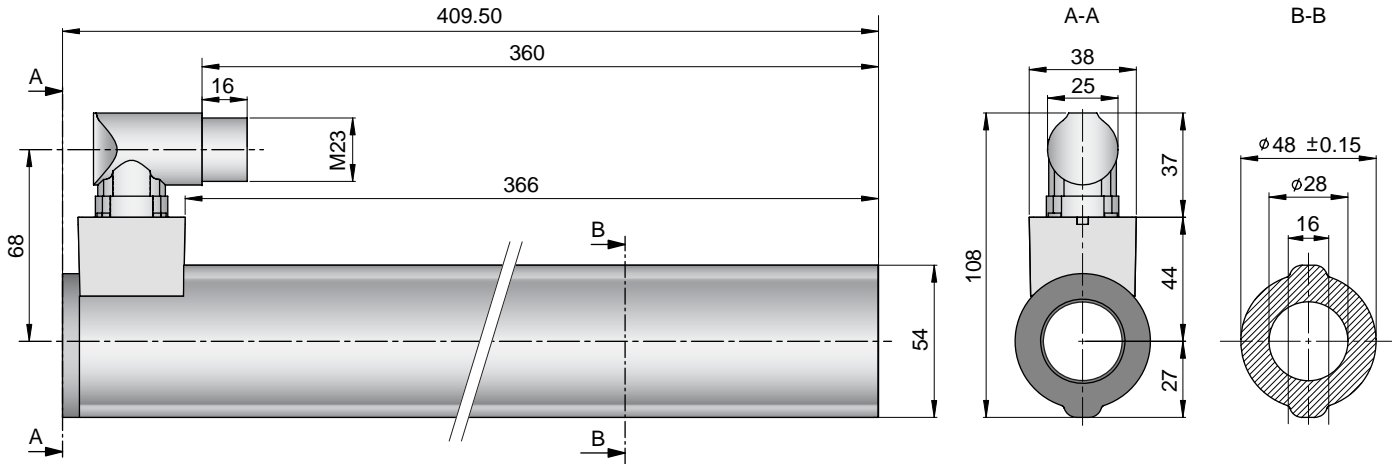
## Position-Time Diagram



Moving Stator

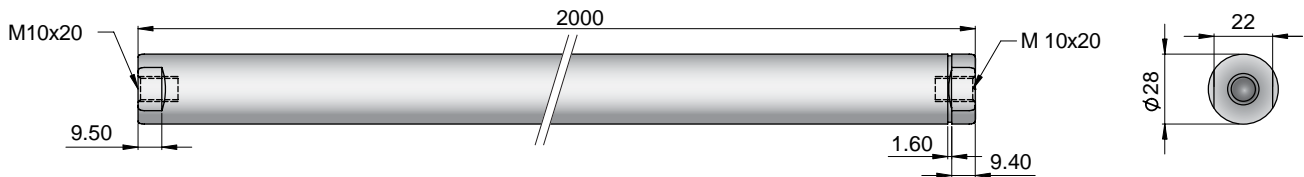


## Connector Type



Linear Motor		Stator		Slider	
Type	Art.No	Type	Art. No.	Type	Art No.
P01-48x360F/1560x1710-C	-->	PS01-48x360F-C	0150-1269	& PL01-28x2000/1920	0150-1396

## Slider



Standard Type	Slider Standard	PL01-28x2000/1920	0150-1396
Special Sliders	Heavy Duty Slider with WC/C-Coating	PL02-28x2000/1920	on request
	Hollow Slider hole diameter 6mm	PL01-28x2000/1920-L	on request
	High Clearance Slider d=27mm	PL01-27x2000/1920	on request

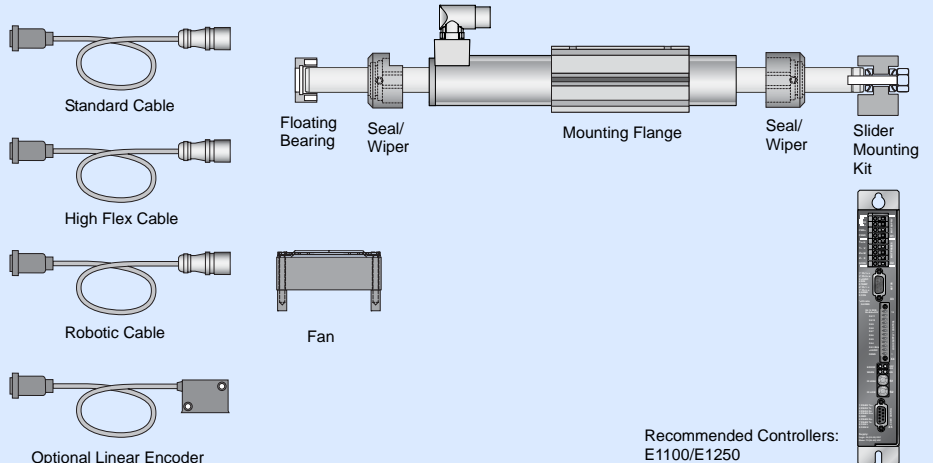
## Connectors

### Motor connector Wiring

P01-48...-C

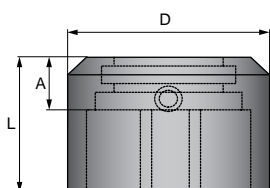
Ph 1+	Red	A
Ph 1-	Pink	B
Ph 2+	Blue	C
Ph 2-	Grey	D
+5VDC	White	E
GND	Inner Shield	F
Sine	Yellow	G
Cosine	Green	H
Temp.	Black	L
Shield	Outer Shield	Case

## Accessoires



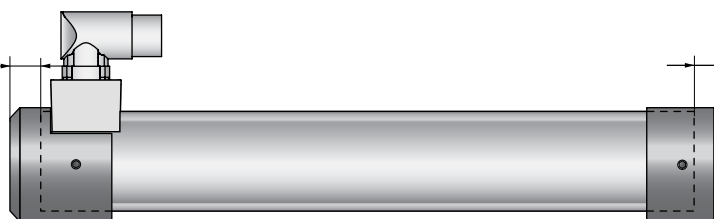


## Dimensions and ordering information



Item	D	L	A	Weight
PA01-48	58mm (2.28in)	32mm (1.26in)	14mm (0.55in)	0.056kg
PA01-48R	58mm (2.28in)	32mm (1.26in)	14mm (0.55in)	0.050kg

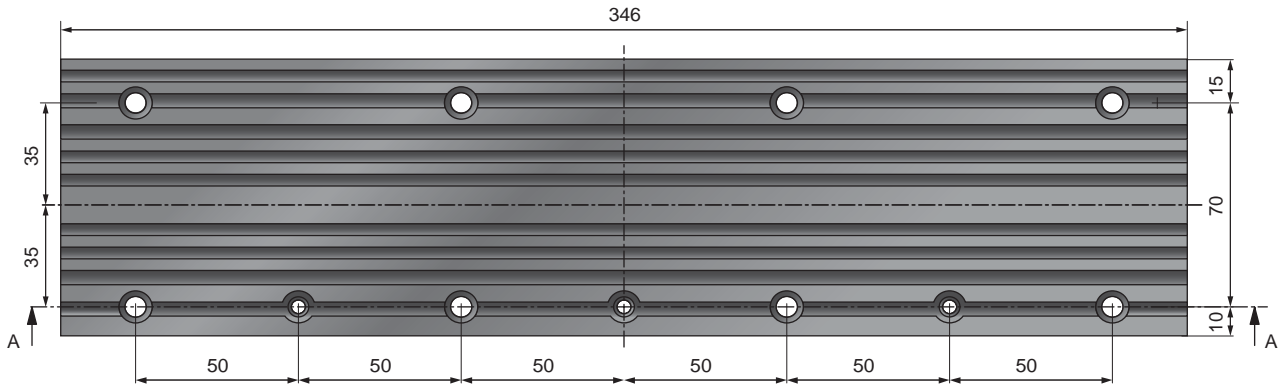
PA01-48: 14mm (0.55in)



PA01-48: 14mm (0.55in)

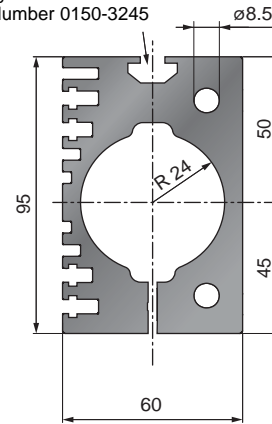
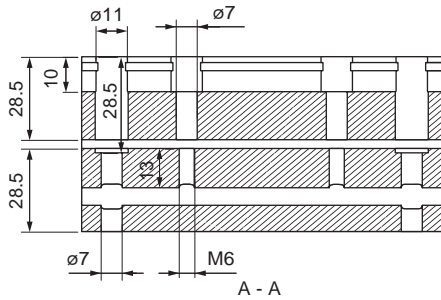
Item	Description	Part Number
PA01-48/27-F	Wiper for PS01-48x... (front wiper for high clearance sliders)	0150-3228
PA01-48/27-R	Wiper for PS01-48x...(-C rear wiper for high clearance sliders)	0150-3229
PA01-48/28-F	Wiper for PS01-48x... (front wiper)	0150-3127
PA01-48/28-R	Wiper for PS01-48x...(-C rear wiper)	0150-3202

## PF01-48x346



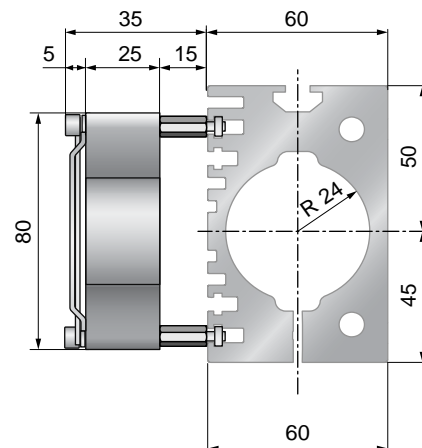
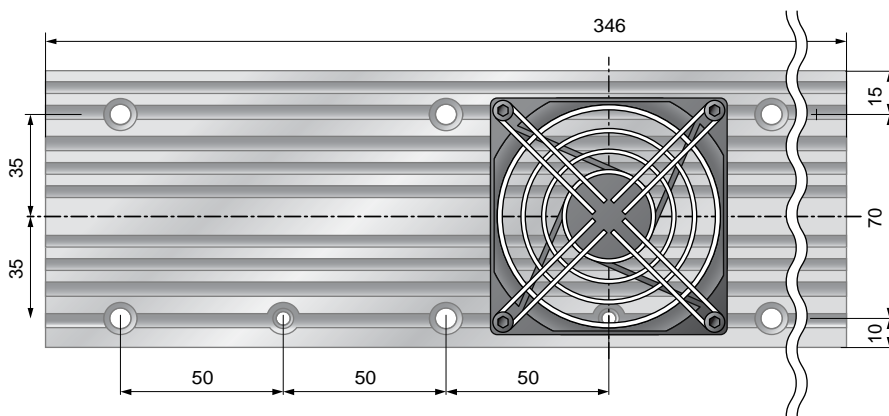
Max. torque for clamp plate screws: 12Nm

Sliding block M6  
Part Number 0150-3245



Item	Description	L [mm]	B [mm]	Weight [g]	Part Number
PF01-48x346	Flange 48x346 mm	346	85	2840	0150-2145

## Optional Fan for PF01-48



Fan supply:  
24VDC, 120mA

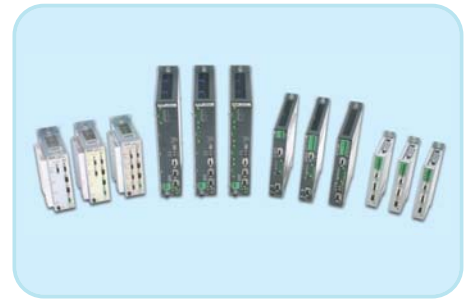
Air flow:  
80m<sup>3</sup>/h

Item	Description	Part Number
HV01-37/48	Fan kit for H01-48, B01-48 and PF01-48	0150-5051

Smart solutions are driven by

**LinMot®**

Brochure brought to you by:



**LinMot®**

All for linear motion from a single source

### LinMot Europe

NTI AG  
Haerdlistrasse 15  
CH - 8957 Spreitenbach  
Tel.: +41-(0)56-419 91 91  
Fax: +41-(0)56-419 91 92  
E-Mail: office@linmot.com  
Web: www.linmot.com

### LinMot USA

LinMot, Inc.  
N5750 Townline Road  
Elkhorn, WI 53121  
Sales : 877-546-3270  
262-743-2555  
Tech. Service: 877-804-0718  
262-743-1284  
Fax: 800-463-8708  
262-723-6688  
E-Mail: sales@linmot-usa.com  
Web: www.linmot-usa.com