



Series P02-23Sx80-HP 2

P02-23Sx80F-HP/20x60 5

P02-23Sx80F-HP/40x100 6

P02-23Sx80F-HP/70x130 7

P02-23Sx80F-HP/100x160 8

P02-23Sx80F-HP/140x200 9

P02-23Sx80F-HP/160x220 10

P02-23Sx80F-HP/220x280 11

P02-23Sx80F-HP/290x350 12

P02-23Sx80F-HP/350x410 13

P02-23Sx80F-HP/450x510 14

P02-23Sx80F-HP/630x690 15

P02-23Sx80F-HP/720x780 16

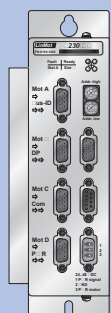
Cables 17



Motor Specification

		P02-23Sx80-HP/...
Maximum Stroke	mm (in)	50 (1.97)
Maximum Force	N (lbf)	39 (8.7)
Maximum Velocity	m/s (in/s)	6.9 (270)
Peak Current	A	4.0
Cont. Current	A	
Phase Resist. 25 °C	Ohm	10.3
Phase Resist. 80 °C	Ohm	12.5
Phase Induct67Nce	mH	1.4
Thermal Resist67Nce	°K/W	7.0
Thermal Time Const.	sec	900
Stator Diameter	mm (in)	23 (0.91)

Accessories



Servo Controller:
E100 p. 231



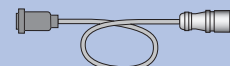
E1100 p.255



E1200 p. 283



B1100 p. 283



Standard Cable p. 306



High Flex Cable p. 306

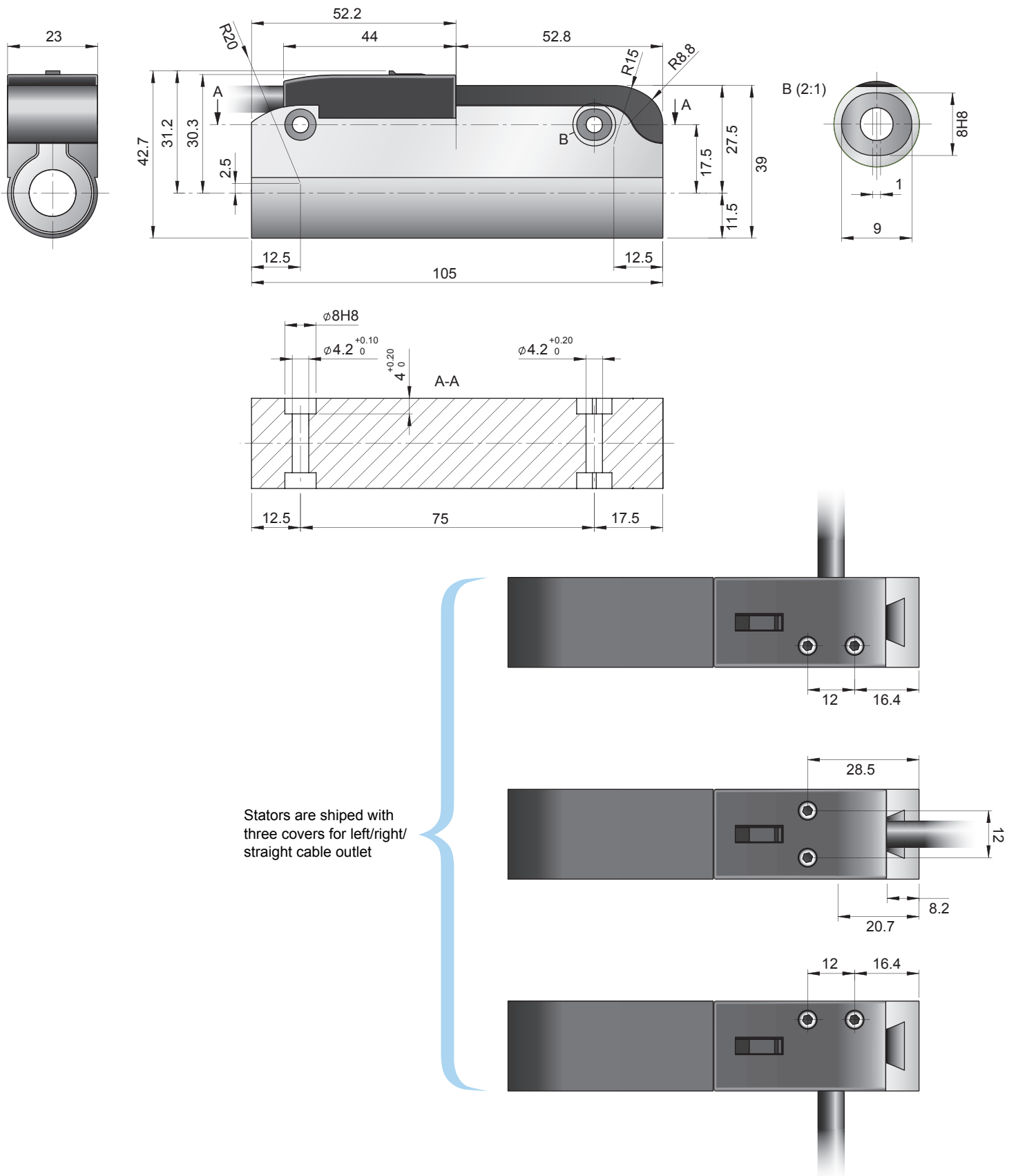


Robotic Cable p. 306



Optional Linear Encoder p. 324

Stator



Ordering Information

Item	Description	Part Number
PS02-23Sx80F-HP-K		0150-1285

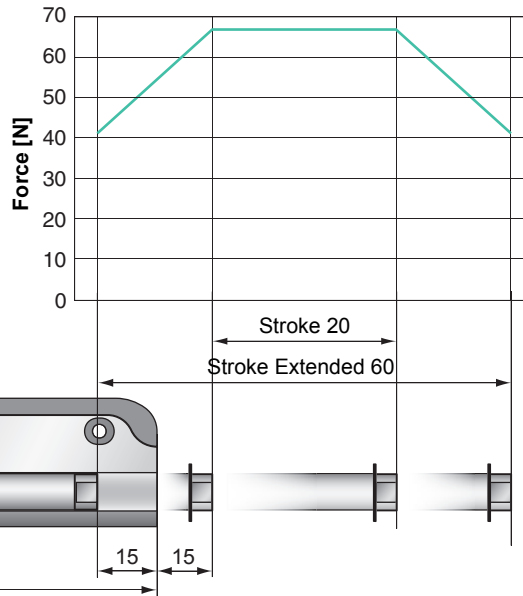
Sliders



High Performance Slider		Length[mm]	Stroke[mm]	Part Number
PL01-12x130/90-HP	slider "High Performance"	130	20x60	0150-2209
PL01-12x170/130-HP	slider "High Performance"	170	40x100	0150-1529
PL01-12x200/160-HP	slider "High Performance"	200	70x130	0150-1518
PL01-12x230/190-HP	slider "High Performance"	230	100x160	0150-1519
PL01-12x270/230-HP	slider "High Performance"	270	140x200	0150-1520
PL01-12x290/250-HP	slider "High Performance"	290	160x220	0150-1521
PL01-12x350/310-HP	slider "High Performance"	350	220x280	0150-1522
PL01-12x420/380-HP	slider "High Performance"	420	290x350	0150-1523
PL01-12x480/440-HP	slider "High Performance"	480	350x410	0150-1524
PL01-12x580/540-HP	slider "High Performance"	580	450x510	0150-1525
PL01-12x760/720-HP	slider "High Performance"	760	630x690	0150-1526
PL01-12x850/810-HP	slider "High Performance"	850	720x780	0150-1527

Heavy Duty High Performance Slider		Length[mm]	Stroke[mm]	Part Number
PL02-12x130/90-HP	slider "heavy duty" "High Performance"	130	20x60	on request
PL02-12x170/130-HP	slider "heavy duty" "High Performance"	170	40x100	0150-1559
PL02-12x200/160-HP	slider "heavy duty" "High Performance"	200	70x130	0150-1532
PL02-12x230/190-HP	slider "heavy duty" "High Performance"	230	100x160	0150-1552
PL02-12x270/230-HP	slider "heavy duty" "High Performance"	270	140x200	0150-1533
PL02-12x290/250-HP	slider "heavy duty" "High Performance"	290	160x220	0150-1495
PL02-12x350/310-HP	slider "heavy duty" "High Performance"	350	220x280	0150-1555
PL02-12x420/380-HP	slider "heavy duty" "High Performance"	420	290x350	0150-1554
PL02-12x480/440-HP	slider "heavy duty" "High Performance"	480	350x410	on request
PL02-12x580/540-HP	slider "heavy duty" "High Performance"	580	450x510	on request
PL02-12x760/720-HP	slider "heavy duty" "High Performance"	760	630x690	on request
PL02-12x850/810-HP	slider "heavy duty" "High Performance"	850	720x780	on request

Max. Stroke: 60mm
Peak Force: 67N



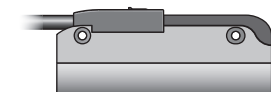
Dimensions in mm

Motor Specification

Stator Type		Standard Winding	
		High Performance	
Slider Type		High Performance Heavy Duty	
		Stroke Standard	mm (in)
Stroke Extended	mm (in)	60 (2.36)	
Peak Force	N (lbf)	67 (15.1)	
Cont. Force	N (lbf)	15 (3.5)	
Cont. Force Fan Cooling	N (lbf)	25 (5.6)	
Peak Velocity	m/s (in/s)	7.3 (287)	
Peak Current	A_{pk}	7.5	
Cont. Current	A_{ct}		
Cont. Current FC	A_{ct}		
Force Const67Nt	N/A (lbf/A)	9 (2.0)	
Border Force	%	63	
Linearity	%	±0.1	
Slider Length	mm (in)	130 (5.12)	
Slider Mass	g (lb)	90 (0.20)	

Position-Time Diagram

Ordering Information

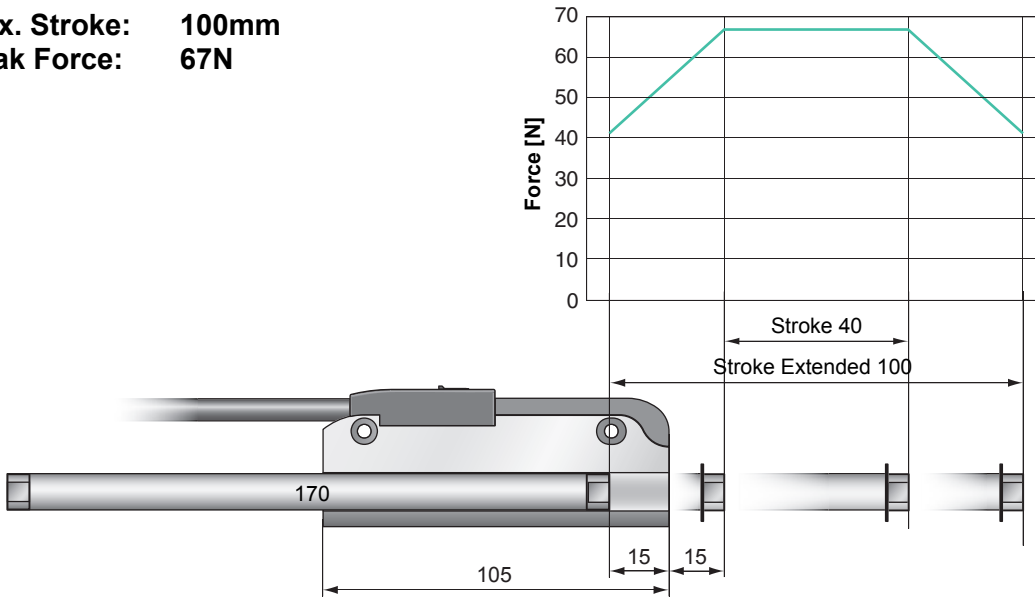


PS02-23Sx80F-HP-K	0150-1285
-------------------	-----------



PL01-12x130/90-HP	High Performance Slider	0150-2209
PL02-12x130/90-HP	High Performance Slider, Heavy Duty	on request

Max. Stroke: 100mm
Peak Force: 67N



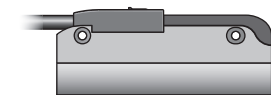
Dimensions in mm

Motor Specification

Stator Type		Standard Winding
Slider Type		High Performance High Performance Heavy Duty
Stroke Standard	mm (in)	40 (1.57)
Stroke Extended	mm (in)	100 (3.94)
Peak Force	N (lbf)	67 (15.1)
Cont. Force	N (lbf)	15 (3.5)
Cont. Force Fan Cooling	N (lbf)	25 (5.6)
Peak Velocity	m/s (in/s)	7.3 (287)
Peak Current	A_{pk}	7.5
Cont. Current	A_{ct}	
Cont. Current FC	A_{ct}	
Force Const67Nt	N/A (lbf/A)	9 (2.0)
Border Force	%	63
Linearity	%	±0.1
Slider Length	mm (in)	170 (6.69)
Slider Mass	g (lb)	125 (0.28)

Position-Time Diagram

Ordering Information

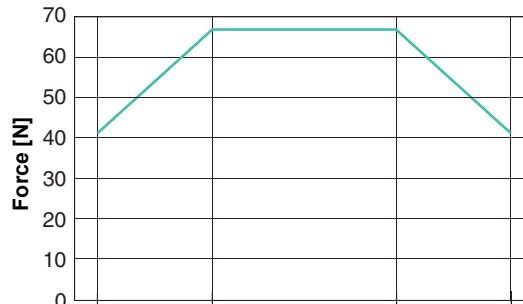


PS02-23Sx80F-HP-K	0150-1285
-------------------	-----------

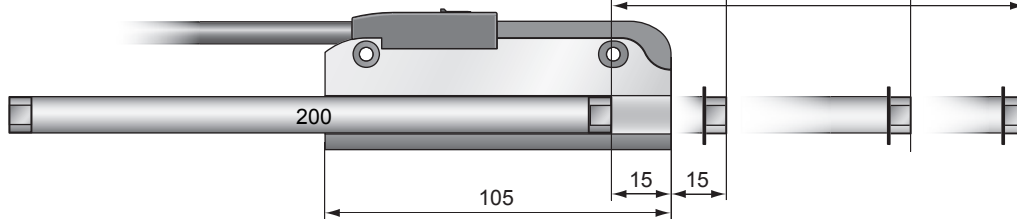


PL01-12x170/130-HP	High Performance Slider	0150-1529
PL02-12x170/130-HP	High Performance Slider, Heavy Duty	0150-1559

Max. Stroke: 130mm
Peak Force: 67N



— E1100, 72VDC



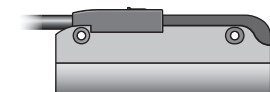
Dimensions in mm

Motor Specification

Stator Type		Standard Winding
Slider Type		High Performance High Performance Heavy Duty
Stroke Standard	mm (in)	70 (2.76)
Stroke Extended	mm (in)	130 (5.12)
Peak Force	N (lbf)	67 (15.1)
Cont. Force	N (lbf)	15 (3.5)
Cont. Force Fan Cooling	N (lbf)	25 (5.6)
Peak Velocity	m/s (in/s)	7.3 (287)
Peak Current	A_{pk}	7.5
Cont. Current	A_{ct}	
Cont. Current FC	A_{ct}	
Force Const67Nt	N/A (lbf/A)	9 (2.0)
Border Force	%	63
Linearity	%	±0.1
Slider Length	mm (in)	200 (7.87)
Slider Mass	g (lb)	150 (0.33)

Position-Time Diagram

Ordering Information

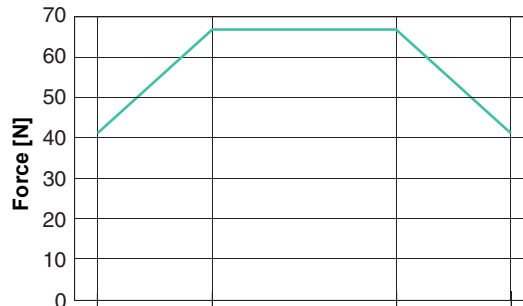


PS02-23Sx80F-HP-K	0150-1285
-------------------	-----------

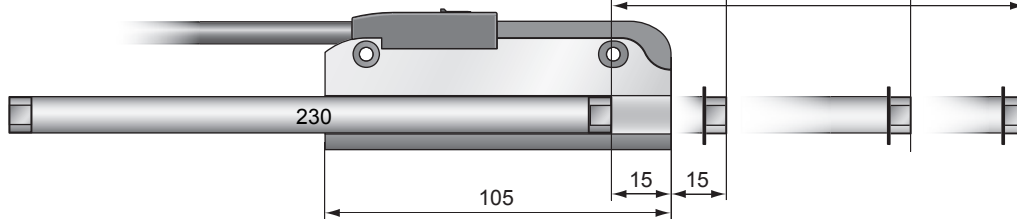


PL01-12x200/160-HP	High Performance Slider	0150-1518
PL02-12x200/160-HP	High Performance Slider, Heavy Duty	0150-1532

Max. Stroke: 160mm
Peak Force: 67N



— E1100, 72VDC



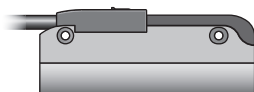
Dimensions in mm

Motor Specification

Stator Type		Standard Winding
Slider Type		High Performance High Performance Heavy Duty
Stroke Standard	mm (in)	100 (3.94)
Stroke Extended	mm (in)	160 (6.3)
Peak Force	N (lbf)	67 (15.1)
Cont. Force	N (lbf)	15 (3.5)
Cont. Force Fan Cooling	N (lbf)	25 (5.6)
Peak Velocity	m/s (in/s)	7.3 (287)
Peak Current	A_{pk}	7.5
Cont. Current	A_{ct}	
Cont. Current FC	A_{ct}	
Force Const67Nt	N/A (lbf/A)	9 (2.0)
Border Force	%	63
Linearity	%	±0.1
Slider Length	mm (in)	230 (9.06)
Slider Mass	g (lb)	175 (0.39)

Position-Time Diagram

Ordering Information

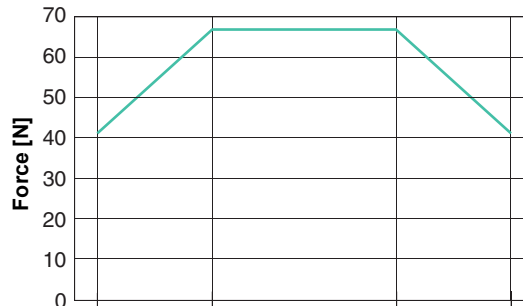


PS02-23Sx80F-HP-K	0150-1285
-------------------	-----------

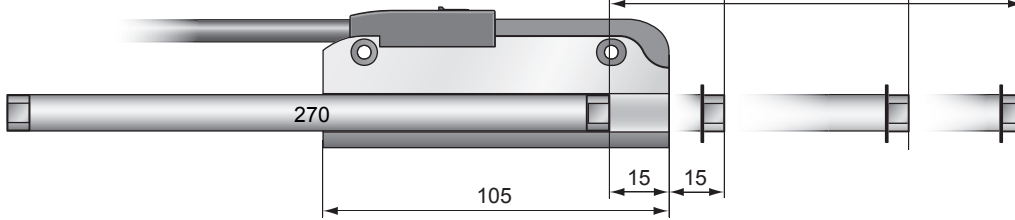


PL01-12x230/190-HP	High Performance Slider	0150-1519
PL02-12x230/190-HP	High Performance Slider, Heavy Duty	0150-1552

Max. Stroke: 200mm
Peak Force: 67N



— E1100, 72VDC



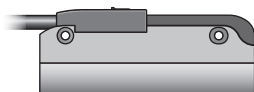
Dimensions in mm

Motor Specification

Stator Type		Standard Winding	
		High Performance	
Slider Type		High Performance Heavy Duty	
		Stroke Standard	mm (in)
Stroke Extended	mm (in)	200 (7.87)	
Peak Force	N (lbf)	67 (15.1)	
Cont. Force	N (lbf)	15 (3.5)	
Cont. Force Fan Cooling	N (lbf)	25 (5.6)	
Peak Velocity	m/s (in/s)	7.3 (287)	
Peak Current	A_{pk}	7.5	
Cont. Current	A_{ct}		
Cont. Current FC	A_{ct}		
Force Const	N/A (lbf/A)	9 (2.0)	
Border Force	%	63	
Linearity	%	±0.1	
Slider Length	mm (in)	270 (16.63)	
Slider Mass	g (lb)	210 (0.46)	

Position-Time Diagram

Ordering Information

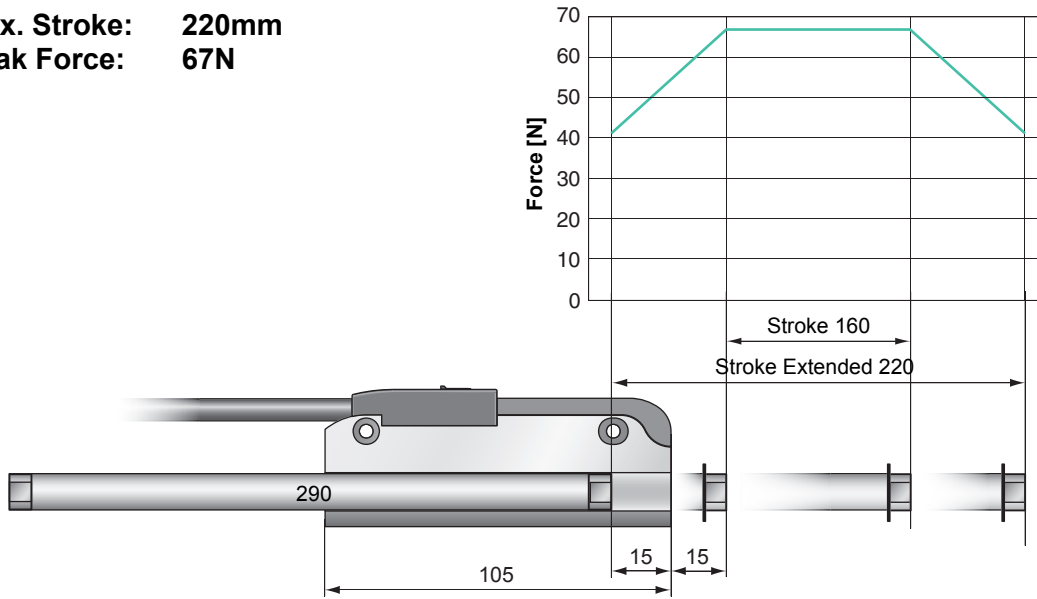


PS02-23Sx80F-HP-K		0150-1285
-------------------	--	-----------



PL01-12x270/230-HP	High Performance Slider	0150-1520
PL02-12x270/230-HP	High Performance Slider, Heavy Duty	0150-1533

Max. Stroke: 220mm
Peak Force: 67N



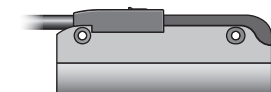
Dimensions in mm

Motor Specification

Stator Type		Standard Winding
Slider Type		High Performance High Performance Heavy Duty
Stroke Standard	mm (in)	160 (6.30)
Stroke Extended	mm (in)	220 (8.66)
Peak Force	N (lbf)	67 (15.1)
Cont. Force	N (lbf)	15 (3.5)
Cont. Force Fan Cooling	N (lbf)	25 (5.6)
Peak Velocity	m/s (in/s)	7.3 (287)
Peak Current	A_{pk}	7.5
Cont. Current	A_{ct}	
Cont. Current FC	A_{ct}	
Force Const67Nt	N/A (lbf/A)	9 (2.0)
Border Force	%	63
Linearity	%	±0.1
Slider Length	mm (in)	290 (11.42)
Slider Mass	g (lb)	230 (0.51)

Position-Time Diagram

Ordering Information

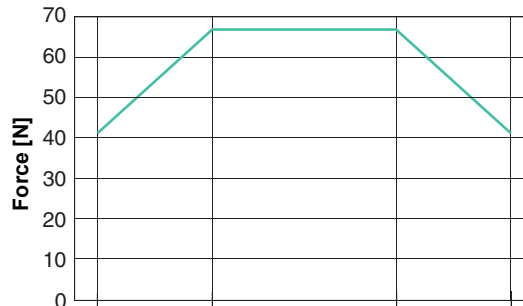


PS02-23Sx80F-HP-K	0150-1285
-------------------	-----------

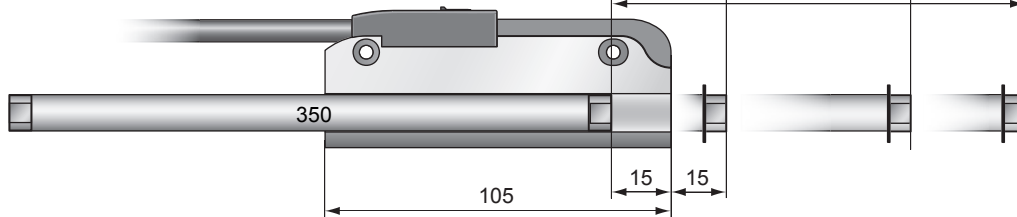


PL01-12x290/250-HP	High Performance Slider	0150-1521
PL02-12x290/250-HP	High Performance Slider, Heavy Duty	0150-1495

Max. Stroke: 280mm
Peak Force: 67N



— E1100, 72VDC



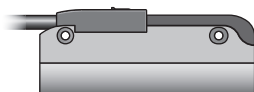
Dimensions in mm

Motor Specification

Stator Type		Standard Winding
Slider Type		High Performance High Performance Heavy Duty
Stroke Standard	mm (in)	220 (8.66)
Stroke Extended	mm (in)	280 (11.02)
Peak Force	N (lbf)	67 (15.1)
Cont. Force	N (lbf)	15 (3.5)
Cont. Force Fan Cooling	N (lbf)	25 (5.6)
Peak Velocity	m/s (in/s)	7.3 (287)
Peak Current	A_{pk}	7.5
Cont. Current	A_{ct}	
Cont. Current FC	A_{ct}	
Force Const	N/A (lbf/A)	9 (2.0)
Border Force	%	63
Linearity	%	±0.1
Slider Length	mm (in)	350 (13.78)
Slider Mass	g (lb)	280 (0.62)

Position-Time Diagram

Ordering Information

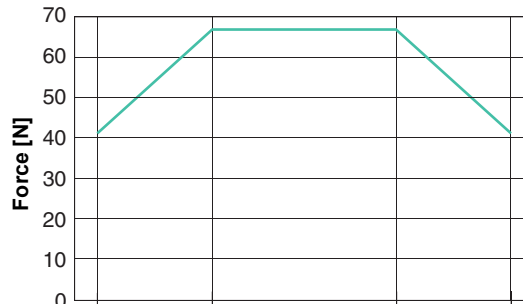


PS02-23Sx80F-HP-K	0150-1285
-------------------	-----------

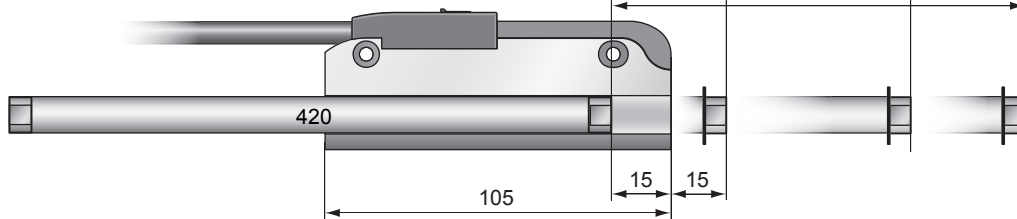


PL01-12x350/310-HP	High Performance Slider	0150-1522
PL02-12x350/310-HP	High Performance Slider, Heavy Duty	0150-1555

Max. Stroke: 350mm
Peak Force: 67N



— E1100, 72VDC



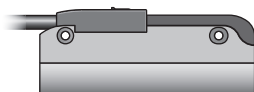
Dimensions in mm

Motor Specification

Stator Type		Standard Winding
Slider Type		High Performance High Performance Heavy Duty
Stroke Standard	mm (in)	290 (11.42)
Stroke Extended	mm (in)	350 (13.78)
Peak Force	N (lbf)	67 (15.1)
Cont. Force	N (lbf)	15 (3.5)
Cont. Force Fan Cooling	N (lbf)	25 (5.6)
Peak Velocity	m/s (in/s)	7.3 (287)
Peak Current	A_{pk}	7.5
Cont. Current	A_{ct}	
Cont. Current FC	A_{ct}	
Force Const67Nt	N/A (lbf/A)	9 (2.0)
Border Force	%	63
Linearity	%	±0.1
Slider Length	mm (in)	420 (16.53)
Slider Mass	g (lb)	340 (0.75)

Position-Time Diagram

Ordering Information

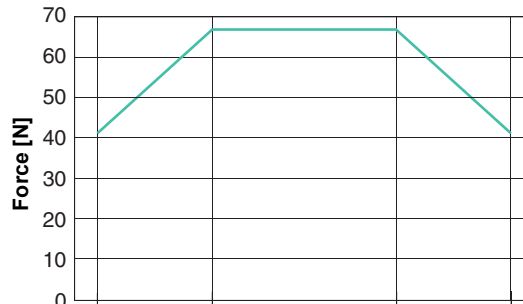


PS02-23Sx80F-HP-K	0150-1285
-------------------	-----------

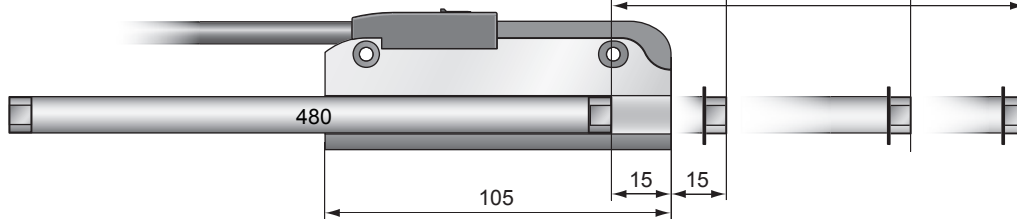


PL01-12x420/380-HP	High Performance Slider	0150-1523
PL02-12x420/38-HP	High Performance Slider, Heavy Duty	0150-1554

Max. Stroke: 410mm
Peak Force: 67N



— E1100, 72VDC



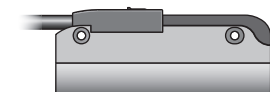
Dimensions in mm

Motor Specification

Stator Type		Standard Winding
Slider Type		High Performance High Performance Heavy Duty
Stroke Standard	mm (in)	350 (13.78)
Stroke Extended	mm (in)	410 (16.14)
Peak Force	N (lbf)	67 (15.1)
Cont. Force	N (lbf)	15 (3.5)
Cont. Force Fan Cooling	N (lbf)	25 (5.6)
Peak Velocity	m/s (in/s)	7.3 (287)
Peak Current	A_{pk}	7.5
Cont. Current	A_{ct}	
Cont. Current FC	A_{ct}	
Force Const67Nt	N/A (lbf/A)	9 (2.0)
Border Force	%	63
Linearity	%	±0.1
Slider Length	mm (in)	480 (18.90)
Slider Mass	g (lb)	390 (0.86)

Position-Time Diagram

Ordering Information

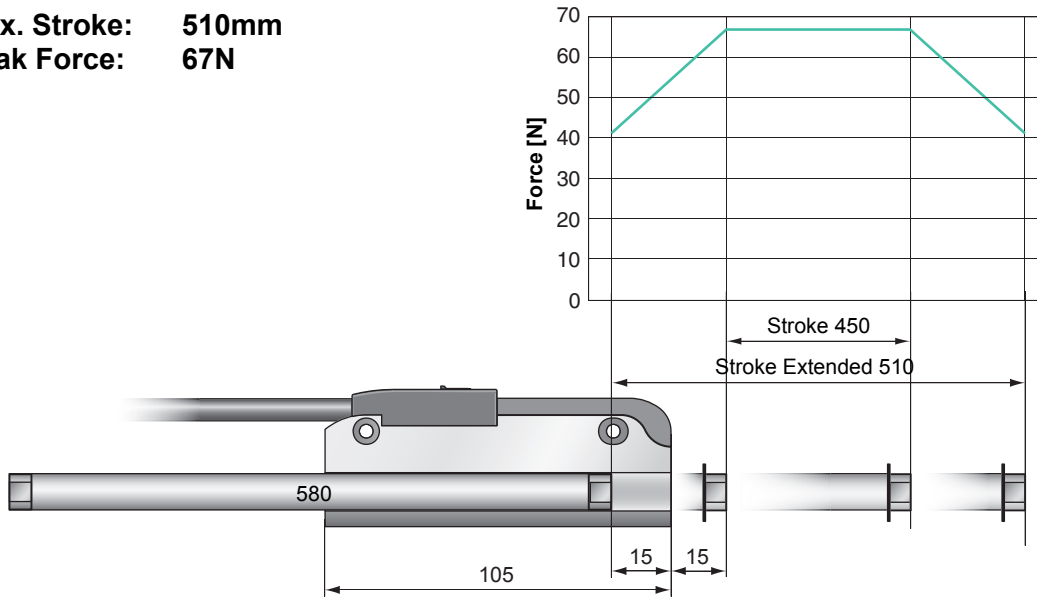


PS02-23Sx80F-HP-K	0150-1285
-------------------	-----------



PL01-12x480/440-HP	High Performance Slider	0150-1524
PL02-12x480/440-HP	High Performance Slider, Heavy Duty	on request

Max. Stroke: 510mm
Peak Force: 67N



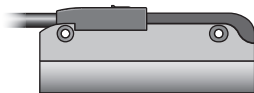
Dimensions in mm

Motor Specification

Stator Type		Standard Winding
Slider Type		High Performance High Performance Heavy Duty
Stroke Standard	mm (in)	450 (17.72)
Stroke Extended	mm (in)	510 (20.08)
Peak Force	N (lbf)	67 (15.1)
Cont. Force	N (lbf)	15 (3.5)
Cont. Force Fan Cooling	N (lbf)	25 (5.6)
Peak Velocity	m/s (in/s)	7.3 (287)
Peak Current	A_{pk}	7.5
Cont. Current	A_{ct}	
Cont. Current FC	A_{ct}	
Force Const67Nt	N/A (lbf/A)	9 (2.0)
Border Force	%	63
Linearity	%	±0.1
Slider Length	mm (in)	580 (22.83)
Slider Mass	g (lb)	475 (1.05)

Position-Time Diagram

Ordering Information

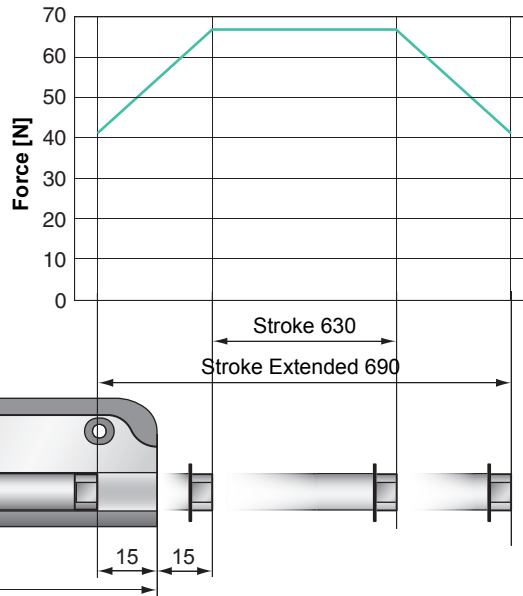


PS02-23Sx80F-HP-K 0150-1285



PL01-12x580/540-HP High Performance Slider 0150-1525
 PL02-12x580/540-HP High Performance Slider, Heavy Duty on request

Max. Stroke: 690mm
Peak Force: 67N



— E1100, 72VDC

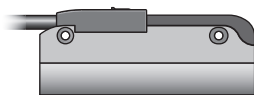
Dimensions in mm

Motor Specification

Stator Type		Standard Winding
Slider Type		High Performance High Performance Heavy Duty
Stroke Standard	mm (in)	630 (24.80)
Stroke Extended	mm (in)	690 (27.17)
Peak Force	N (lbf)	67 (15.1)
Cont. Force	N (lbf)	15 (3.5)
Cont. Force Fan Cooling	N (lbf)	25 (5.6)
Peak Velocity	m/s (in/s)	7.3 (287)
Peak Current	A_{pk}	7.5
Cont. Current	A_{ct}	
Cont. Current FC	A_{ct}	
Force Const67Nt	N/A (lbf/A)	9 (2.0)
Border Force	%	63
Linearity	%	±0.1
Slider Length	mm (in)	760 (29.92)
Slider Mass	g (lb)	625 (1.38)

Position-Time Diagram

Ordering Information

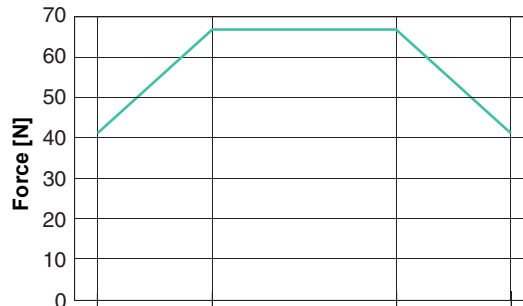


PS02-23Sx80F-HP-K	0150-1285
-------------------	-----------

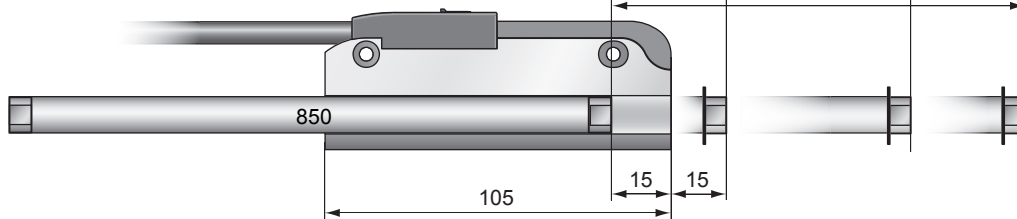


PL01-12x760/720-HP	High Performance Slider	0150-1526
PL02-12x760/720-HP	High Performance Slider, Heavy Duty	on request

Max. Stroke: 780mm
Peak Force: 67N



— E1100, 72VDC



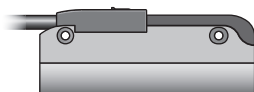
Dimensions in mm

Motor Specification

Stator Type		Standard Winding
Slider Type		High Performance High Performance Heavy Duty
Stroke Standard	mm (in)	720 (28.35)
Stroke Extended	mm (in)	780 (30.71)
Peak Force	N (lbf)	67 (15.1)
Cont. Force	N (lbf)	15 (3.5)
Cont. Force Fan Cooling	N (lbf)	25 (5.6)
Peak Velocity	m/s (in/s)	7.3 (287)
Peak Current	A_{pk}	7.5
Cont. Current	A_{ct}	
Cont. Current FC	A_{ct}	
Force Const67Nt	N/A (lbf/A)	9 (2.0)
Border Force	%	63
Linearity	%	±0.1
Slider Length	mm (in)	850 (33.46)
Slider Mass	g (lb)	700 (1.54)

Position-Time Diagram

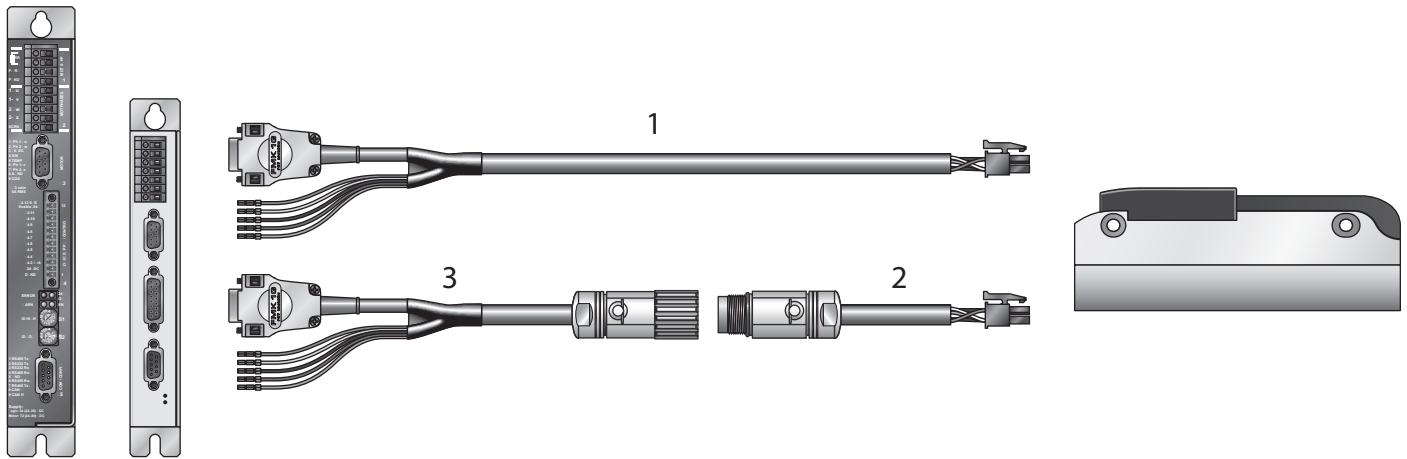
Ordering Information



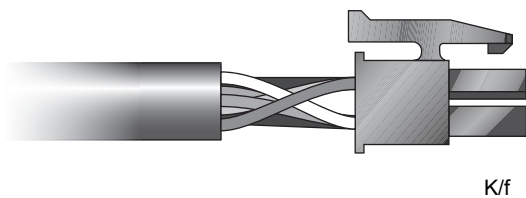
PS02-23Sx80F-HP-K	0150-1285
-------------------	-----------



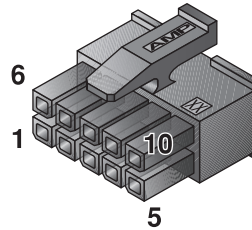
PL01-12x850/810-HP	High Performance Slider	0150-1527
PL02-12x850/810-HP	High Performance Slider, Heavy Duty	on request



K-Connector



K/f



Motor Connector Wiring

Pin 1	red	Phase 1+
Pin 2	blue	Phase 2+
Pin 3		
Pin 4	pink	Phase 1-
Pin 5	grey	Phase 2-
Pin 6	yellow	Sensor Sin
Pin 7	green	Sensor Cos
Pin 8	brown	Ground
Pin 9	white	+5V
Pin 10	black	Temp sensor
shield	case	Shield

Ordering Information

1. High Flex Motor Cable directly to the Controller (length up to 2m)

Item	Description	Part Number
KS03-W/K-2	High Flex cable W/K, 2m	0150-2187
KS03-W/K-	High Flex cable W/K per m	0150-3357

2. High Flex Motor Cable with R Connector (length up to 2m)

Item	Description	Part Number
KS03-R/K-1	High Flex cable R/K, 1m	0150-2185
KS03-R/K-2	High Flex cable R/K, 2m	0150-2186
KS03-R/K-	High Flex cable R/K, per m	0150-3353

3. Motor Extension Cables (length up to 50m)

Item	Description	Part Number
Standard cable		
K05-W/R-2	Standard cable W/R, 2m	0150-2119
K05-W/R-4	Standard cable W/R, 4m	0150-2120
K05-W/R-6	Standard cable W/R, 6m	0150-2121
K05-W/R-8	Standard cable W/R, 8m	0150-2122
K05-W/R-10	Standard cable W/R, 10m	0150-2132
K05-W/R-	Standard cable W/R, per m	0150-3262

High Flex cable chain cable

KS05-W/R-4	High Flex cable W/R, 4m	0150-2106
KS05-W/R-6	High Flex cable W/R, 6m	0150-2131
KS05-W/R-8	High Flex cable W/R, 8m	0150-2107
KS05-W/R-	High Flex cable W/R, per m	0150-3256

Robot cable

KR05-W/R-	Robot cable W/R, per m	0150-3336
-----------	------------------------	-----------

