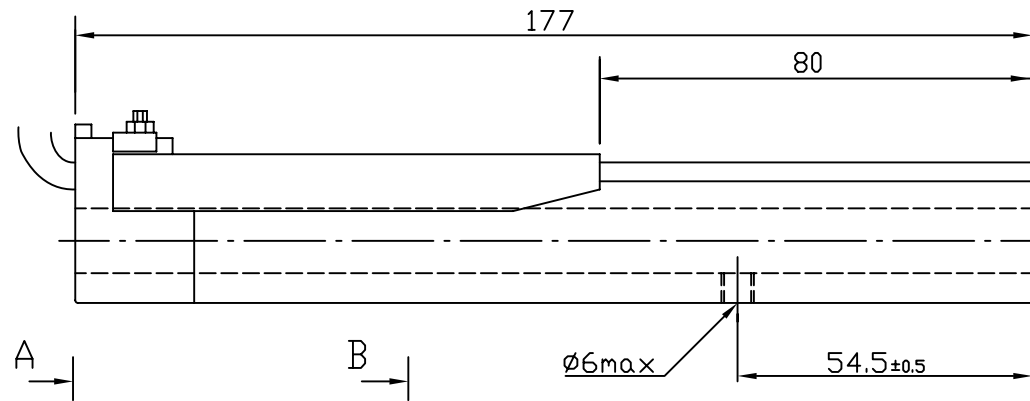


Allowed range for the center of the hole



A

B

C

$\phi 6_{max}$

PS01-23x80

LinMot® PS01-23x80-hole