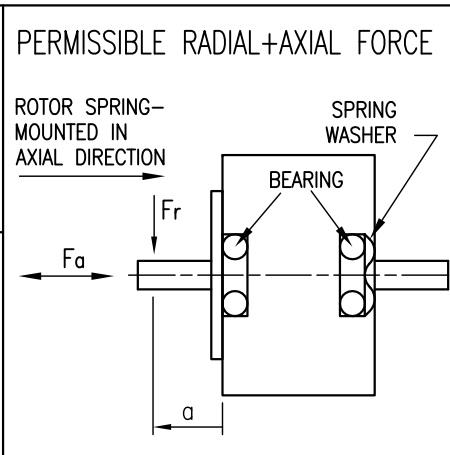
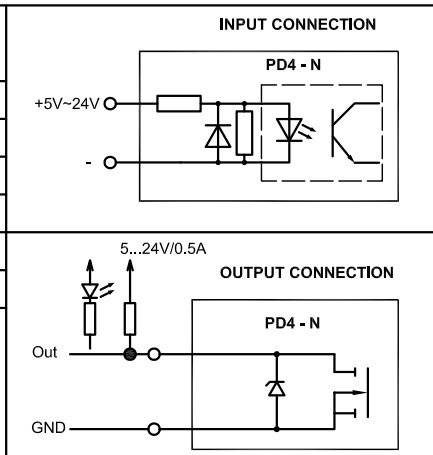


SPECIFICATION	CONNECTION	BIPOLAR PARALLEL
SUPPLY VOLTAGE (VDC)		12 TO 48
AMPS/PHASE		* UP TO 4.8 (100%=3.2)
HOLDING TORQUE (Nm) [lb-in]		0.537 [4.752]
DETENT TORQUE (Nm) [lb-in]		0.0147 [0.13]
STEP ANGLE (°) ± ACCURACY		* 1.8 TO MICROSTEP
WEIGHT (Kg) [lb]		0.49 [1.08]
* ADJUSTABLE WITH NANOPRO.		



M12 CONNECTOR 17 POLE		M12 CONNECTOR 5 POLE	
Funktion	Pin No.	Funktion	Pin No.
OUTPUT 1	1	12-48 V	1
OUTPUT 2	8	12-48 V	2
OUTPUT 3	3	POWER GND	3
ANALOG INPUT	4	POWER GND	4
+UB EXTERN	5	N.C.	5
GND (W001)	6		
RS485 Tx+	7		
RS485 Tx-	10		
RS485 Rx-	9		
RS485 Rx+	2		
INPUT 1	11		
INPUT 2	12		
INPUT 3	13		
INPUT 4	14		
INPUT 5	15		
INPUT 6	16		
NC	17		

OVERTEMPERATURE PROTECTION (ELECTRONICS): 80°C	AXIAL-FORCE Fa (N)	Fa=10			
AMBIENT TEMPERATURE -10~ 50°C [14°F ~ 122°F]	DISTANCE a (mm)	5	10	15	20
INSULATION RESISTANCE 100 MOhm (UNDER NORMAL TEMPERATURE AND HUMIDITY)	RADIAL-FORCE Fr (N)	130	90	70	52
INSULATION CLASS B 130° [266°F]			AXIAL	RADIAL	
DIELECTRIC STRENGTH 500VAC FOR 1 MIN. (BETWEEN THE MOTOR COILS AND THE MOTOR CASE)	SHAFT PLAY (mm)	0.08		0.02	
AMBIENT HUMIDITY MAX. 85% (NO CONDENSATION)	AT LOAD MAX: (N)	4.5		4.5	

							SCALE FREE		APVD	S.H.	03.12.10	PLUG&DRIVE MOTOR	
1	PIN ASSIGNMENT	13.01.11.	J.W.				X ±0.5	1PL ±0.2	CHKD				
REV	DESCRIPTION	DATE	APVD	PD4-N5918X4204-IP-2			2PL ±0.1	ANGLE ±30'	DRN	J.W.	03.12.10	DWG.NO	
												PD4-N5918X4204-IP-2	