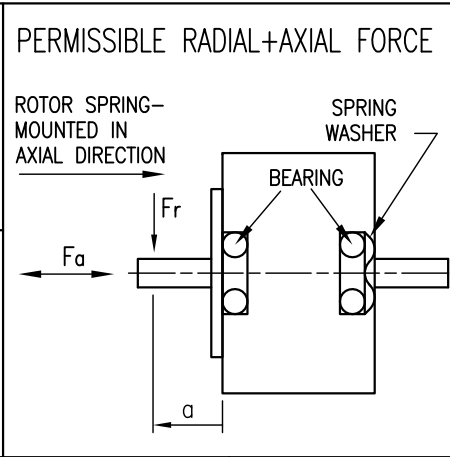
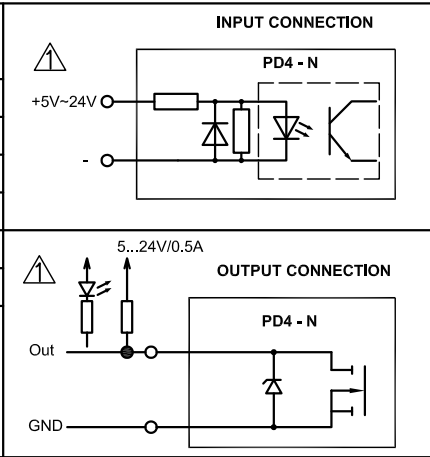


SPECIFICATION	CONNECTION	BIPOLAR PARALLEL
SUPPLY VOLTAGE (VDC)		12 TO 48
AMPS/PHASE		* UP TO 4.8 (100%=3.2)
HOLDING TORQUE (Nm) [lb-in]		1.98 [17.52]
DETENT TORQUE (Nm) [lb-in]		0.068 [0.602]
STEP ANGLE (°) ± ACCURACY		* 1.8 TO MICROSTEP
WEIGHT (Kg) [lb]		1.22 [6.54]
* ADJUSTABLE WITH NANOPRO.		



M12 CONNECTOR 17 POLE		M12 CONNECTOR 5 POLE	
Funktion	Pin No.	Funktion	Pin No.
OUTPUT 1	1	12-48 V	1
OUTPUT 2	8	12-48 V	2
OUTPUT 3	3	POWER GND	3
ANALOG INPUT	4	POWER GND	4
+UB EXTERN	5	N.C.	5
GND (W001)	6		
RS485 Tx+	7		
RS485 Tx-	10		
RS485 Rx-	9		
RS485 Rx+	2		
INPUT 1	11		
INPUT 2	12		
INPUT 3	13		
INPUT 4	14		
INPUT 5	15		
INPUT 6	16		
NC	17		

OVERTEMPERATURE PROTECTION (ELECTRONICS): 80°C			
AMBIENT TEMPERATURE -10°~ 50°C [14°F ~ 122°F]			
INSULATION RESISTANCE 100 MOhm (UNDER NORMAL TEMPERATURE AND HUMIDITY)			
INSULATION CLASS B 130° [266°F]			
DIELECTRIC STRENGTH 500VAC FOR 1 MIN. (BETWEEN THE MOTOR COILS AND THE MOTOR CASE)			
AMBIENT HUMIDITY MAX. 85% (NO CONDENSATION)			

AXIAL-FORCE Fa (N)	Fa=10			
DISTANCE a (mm)	5	10	15	20
RADIAL-FORCE Fr (N)	130	90	70	52
		AXIAL	RADIAL	
SHAFT PLAY (mm)	0.08		0.02	
AT LOAD MAX: (N)	4.5		4.5	

3	NEW DIMENSION+TOLERANCE	29.11.10.	J.W.
5	PIN ASSIGNMENT	11.01.11.	J.W.
4	NEW VALUE OF SUPPLY VOLTAGE	15.12.10.	J.W.
REV	DESCRIPTION	DATE	APVD

  
**Nanotec**<sup>®</sup>  
 PLUG & DRIVE  
 PD4-N5918L4204-IP-2

SCALE FREE	APVD	S.H.	12.07.10
X ±0.5	CHKD		
1PL ±0.2	DRN	J.W.	12.07.10
2PL ±0.1	SIGNATURE	DATE	
ANGLE ±30'			

**PLUG&DRIVE MOTOR**  
 DWG.NO  
 PD4-N5918L4204-IP-2