

Filtri rete EMC

SBC3RD – SBC1R – FS
Manuale utente
User's manual

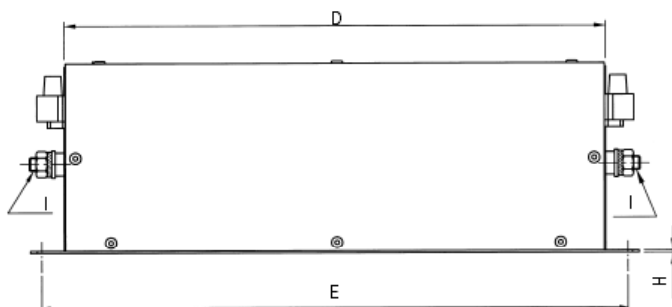
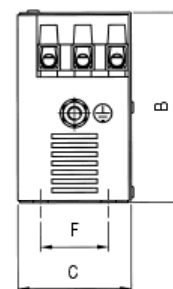
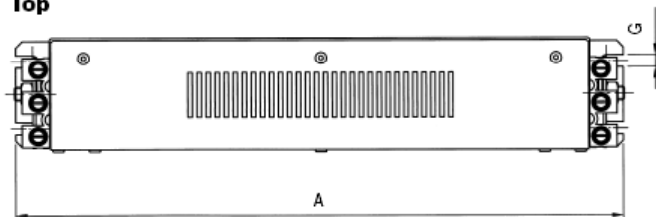


M FI 11 01/06 IE
Rev. 1.1
Gennaio 2006
January 2006

CARATTERISTICHE TECNICHE SBC3RD – Technical specifications SBC3RD

Descrizione – <i>Description</i>	Filtro trifase – <i>3phases filter</i>
Tensione massima di operatività – <i>Max. operating voltage</i>	480Vac a 50°C
Frequenza – <i>Frequency</i>	DC fino a 60Hz a 50°C – <i>DC to 60Hz at 50°C</i>
MTBF a (at) 50°C, 400V per Mil-HB-217F	300.000h per 30A,42A,55A,75A,130A,180A 500.000h per 7A,16A, e 100A
Grado di protezione – <i>Protection degree</i>	IP20
Sovraccarico – <i>Overload</i>	4 volte la corrente nominale a switch on, poi una volta e mezza la corrente nominale per un minuto, una volta per ora. <i>4 times current at switch on, then 1.5 tiems rated current for 1 minute, once per hour.</i>
Temperatura di esercizio – <i>Temperature range</i>	-25°C ÷ +100°C
Corrispondenza disegno a: – <i>Design corresponding to:</i>	UL 1283, CSA 22.2 No.8 1986, EN133200

Codice ordine <i>Order code</i> PARKER	Corrente nominale a 50°C <i>Rated current at 50°C</i> [A]	Corrente di dispersione <i>Operational leakage voltage</i> 400Vac/50Hz [mA]	Potenza persa <i>Power loss</i> [W]	Peso <i>Weight</i> [kg]	DRIVE
SBC3RD7M	7	33.04	3.80	0.5	sLVD
SBC3RD16M	16	33.04	6.05	0.8	LVD
SBC3RD30M	30	33.04	11.83	1.2	SPD
SBC3RD42M	42	33.04	15.70	1.4	TWIN
SBC3RD55M	55	33.04	25.88	1.8	HPD

Mechanical data**Side****Front****Top****DIMENSIONI – DIMENSIONS**

	SBC3RD7M	SBC3RD16M	SBC3RD30M	SBC3RD42M	SBC3RD55M	Toll* [mm]
A	190	250	270	310	250	±1
B	70±0.6			85	90	±0.8
C	40	45		50	85	±0.6
D	160	220	240	280	220	±1
E	180	235	255	295	235	±0.5
F	20	25		30	60	±0.3
G	4.5			5.4		±0.2
H	1					±0.1
I	M5			M6		-

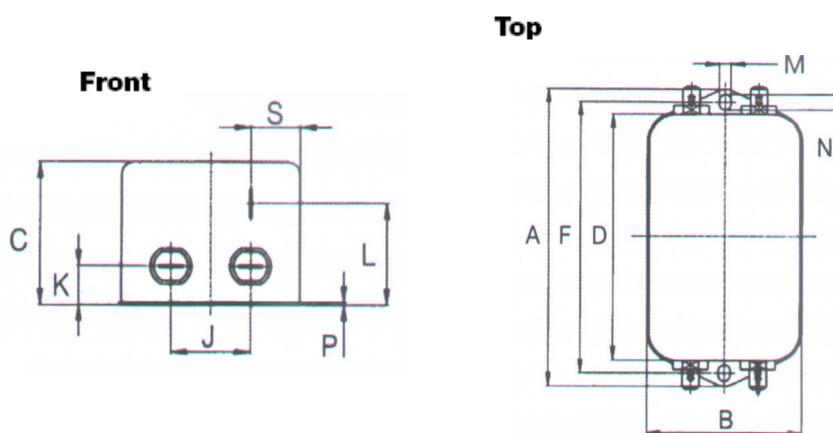
Tutte le dimensioni sono in mm; 1 inch= 25,4mm – *All dimensions in mm; 1 inch = 25.4mm**Gli ingombri hanno le relative tolleranze – **measurements share this common tolerance unless otherwise stated*

CARATTERISTICHE TECNICHE SBC1R – Technical specifications SBC1R

Descrizione – Description	Filtro Monofase – Single phase
Tensione massima di operatività – Max. operating voltage	250Vac, 50/60 Hz
Frequenza – Frequency	DC fino a 400Hz – DC to 400Hz
MTBF a (at) 40°C, 230V per Mil-HB-217F	1.550.000 ore – hours
Massima perdita – Maximum leakage	0.4 mA/phase

Codice ordine Order code PARKER	Corrente nominale a 40°C Rated current at 40°C [A]	Peso Weight [kg]	DRIVE
SBC1R6	6	0,5	sLVD LVD
SBC1R12	12	0,7	
SBC1R25	25	0,76	

Mechanical data



DIMENSIONI – DIMENSIONS				
	SBC1R6	SBC1R12	SBC1R25	Toll* [mm]
A	113.5	156		±1
B	57.5			±1
C	45.4±1.2			±1
D	94	130.5		±1
F	103	143		±0.3
J	25			±0.2
K	12.4			±0.5
L	32.4			±0.5
M	4.4	5.3		±0.1
N	6			±0.1
P	0.9			±0.1
S	15.5			±0.5

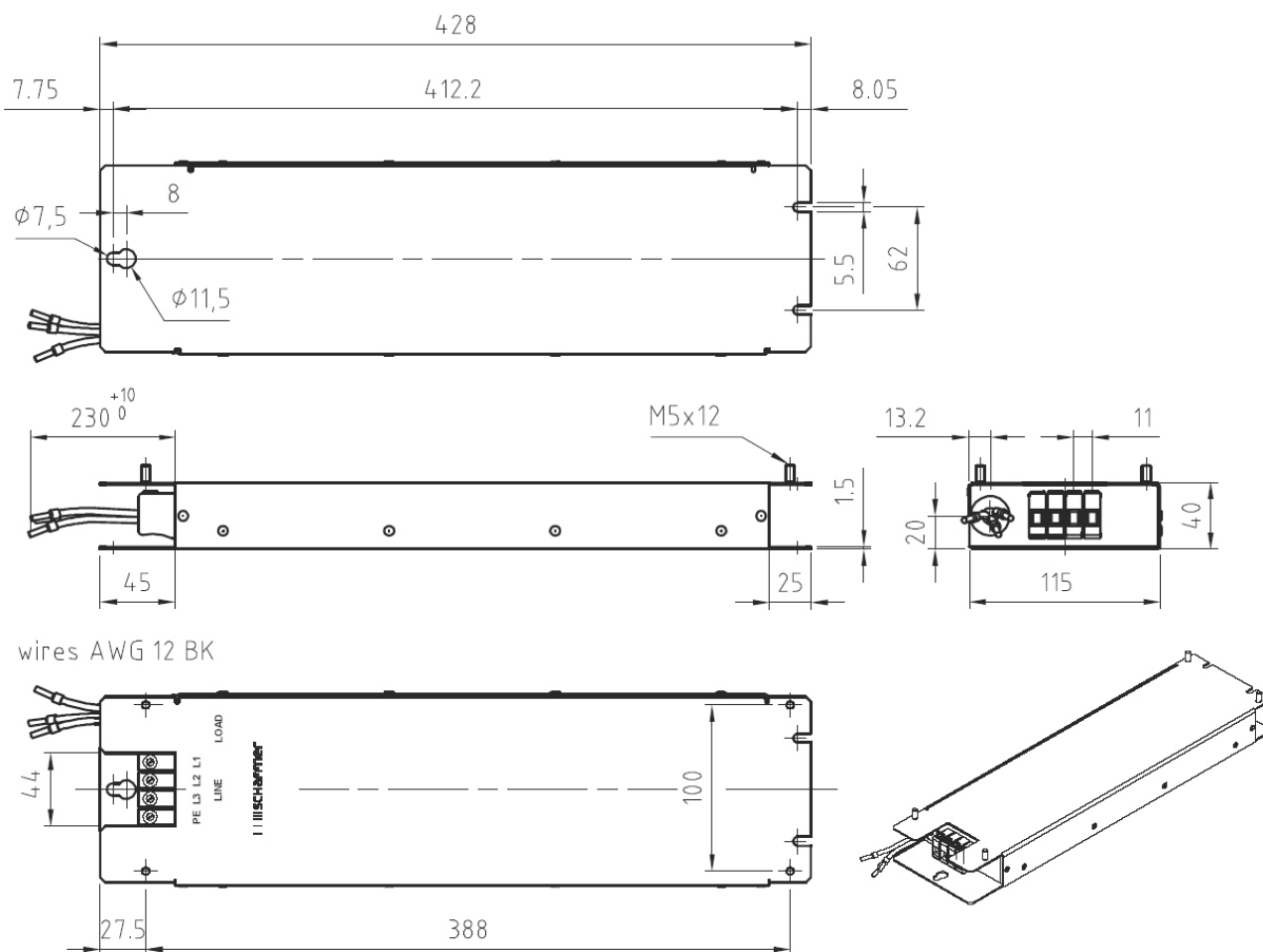
Tutte le dimensioni sono in mm; 1 inch= 25,4mm – All dimensions in mm; 1 inch = 25.4mm

*Gli ingombri hanno le relative tolleranze – *measurements share this common tolerance unless otherwise stated

CARATTERISTICHE TECNICHE FS – Technical specifications FS

Descrizione – Description	Filtro trifase Footprint – 3phases Footprint filter
Tensione massima di operatività – Max. operating voltage	480Vac
Frequenza – Frequency	Max. 60Hz
Temperatura di esercizio – Temperature range	-25°C ÷ +100°C

Codice ordine Order code PARKER	Corrente nominale a 45°C Rated current at 45°C [A]	Corrente di dispersione Operational leakage voltage 400Vac/50Hz [mA]	Potenza persa Power loss [W]	Peso Weight [kg]	DRIVE
FS20860-30-07	30	19	-	2,5	HID 16 HID 25



Tutte le dimensioni sono in mm; 1 inch= 25,4mm – All dimensions in mm; 1 inch = 25.4mm

Per altre informazioni fare riferimento al sito www.schaffner.com. Modifiche ai dati del manuale possono essere eseguite a discrezione del costruttore senza preavviso. I dati riportati nel manuale corrispondono alle specifiche relative alla data della revisione.

For other informations log into website www.schaffner.com Aranges to the manual data can be made by the manufacturer without advance notice. The data shown in the manual correspond to the specifications relating to the revision date.

ISBN0601271130



Worldwide distribution

EUROPE

BELGIUM, LUXEMBURG PROCOTEC BVBA

Lieven Bauwensstraat 25A
8200 Brugge (Industriezone Waggelwater)
Tel. +32-50-320611 - Fax +32-50-320688
www.procotec.be - info@procotec.be

DENMARK SERVOTECH AS

Ulvhavevej 42-46 - 7100 VEJLE
Tel. +45-7942-8080 - Fax. +45-7942-8081
www.servotech.dk - servotech@servotech.dk

FRANCE TRANSTECHNIK SERVOMECANISMES S.A.

Z.A. Ahuy Suzon
17 Rue Des Grandes Varennes - 21121 Ahuy
Tel. +33-380-550000 - Fax +33-380-539363
www.transtechnik.fr - infos@transtechnik.fr

GREAT BRITAIN AMIR POWER TRANSMISSION LTD

Amir House, Maxted Road - Hemel Hempstead
Hertfordshire - HP2 7DX
Tel. +44-1442-212671 - Fax +44-1442-246640
www.amirpower.co.uk - apt@amirpower.co.uk

QUIN SYSTEMS LIMITED

Oakland Business Centre
Oakland Park - Wokingham
Berkshire - RG41 2FD - U.K.
Tel. +44-118-9771077 - Fax +44-118-9776728
www.quin.co.uk - sales@quin.co.uk

HOLLAND VARIODRIVE AANDRIJF-EN BESTURINGSTECHNIK B.V

A. van Leeuwenhoekstraat 22
3261 LT Oud-Beijerland
Tel. +31-186-622301 - Fax +31-186-615228
www.variodrive.nl - sales@variodrive.nl

PORTUGAL SIEPI LDA

Parque Industrial do Arneiro, Lote 46
São Julião do Tojal - 2660-456 Loures
Tel. +351-21-973733
Fax +351-21-9737339
www.gruposiepi.com - Siepi@mail.Telepac.Pt

SPAIN INTRA AUTOMATION SL

C/ALABAU, 20
E-46026 Valencia
Tel. +34-96-3961008 - Fax +34-96-3961018
www.intraautomationsl.com
info@intraautomationsl.com

SWITZERLAND INDUR ANTRIEBSTECHNIK AG

Margarethenstrasse 87 - CH - 4008 Basel
Tel. +41-61-2792900 - Fax +41-61-2792910
www.indur.ch - info@indur.ch

TURKEY SANPA LTD STI

Plaj Yolu, Ersoy Apt. No. 14 D, 4
81070 Suadiye - Istanbul
Tel. +90-216-4632520
Fax +90-216-3622727
www.sanpald.com - sanpa@turk.net

NORTH AMERICA

CANADA PARS ROBOTICS GROUP INC.

441 Esna Park Drive, units 11-12
Markham, Ontario, L3R 1H7
Tel. +1-905-4772886 - Fax +1-905-4770980
www.parsrobotics.com
pars@parsrobotics.com

UNITED STATES PARKER HANNIFIN CORPORATION COMPUMOTOR DIVISION

5500 Business park Drive
Rohnert Park, CA 94928
Tel. +1-707-5847558 - Fax +1-707-5842446
www.compumotor.com
CMR_Customer_Service@parker.com

CENTRAL AMERICA

MEXICO PARKER HANNIFIN DE MÉXICO

Eje 1 Norte No. 100
Parque Ind. Toluca 2000 - Toluca 50100
Tel. +52 722 - 2754200
Fax +52 722 - 2790316
www.parker.com

SOUTH AMERICA

ARGENTINA, CILE, PARAGUAY, URUGUAY R.A. INGENIERIA ELECTRONIC IND. Y COM.

Arregui 5382 - 1408 Buenos Aires
Tel. +54-11-45675543
Fax +54-11-45662870
www.raing.com.ar - ra@raing.com.ar

BRAZIL AUTOMOTION LTDA.

Acesso Jose Sartorelli Km2,1
Parque das Arvores,
18550-000 Boituva - SP
Tel. +55 15 33639900
Fax +55 15 33639911
www.automation.com.br
coml@automation.com.br

VENEZUELA TEKNOMAQ C.A.

Avenida Manuel Diaz Rodriguez
Edif. Milano Local C
Santa Monica - Caracas
Tel. +58-212-6335657
Fax +58-212-6330466
teknomaq@cantv.net

ASIA

AUSTRALIA, NEW ZEALAND MOTION SOLUTIONS AUSTRALIA PTY LTD

Factory 2, 21-29 Railway Avenue
Huntingdale, 3166
Melbourne, Victoria
Tel. +613-9563-0115
Fax +613-9568-4667
www.motion-solutions.com.au
sales@motion-solutions.com.au

ISRAEL AF ELECTRONICS MOTOR CONTROL

PO BOX 741
52322 Ramat-Gan Israel
Tel. +972-3-6745457
Fax +972-3-6776342
afmotor@zahav.net.il

MALAYSIA PRESTIGE MACHINERY

No. 46, Jalan Bateri 34/5
Bukit Kemuning Light Industrial Area
42450 Shah Alam - Sengalor D.E.
Tel. +60-3-5880-9851
Fax +60-3-5880-8364
presmach@maxis.net.my

TAIWAN AUTO ACCURACY CO. LTD

No. 18, 35RD, Taichung Industrial Park
Taichung City
Tel. +886-42-3594847
Fax +886-42-3591083
www.autoaccuracy.com.tw
autoauto@ms2.hinet.net



Parker Hannifin S.p.A.
Divisione S.B.C.
Via Gounod 1
20092 Cinisello Balsamo (MI), Italia
Tel: +39 0266012459
Fax: +39 0266012808
www.sbcelettronica.com
sales.sbc@parker.com

Parker Hannifin GmbH
EME Hauser
Robert-Bosch-Str. 22
D-77656 Offenburg, Germania
Tel: +49 (0)781 509-0
Fax: +49 (0)781 509-98-258
www.parker-eme.com
sales.hauser@parker.com

Parker Hannifin plc
EME Digiplan
21 Balena Close
Poole, Dorset, BH17 7DX UK
Tel: +44 (0)1202 69 9000
Fax: +44 (0)1202 69 5750
www.parker-eme.com
sales.digiplan@parker.com