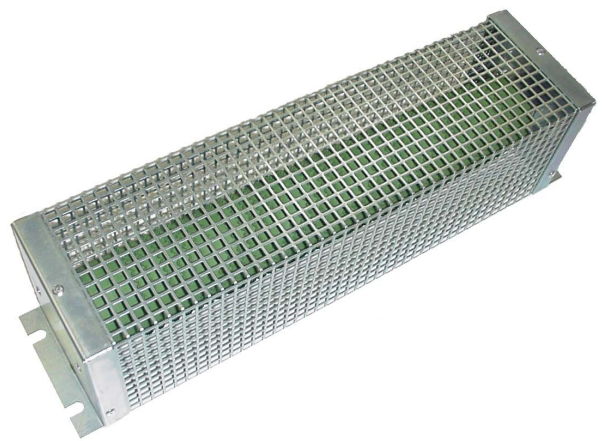
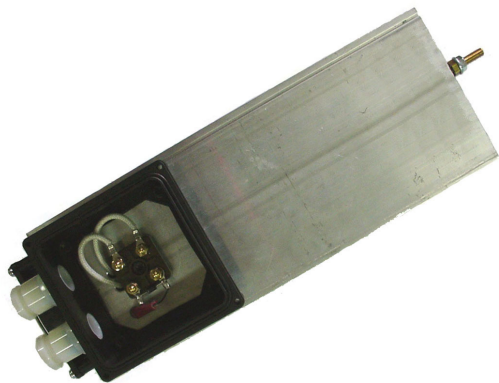


**Resistenza di frenatura esterna**  
*External braking resistor*

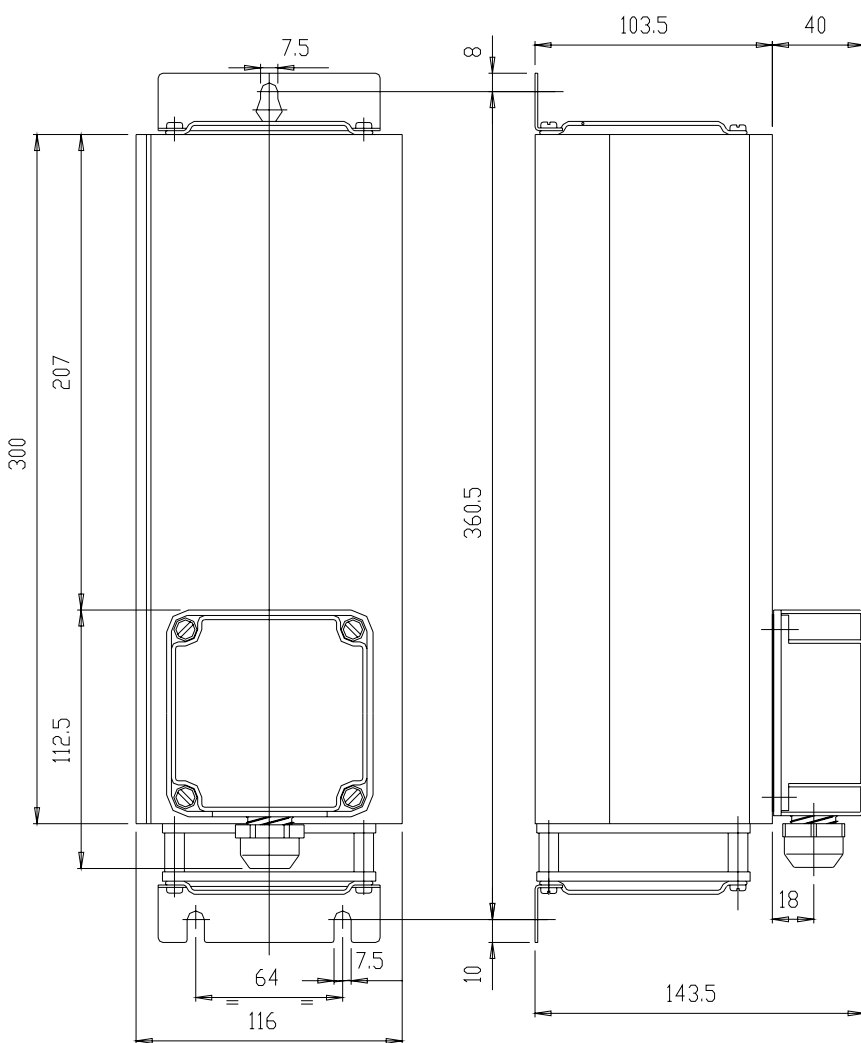
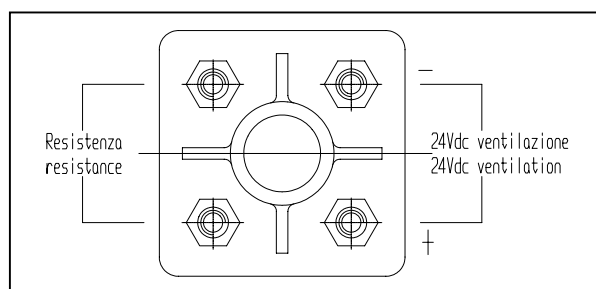
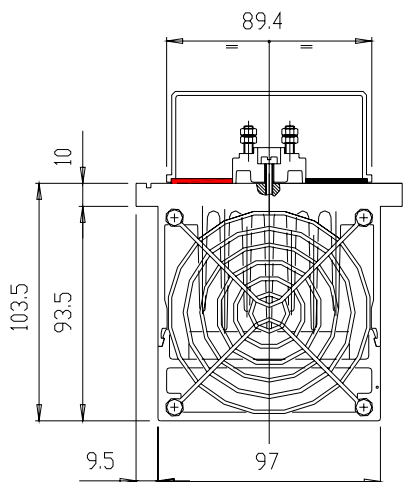
**RFE – RMT**  
**Manuale utente**  
*User's manual*



**Rev. 0.0**  
**Luglio 2005**  
**July 2005**

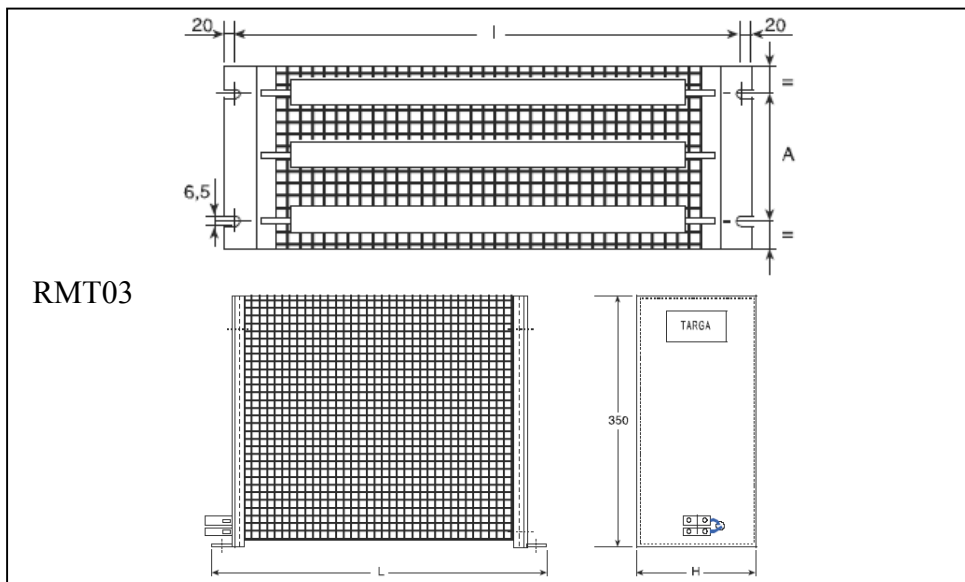
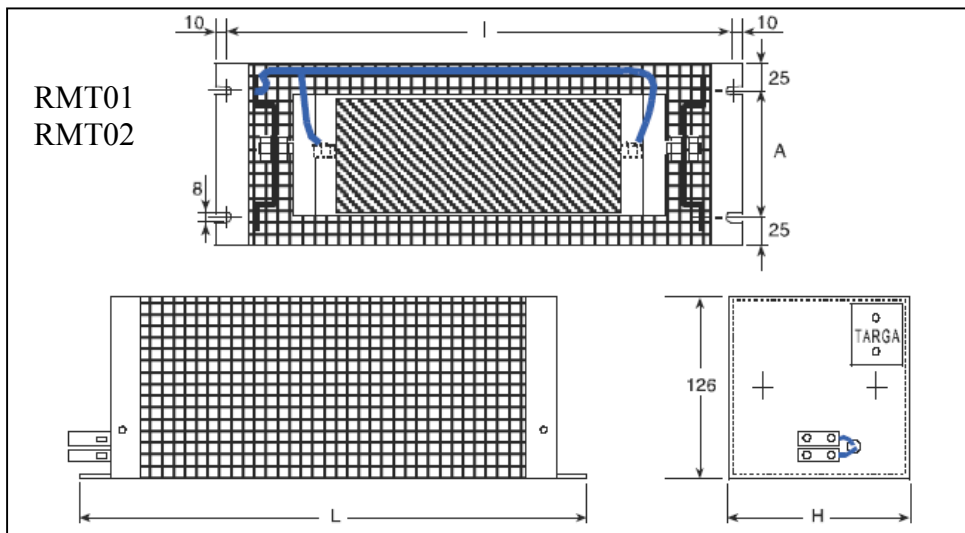
**CARATTERISTICHE TECNICHE RFE – Technical specifications RFE**

Modello – Model	RFE		
	RFE1	RFE2	RFE3
Codice SBC – SBC code			
Valore resistivo – Resistive value	40Ω	27Ω	13Ω
Potenza dissipabile – Power dissipated	1000W		
Grado di protezione – Protection degree	IP20		
Rigidità dielettrica – Dielectric rigidity	4000V <sub>eff</sub>		
Costante di tempo – Time constant	≈ 15'		
Temperatura max superficie – Max surface temperature	420°C		
Peso – Weight	2,5 kg		
Alimentazione ventilazione – Fan supply voltage	24Vdc		



**CARATTERISTICHE TECNICHE RMT – Technical specifications RMT**

Modello – Model	RMT								
Codice SBC SBC code	RMT01M27	RMT01M40	RMT01M75	RMT02M27	RMT02M40	RMT02M75	RMT03M27	RMT03M40	RMT03M75
Valore resistivo Resistive value	27Ω	40Ω	75Ω	27Ω	40Ω	75Ω	27Ω	40Ω	75Ω
Potenza dissipabile Power dissipated	900W			1800W			2700W		
Grado di protezione Protection degree	IP20			IP20			IP20		
Rigidità dielettrica Dielectric rigidity	3000V <sub>eff</sub>			3000V <sub>eff</sub>			2500V <sub>eff</sub>		
Costante di tempo Time constant	≈ 10'			≈ 15'			-		
Temperatura max superficie – Max surface temperature	200°C			200°C			220°C		
Peso – Weight	3 kg			3 kg			4 kg		



DIMENSIONI – DIMENSIONS			
	RMT01M	RMT02M	RMT03M
<b>L</b>	495	495	550
<b>I</b>	475	475	510
<b>H</b>	120	190	180
<b>A</b>	70	140	110
Tutte le dimensioni sono in mm; 1 inch= 25,4mm – All dimensions in mm; 1 inch = 25.4mm			

Modifiche ai dati del manuale possono essere eseguite a discrezione del costruttore senza preavviso. I dati riportati nel manuale corrispondono alle specifiche relative alla data della revisione. – Arranges to the manual data can be made by the manufacturer without advance notice. The data shown in the manual correspond to the specifications relating to the revision date.



# Divisione S.B.C.



## Worldwide distribution

### EUROPE

#### BELGIUM, LUXEMBURG PROCOTEC BVBA

Lieven Bauwensstraat 25A  
8200 Brugge (Industriezone Waggelwater)  
Tel. +32-50-320611 - Fax +32-50-320688  
www.procotec.be - info@procotec.be

#### DENMARK SERVOTECH AS

Ulvehavevej 42-46 - 7100 VEJLE  
Tel. +45-7942-8080 - Fax. +45-7942-8081  
www.servotech.dk - servotech@servotech.dk

#### FRANCE TRANSTECHNIK SERVOMECHANISMES S.A.

Z.A. Ahuy Suzon  
17 Rue Des Grandes Varennes - 21121 Ahuy  
Tel. +33-380-550000 - Fax +33-380-539363  
www.transtechnik.fr - infos@transtechnik.fr

#### GREAT BRITAIN AMIR POWER TRANSMISSION LTD

Amir House, Maxted Road - Hemel Hempstead  
Hertfordshire - HP2 7DX  
Tel +44-1442-212671 - Fax +44-1442-246640  
www.amirpower.co.uk - apt@amirpower.co.uk

#### QUIN SYSTEMS LIMITED

Oakland Business Centre  
Oakland Park - Wokingham  
Berkshire - RG41 2FD - U.K.  
Tel. +44-118-9771077 - Fax +44-118-9776728  
www.quin.co.uk - sales@quin.co.uk

#### HOLLAND VARIODRIVE AANDRIJF-EN BESTURINGSTECHNIEK B.V.

A. van Leeuwenhoekstraat 22  
3261 LT Oud-Beijerland  
Tel. +31-186-622301 - Fax +31-186-615228  
www.variodrive.nl - sales@variodrive.nl

#### PORTUGAL SIEPI LDA

Parque Industrial do Arneiro, Lote 46  
São Julião do Tojal - 2660-456 Loures  
Tel. +351-21-9737330 - Fax +351-21-9737339  
www.gruposiepi.com - Siepi@mail.Telepac.Pt

### SPAIN

**INTRA AUTOMATION SL**  
C/ALABAU, 20 Horno Alcedo  
E-46026 Valencia  
Tel. +34-96-3961008 - Fax +34-96-3961018  
www.intraautomationsl.com  
info@intraautomationsl.com

### SWITZERLAND INDUR ANTRIEBSTECHNIK AG

Margarethenstrasse 87  
CH - 4008 Basel  
Tel. +41-61-2792900 - Fax +41-61-2792910  
www.indur.ch - info@indur.ch

### TURKEY

**SANPA LTD STI**  
Plaj Yolu, Ersoy Apt. No. 14 D, 4  
34740 Suadiye - Istanbul  
Tel. +90-216-4632520 - Fax +90-216-3622727  
www.sanpald.com.tr - sanpa@turk.net

### NORTH AMERICA

**CANADA  
PARS ROBOTICS GROUP INC.**  
441 Esna Park Drive, units 11-12  
Markham, Ontario, L3R 1H7  
Tel. +1-905-4772886 - Fax +1-905-4770980  
www.parsrobotics.com - pars@parsrobotics.com

### UNITED STATES PARKER HANNIFIN CORPORATION COMPUMOTOR DIVISION

5500 Business Park Drive  
Rohnert Park, CA 94928  
Tel. +1-707-5847558 - Fax +1-707-5842446  
www.compumotor.com  
CMR\_Customer\_Service@parker.com

### CENTRAL AMERICA

**MEXICO  
PARKER HANNIFIN DE MÉXICO**  
Eje 1 Norte No. 100  
Parque Ind. Toluca 2000 - Toluca 50100  
Tel. +52 722 - 2754200 - Fax +52 722 - 2799308  
www.parker.com

### SOUTH AMERICA

#### ARGENTINA, CILE, PARAGUAY, URUGUAY R.A. INGENIERIA ELECTRONIC IND. Y COM.

Arregui 5382 - 1408 Buenos Aires  
Tel. +54-11-45675543 - Fax +54-11-45662870  
www.raing.com.ar - ra@raing.com.ar

### BRAZIL AUTOMOTION LTDA.

Acesso Jose Sartorelli Km2,1  
Parque das Arvores, 18550-000 Boituva - SP  
Tel. +55 15 33639900 - Fax +55 15 33639911  
www.automotion.com.br - coml@automotion.com.br

### VENEZUELA TEKNOMAQ C.A.

Avenida Manuel Diaz Rodriguez  
Edif. Milano Local C  
Santa Monica - Caracas  
Tel. +58-212-6335657 - Fax +58-212-6330466  
teknomaq@cantv.net

### ASIA

#### ISRAEL AF ELECTRONICS MOTOR CONTROL

PO BOX 741  
52322 Ramat-Gan Israel  
Tel. +972-3-6745457 - Fax +972-3-6776342  
afmotor@zahav.net.il

#### MALAYSIA PRESTIGE MACHINERY

No. 46, Jalan Bateri 34/5  
Bukit Kemuning Light Industrial Area  
42450 Shah Alam - Sengalor D.E.  
Tel. +60-3-5880-9851 - Fax +60-3-5880-8364  
presmach@maxis.net.my

#### TAIWAN AUTO ACCURACY CO. LTD

No. 18, 35RD, Taichung Industrial Park  
Taichung City  
Tel. +886-42-3594847 - Fax +886-42-3591083  
www.autoaccuracy.com.tw - autoauto@ms2.hinet.net

### OCEANIA

#### AUSTRALIA, NEW ZEALAND MOTION SOLUTIONS AUSTRALIA PTY LTD

Factory 2, 21-29 Railway Avenue  
Huntingdale, 3166  
Melbourne, Victoria  
Tel. +613-9563-0115 - Fax +613-9568-4667  
www.motion-solutions.com.au  
sales@motion-solutions.com.au



**Parker Hannifin S.p.A.**  
Electromechanical Automation  
Via Gounod 1  
20092 Cinisello Balsamo (MI), Italia  
Tel: +39 0266012459  
Fax: +39 0266012808  
www.sbcelettronica.com  
sales.sbc@parker.com

**Parker Hannifin GmbH**  
Electromechanical Automation  
Robert-Bosch-Str. 22  
D-77656 Offenburg, Germania  
Tel: +49 (0)781 509-0  
Fax: +49 (0)781 509-98-258  
www.parker-emd.com  
sales.hauser@parker.com

**Parker Hannifin plc**  
Electromechanical Automation  
21 Balena Close  
Poole, Dorset. BH17 7DX UK  
Tel: +44 (0)1202 50 6200  
Fax: +44 (0)1202 69 5750  
www.parker-emd.com  
sales.digiplan@parker.com