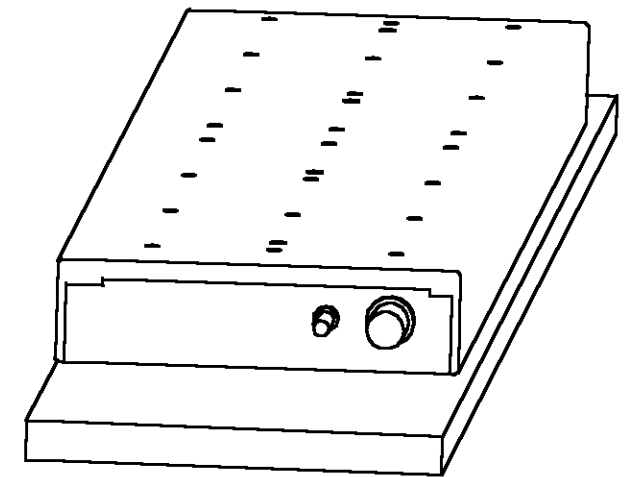
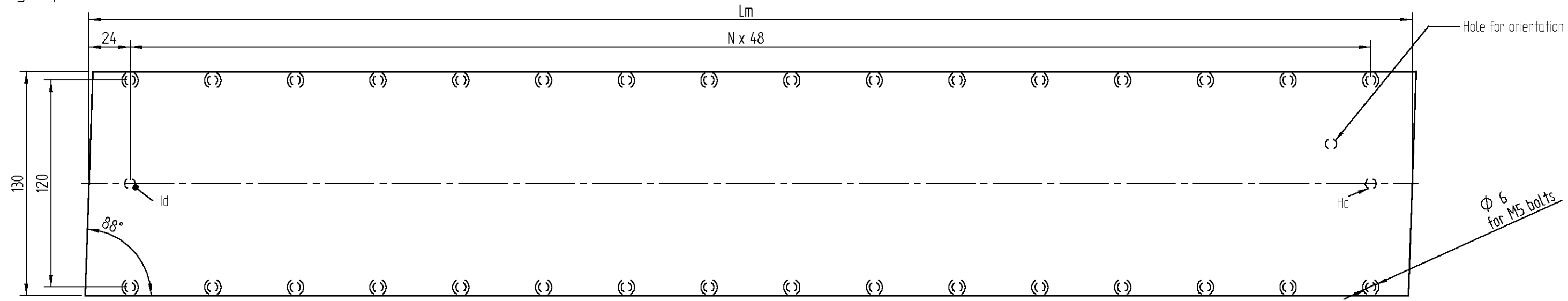
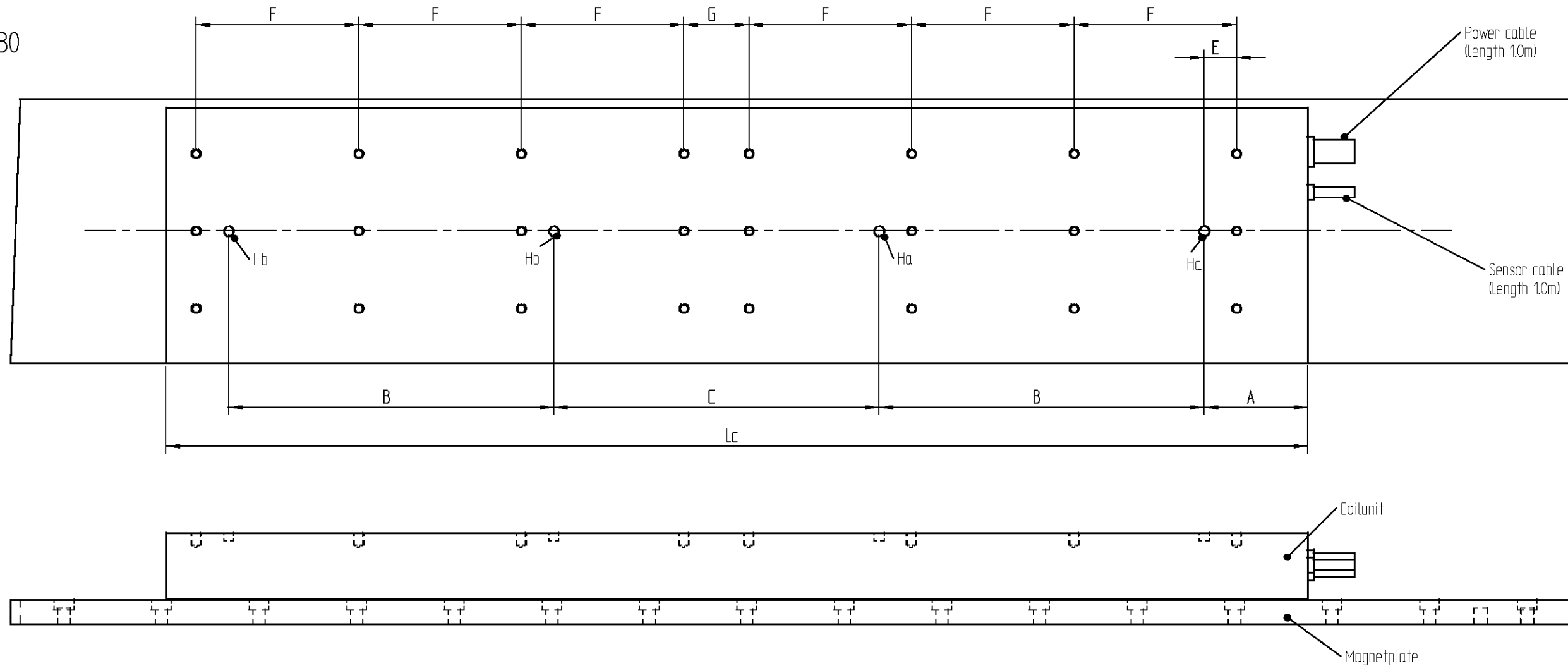


Magnetplate 768mm

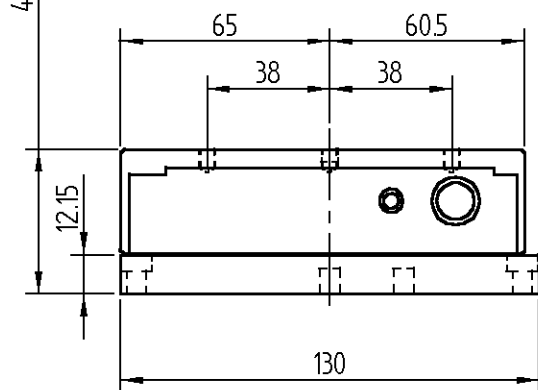


Ø 6 for M5 bolts

Coilunit TB30



standard mounting with cover  
45 ±0.1



	TB15		TB30	
	N	S	N	S
Lc	290		562	
A	51		51	
B	48		160	
C	112		160	
E	16		16	
F	80		80	
G	-		32	
# M5 (6 deep)	12		24	
# Ha Ø5F10	2		2	
# Hb =5F10	2		2	

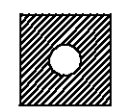
	Dimensions of Magnetplates		
	192mm	288mm	768mm
Lm	192	288	768
N	3	5	15
# M5 bolts	8	12	32
# Hc Ø5F8	1	1	1
# Hd =5F8	1	1	1

Magnetplates can be butted together.

# = number of

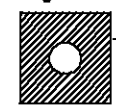
		UN-D 20 DIMENSION ± ANGLE ±				TOLERANCE UNLESS OTHERWISE STATED TOLERANTIES TENZI ANDERS VERMELD DIMENSION ± ANGLE ±		18-08-2003 TB series	
GENERAL FINISHES ALGEMENE RUWHEID		UNIT EENH. mm		MATERIAL MATERIAAL		TREATMENT BEHANDELING		ORDER NO. / ORDENR. QUANT. / AANTAL	
PROJ. EUROP.		SCALE SCHAAL		NAME NAAM		SUPERS VERV.		PROPERTY OF EIGENDOM VAN	
				1 110 1 1 110		TECHNOTION BV		ALMELD - NEDERLAND	

TECNOTION



TECNOTION

TECNOTION



TECNOTION

TECNOTION