

**Doc No.:** AN-216

**Version:** 1.0

**Date:** 05 September 2008

**Subject:** Connection Euro205x to P316/P325 CAN IO

## APPLICATION NOTE

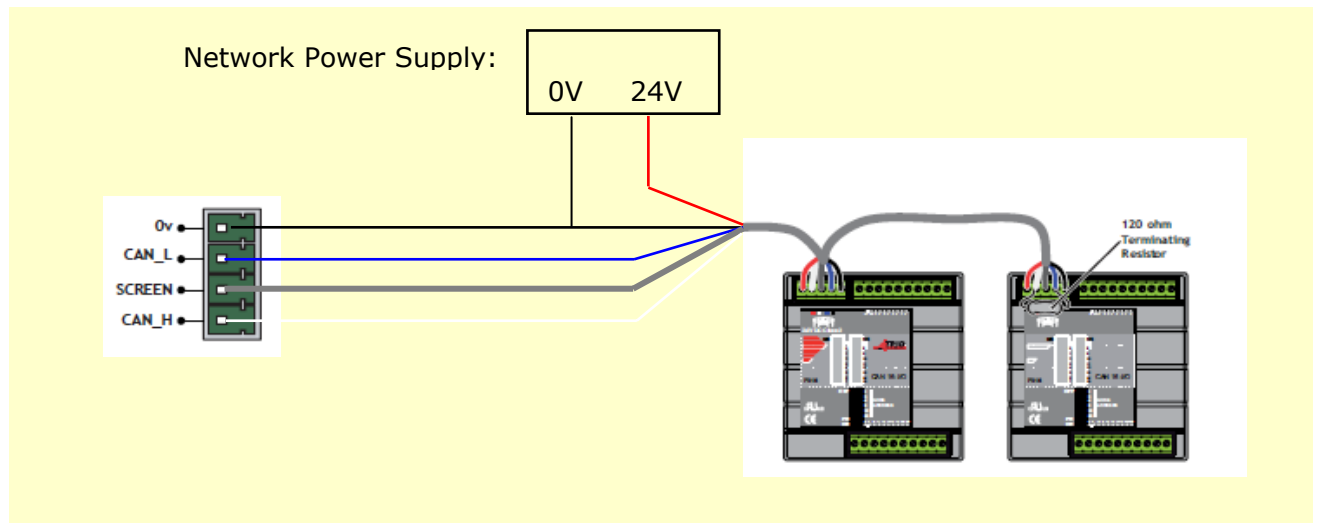
www.triomotion.com

### 1. Introduction

The Euro205x has a CANbus port with 4 way quick connect terminal strip on the front panel. This port can be used to connect external digital and analog Inputs/Outputs using Trio's CAN IO network.

This document describes how to make the physical connections between the Euro205x and the P316/P325 modules.

### 2. Wiring diagram



CAN IO Network connection to Euro205x

Recommended cable:

Blue/White 24AWG data twisted pair  
+ Red/Black 22AWG DC power twisted pair  
+ Screen

A suitable type is Belden 3084A.