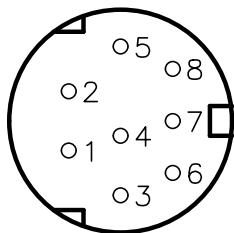
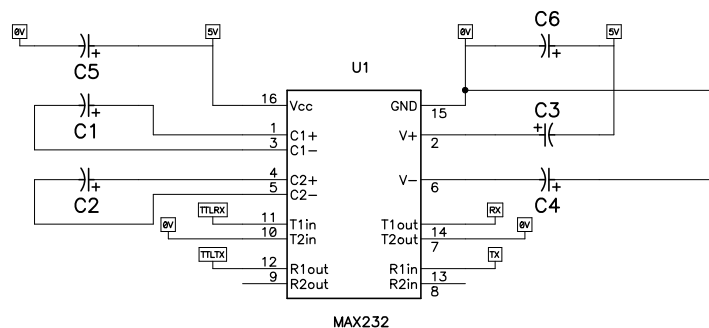


Pinout of Plug
(View from front of connector)



Pinout of Socket
(View from front of connector)



MAX232

Wiring List:

Pin Number	8 way MiniDIN Plug	8 way MiniDIN Socket
1	—	5V
2	—	0V
3	TX	—
4	0V	—
5	RX	—
6	5V	—
7	—	TTLTX
8	—	TTLRX

Note:

The example is intended to connect a MC302X (P192) serial port 1 to the Fibre optic adaptor (P435). The Plug should be inserted into Serial B on the MC302X and the Socket is for the Fibre Optic Adaptor. This circuit should only be used as an example. Please refer to the data sheet of the chosen MAX232 device for further details. Please consider that there are differences in the TrioBASIC between a MC302X and a controller that has the built in connection to the Fibre Optic Adaptor.

Title Trio Motion Technology RS232 to TTL		
Size A3	Number Checked by gd	Rev 1
Date Mon Mar 30, 2009	Drawn by A Hazle	
Filename 232 to ttl .SCH	Sheet 1	of 1