


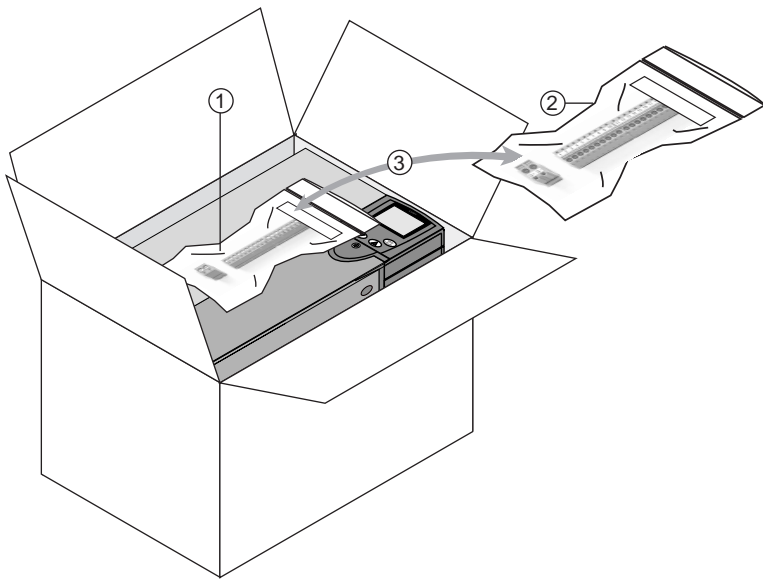


Control Terminals	Control Terminals	Order code
		<p>CT - <input type="checkbox"/> <input type="checkbox"/></p> <p><u>Control terminal</u></p> <p><u>Control terminal resp. Logistic service</u></p>
0927.0014	0927.0015	

Order description	Technical data
CT - 01	<p>The control terminals in screwed execution will be changed against control terminals in tension spring execution</p> <p>Attention: The order for accessories CT-01 must refer to an item of "inverter module" i. e.: item 1 inverter module CDA34 ... item 2 accessories CT-01 for inverter module item 1</p> 
0927.0014	Replacement: control terminals in tension spring execution
0927.0015	Replacement: control terminals in screwed execution

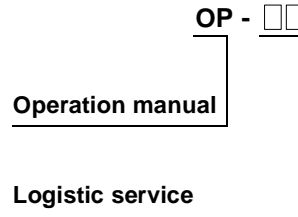
System arrangement CT - 01	Explanation
	<ol style="list-style-type: none"> (1) pack control terminals in screwed execution (standard) (2) pack control terminals in tension spring execution (3) 3. item 1 will be changed against item => CT-01

Logistic service operation manual



OP-01 ID. No. 0840.00B.2

Order code



System selection

Inverter modules

Accessories for
Inverter module

User and
communication module

Supplementary
components

LUST

Order description	Data
OP-01	<p>The inverter module will be supplied without operation manual.</p> <p>Attention: By ordering the OP-01 the product liability passes automatically to the buyer. The buyer is responsible that all information especially notes for safety handling and operation, are put at its customers disposal in appropriate form and language.</p> <p>The order logistic service OP-01 must always refer to an item of the order "inverter module".</p> <p>i. e.: item 1 Inverter module CDA34 ... item 2 logistic service Op-01 for inverter module item 1</p>

System arrangement OP - 01	Explanation
	<p>(1) Inverter module will be supplied without operation manual.</p>