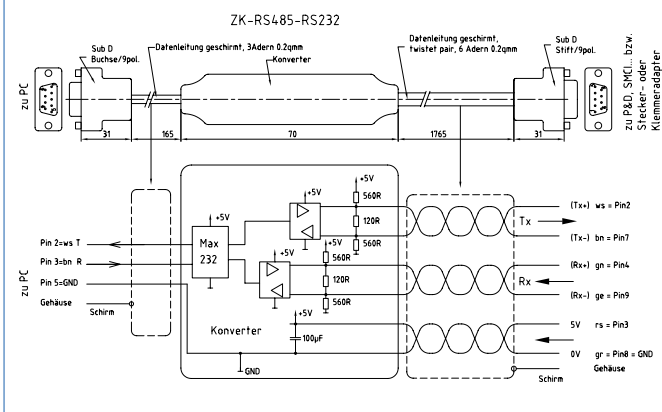


Connection cable

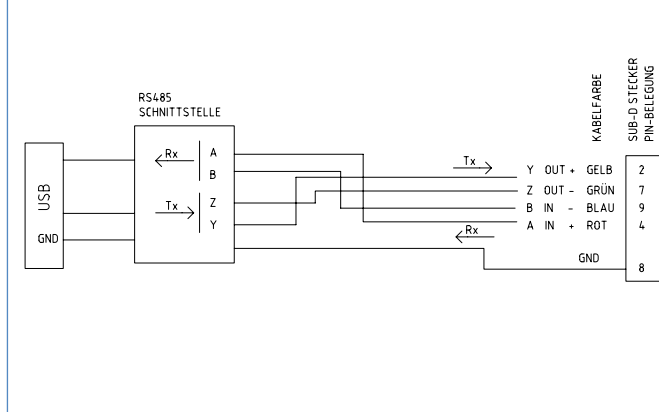
Order identifier

Interface converter	
ZK-RS485-RS232	Converter from RS232 to RS485, 4-wire
ZK-RS485-USB	Converter from USB to RS485, 4-wire
ZK-RS232-USB-3.3V	Converter RS232-USB (TTL for SMCI35)

ZK-RS485-RS232



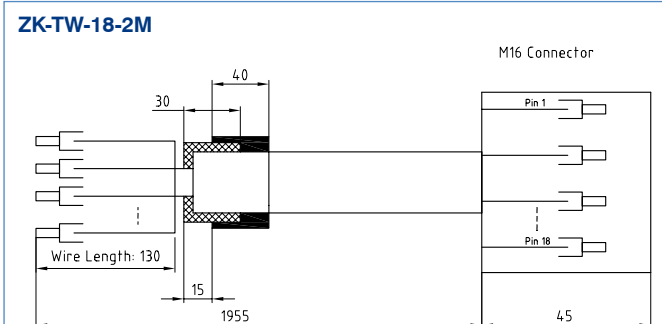
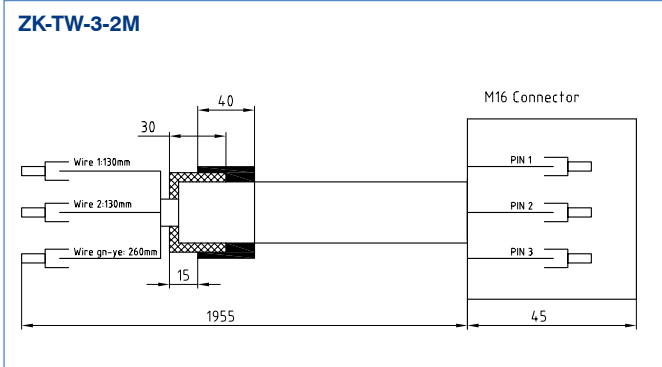
ZK-RS485-USB



Order identifier

M16 motor cable for PD6-N8918...-S motors		M16 signal cable for PD6-N8918...-S motors	
ZK-TW-3-2M motor cable, 3-pin, 2M		ZK-TW-18-2M signal cable, 18-pin, 2M	

Outline drawing (mm)



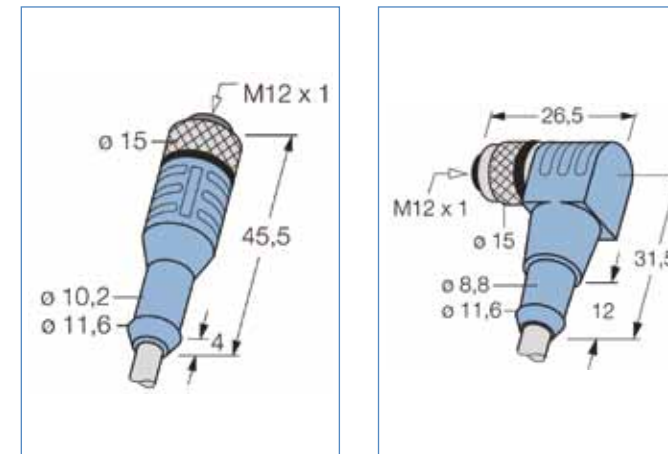
Pin configuration: ZK-TW-3-2M, ZK-TW-18-2M

ZK-TW-3-2M		ZK-TW-18-2M		
WIRE NO./COLOR	FUNCTION	FUNCTION	PIN	COLOR
1	+VB	Output 1	1	White/yellow
2	GND	Output 2	2	Yellow/brown
Green/yellow	Protective conductor	Output 3	3	White/gray
		Analog input	4	White/blue
		+Vb external	5	White/pink
		GND (W001)	6	Red
		RS485 Tx+	7	Gray
		RS485 Tx-	8	Pink
		RS485 Rx-	9	Yellow
		RS485 Rx+	10	Green
		Input 1	11	Black
		Input 2	12	Purple
		Input 3	13	Gray/pink
		Input 4	14	Red/blue
		Input 5	15	White/green
		Input 6	16	Brown/green
		CAN -	17	White
		CAN +	18	Brown

Connection cable

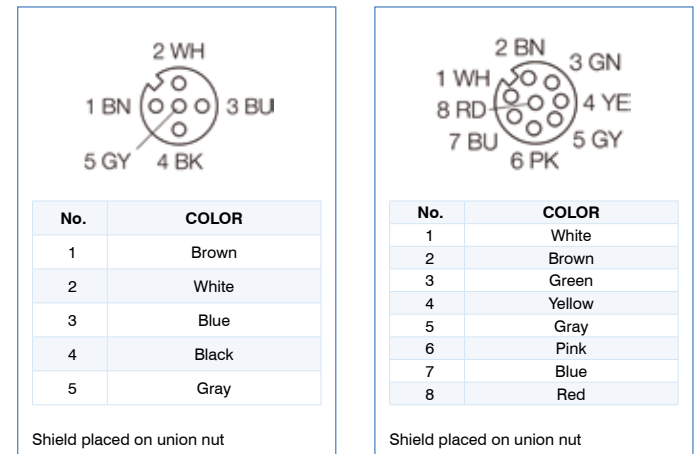
Order identifier

M12 cable for AS.. and AD.. motors with encoder	
ZK-M12-8-2M-1-PUR-S	8-pin, 2 m, straight connector, shielded
ZK-M12-8-5M-1-PUR-S	8-pin, 5 m, straight connector, shielded
ZK-M12-8-2M-2-PUR-S	8-pin, 2 m, angled connector, shielded
ZK-M12-8-5M-2-PUR-S	8-pin, 5 m, angled connector, shielded



Order identifier

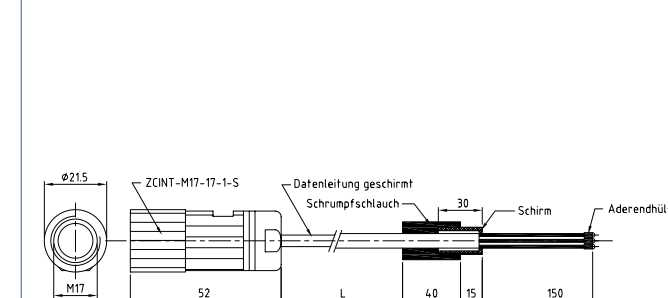
M12 motor connection for AS.. motors	
ZK-M12-5-2M-1-PUR-S	5-pin, 2 m, straight connector, shielded
ZK-M12-5-5M-1-PUR-S	5-pin, 5 m, straight connector, shielded
ZK-M12-5-2M-2-PUR-S	5-pin, 2 m, angled connector, shielded
ZK-M12-5-5M-2-PUR-S	5-pin, 5 m, angled connector, shielded



Order identifier

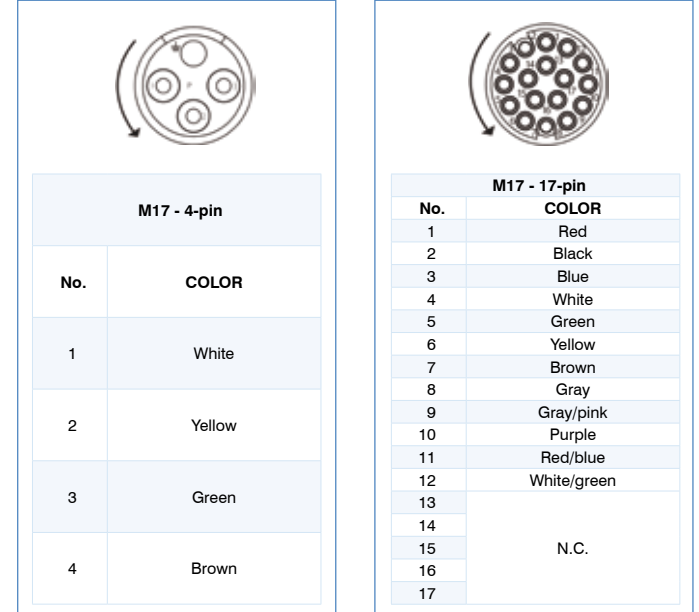
M17 motor cable for ADB87 motors	
ZK-M17-4-2M	Motor cable, 4-pin, 2 m
ZK-M17-4-5M	Motor cable, 4-pin, 5 m
ZK-M17-4-7M	Motor cable, 4-pin, 7 m

ZK-M17



Order identifier

M17 signal cable for ADB87 motors	
ZK-M17-12-2M	Signal cable, 12-pin, 2 m
ZK-M17-12-5M	Signal cable, 12-pin, 5 m
ZK-M17-12-7M	Signal cable, 12-pin, 7 m



Order identifier

Diverse cable sets	
ZK-SMC11	Assembled cable set for SMC11/G/GE, L=300 mm
ZK-SMC12	Assembled cable set for SMC12
ZK-SMC12-3	Assembled cable set for SMC12 with CAN Open
ZK-USB	Programming cable for SMC133-1