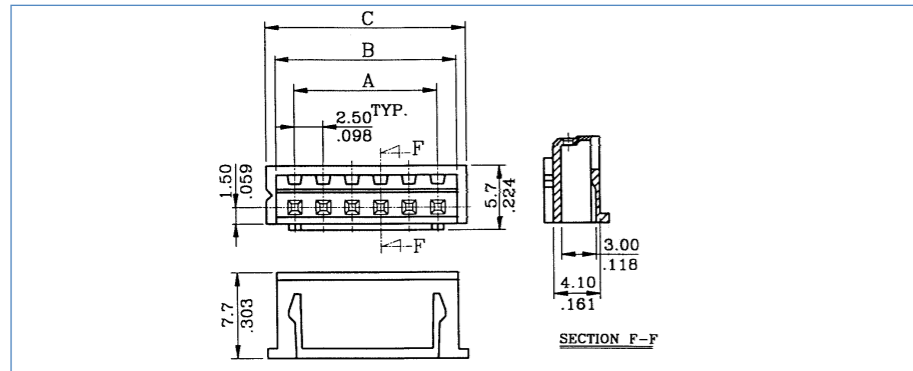


Plug connector

Socket housing JST-XHP



Pin assignment

Pins	(X)	Size A	Size B	Size C
2	2	2.5	5.7	7.3
3	3	5.0	8.2	9.8
4	4	7.5	10.7	12.3
5	5	10.0	13.2	14.8
6	6	12.5	15.7	17.3
8	8	17.5	20.7	22.3

Order identifier

ZCJST-XHP (X)

Order identifier

ZCJST-SXH

Order identifier

Crimping tool for individual contact springs
ZC2WC-110

Pin assignment

Pins	(X)	Size A	Size B
4	04NR	7.5	12.5
5	05NR	10.0	15.0
6	06NR	12.5	17.5
8	08NR	17.5	22.5

Order identifier

ZCJST (X)

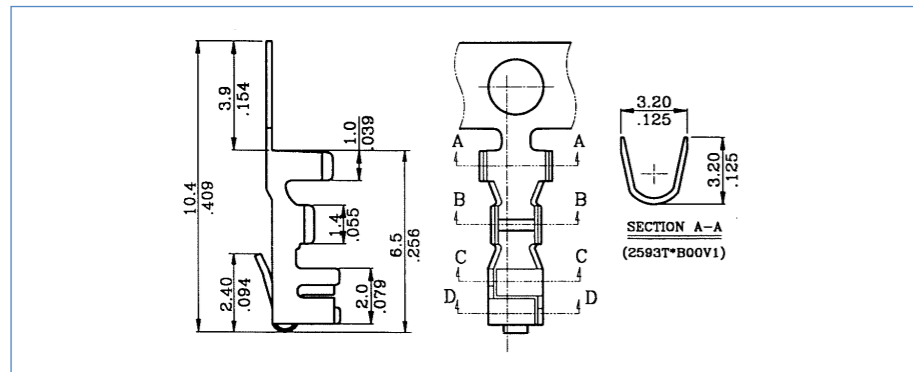
Pin assignment

Pins	(X)	Size A	Size B	Size C
4	SL4-2.54	7.5	12.5	11.1
6	SL6-2.54	12.5	17.5	16.1
8	SL8-2.54	17.5	22.5	21.1

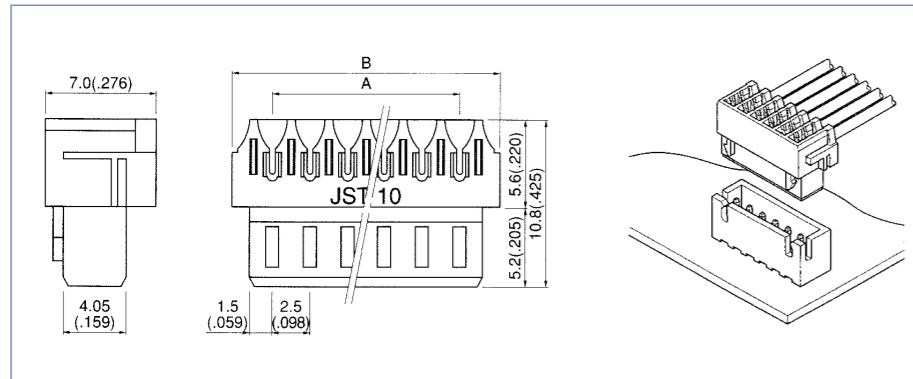
Order identifier

ZC2 (X)

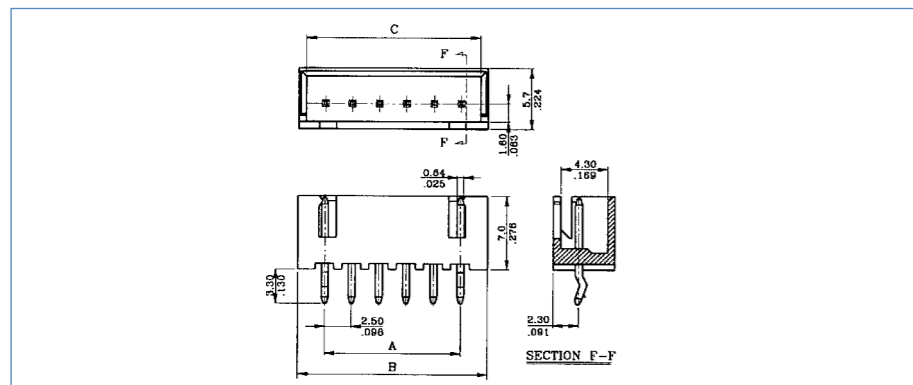
Contact springs AWG22 - 26



Insulation displacement connection technology, connector for AWG24

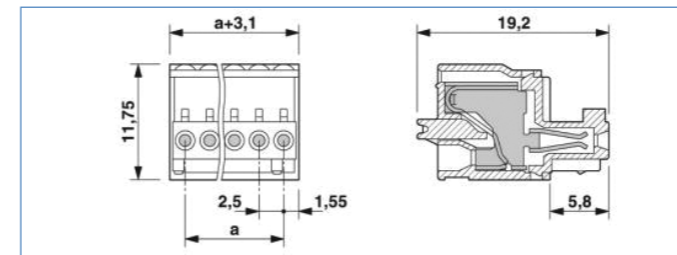


Pin connector for RM print assembly 2.54 mm (JST-XHP)



Plug connector

COMBICON connector socket housing



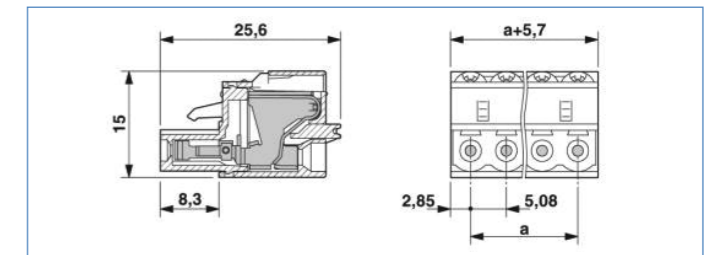
Order identifier

ZCPHOFK-MC0.5 (X)

Pin assignment

Pins	X	Size A
2	2	2.5
4	4	7.5
5	5	10.0
8	8	17.5
12	12	27.5

COMBICON HC connector socket housing



Order identifier

ZCPHOFKC-2.5HC (X)

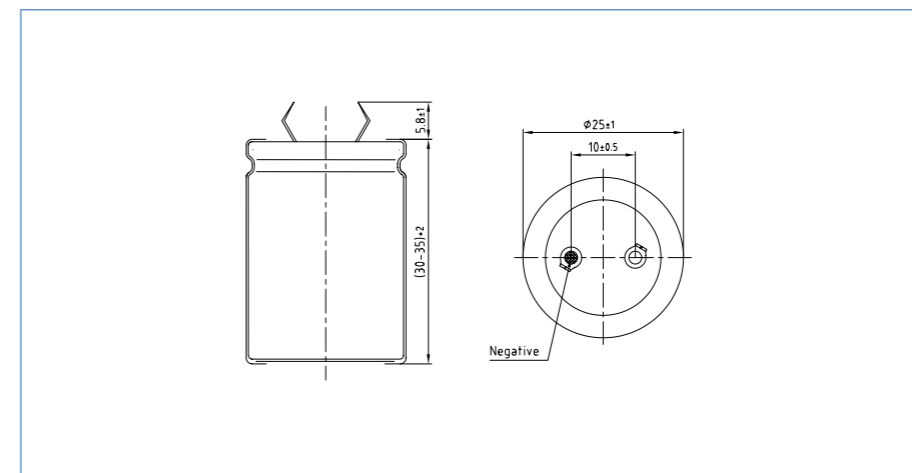
Pin assignment

Pins	X	Size A
2	2	5.08
4	4	15.24

Charging condenser

Parallel to the operating voltage, charging capacitors are required on drivers or Plug&Drive stepper motors so that the admissible voltage is not exceeded during the braking process.

Outline drawing (in mm)



Charging capacitor 4,700 µF

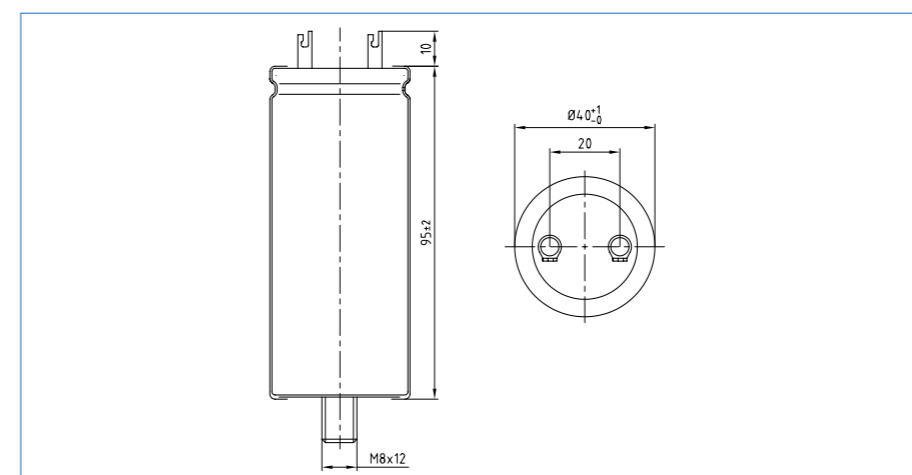


Capacity: 4,700 µF/50 V
Temperature range: -40 to +85°C
Dimensions: Round cylindrical aluminum case, 25 x 35 mm
Capacity tolerance: ± 20%
Contact spacing: 10 mm

Order identifier

Z-K4700/50

Outline drawing (in mm)



Charging capacitor 10,000 µF



Capacity: 10,000 µF/100 V
Temperature range: -40 to +105 °C
Dimensions: Round cylindrical aluminum case, 40 x 95 mm
Capacity tolerance: -10% ~ 30%
Contact spacing: 20 mm

Order identifier

Z-K10000/100