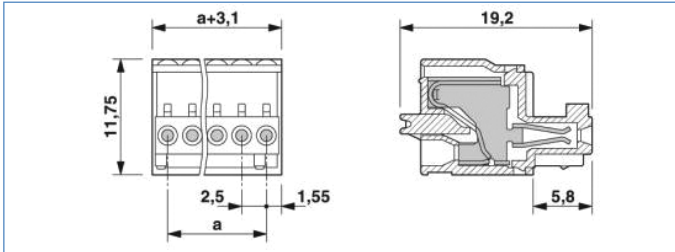
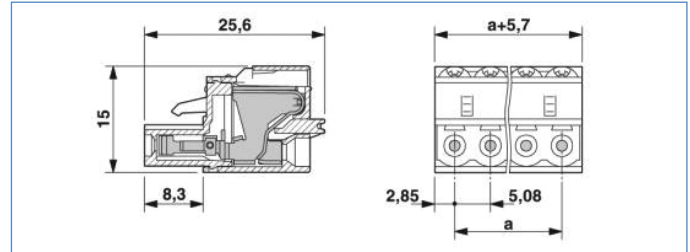


Plug connector

COMBICON connector socket housing



COMBICON HC connector socket housing



Order identifier

ZCPHOFK-MC0.5 - (X)

Pin assignment

Pins	X	Size A
2	2	2.5
4	4	7.5
5	5	10.0
8	8	17.5
12	12	27.5

Order identifier

ZCPHOFKC-2.5HC - (X)

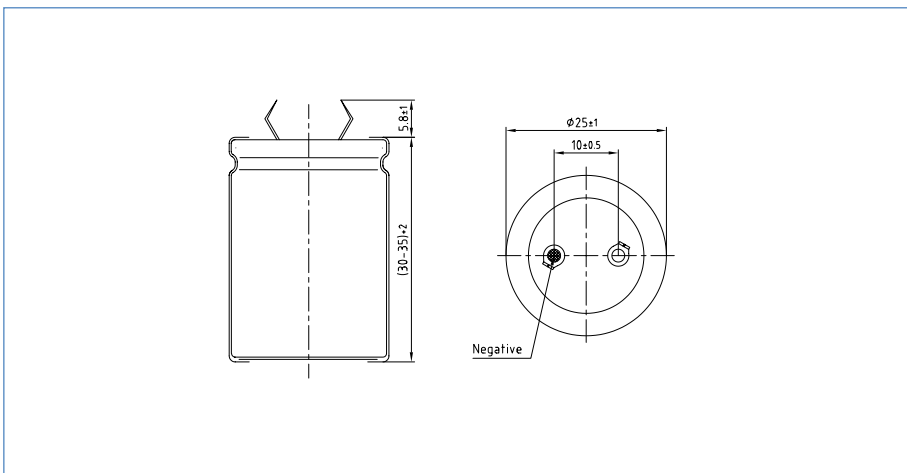
Pin assignment

Pins	X	Size A
2	2	5.08
4	4	15.24

Charging condenser

Parallel to the operating voltage, charging capacitors are required on drivers or Plug&Drive stepper motors so that the admissible voltage is not exceeded during the braking process.

Outline drawing (in mm)



Charging capacitor 4,700 µF

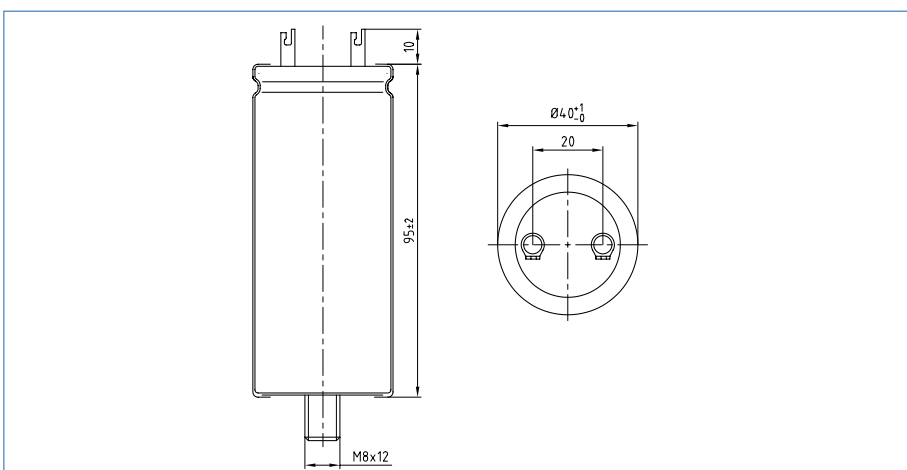


Capacity: 4,700 µF/50 V
 Temperature range: -40 to +85°C
 Dimensions: Round cylindrical aluminum case, 25 x 35 mm
 Capacity tolerance: ± 20%
 Contact spacing: 10 mm

Order identifier

Z-K4700/50

Outline drawing (in mm)



Charging capacitor 10,000 µF



Capacity: 10,000 µF/100 V
 Temperature range: -40 to +105 °C
 Dimensions: Round cylindrical aluminum case, 40 x 95 mm
 Capacity tolerance: -10% ~ 30%
 Contact spacing: 20 mm

Order identifier

Z-K10000/100