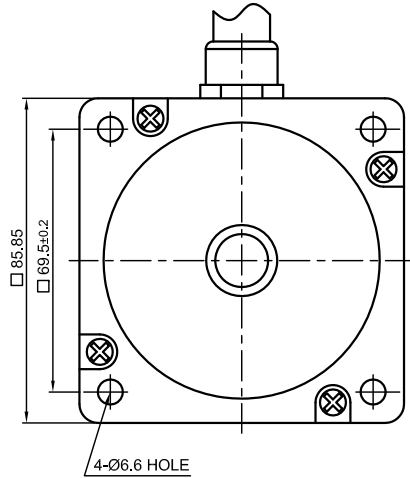
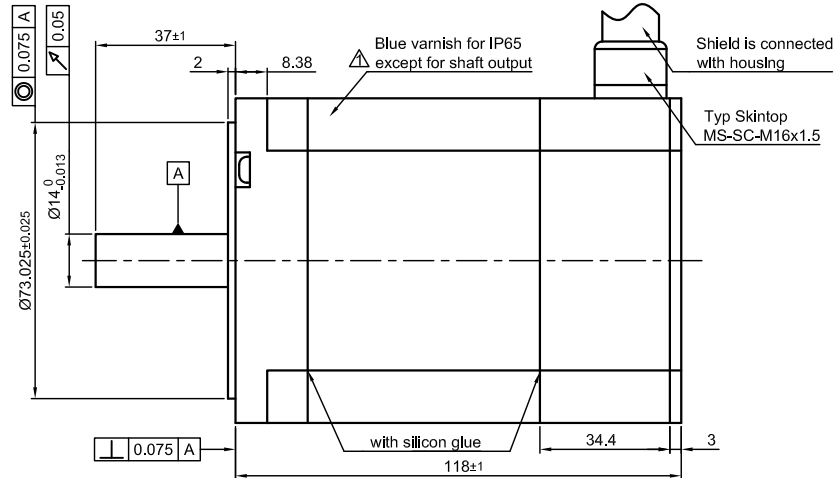


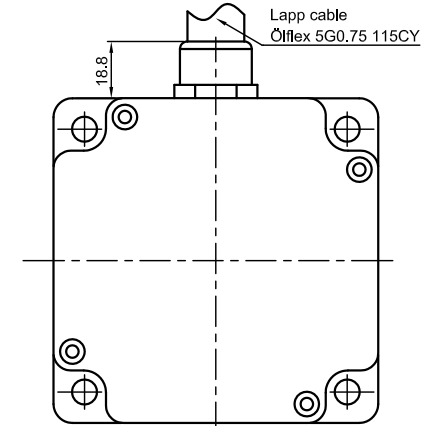
Front view and mounting



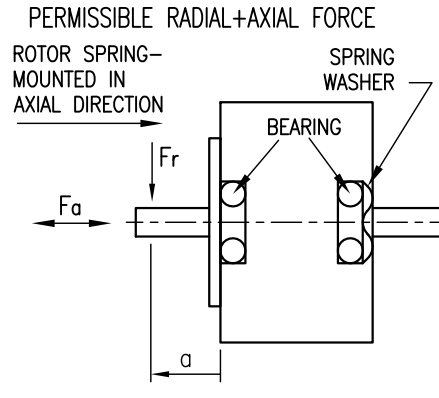
Side view



Rear view



SPECIFICATION	CONNECTION	BIPOLAR PARALLEL
VOLTAGE (VDC)		2.1
AMPS/PHASE		6.36
RESISTANCE/PHASE (Ohms)@25°C		0.33±15%
INDUCTANCE/PHASE (mH) @1KHz		3.0±20%
HOLDING TORQUE (Nm) [lb-in]		5.94 [52.57]
DETENT TORQUE (Nm) [lb-in]		0.21 [1.8585]
STEP ANGLE (°) ± STEP ACCURACY		1.8 ± 5% (NON-ACCUM)
BACK-EMF (V) (300 U/min)		23.15
ROTOR INERTIA (Kg-m²) [lb-in²]		2.7x10 ⁻⁴ [0.923]
WEIGHT (Kg) [lb]		3.4 [7.5]
TEMPERATURE RISE: MAX.80°C (MOTOR STANDSTILL; FOR 2 PHASE ENERGIZED)		
AMBIENT TEMPERATURE -10°~ 50°C [14°F ~ 122°F]		
INSULATION RESISTANCE 100 MOhm (UNDER NORMAL TEMPERATURE AND HUMIDITY)		
INSULATION CLASS B 130° [266°F]		
DIELECTRIC STRENGTH 500VAC FOR 1 MIN. (BETWEEN THE MOTOR COILS AND THE MOTOR CASE)		
AMBIENT HUMIDITY MAX. 85% (NO CONDENSATION)		



	AXIAL-FORCE Fa (N)	Fa=65			
DISTANCE a (mm)		5	10	15	20
RADIAL-FORCE Fr (N)		535	355	256	200
		AXIAL	RADIAL		
SHAFT PLAY (mm)		0.075	0.025		
AT LOAD MAX: (N)		10	5.0		

M16 MOTOR	
CABLE NO.	ASSIGNMENT
1	A
2	A\
3	B
4	B\
5	HOUSING

				 Nanotec [®] PLUG & DRIVE	SCALE FREE	APVD	S.H.	22.07.08	STEPPER MOTOR IN PROTECTION DWG.NO AP8918M6404
1	RESTRICTION SUP.+EMF+WEIGHT	18.02.10	J.W.		X ±0.5	CHKD			
REV	DESCRIPTION	DATE	APVD	AP8918M6404	1PL ±0.2	DRN	J.W.	22.07.08	
					2PL ±0.1	SIGNATURE		DATE	
					ANGLE ±30'				