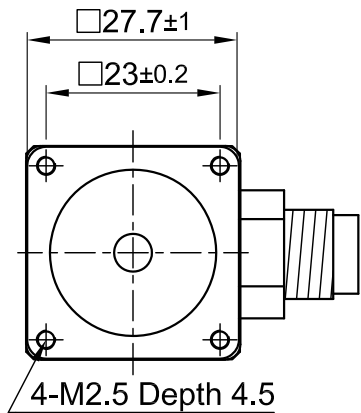
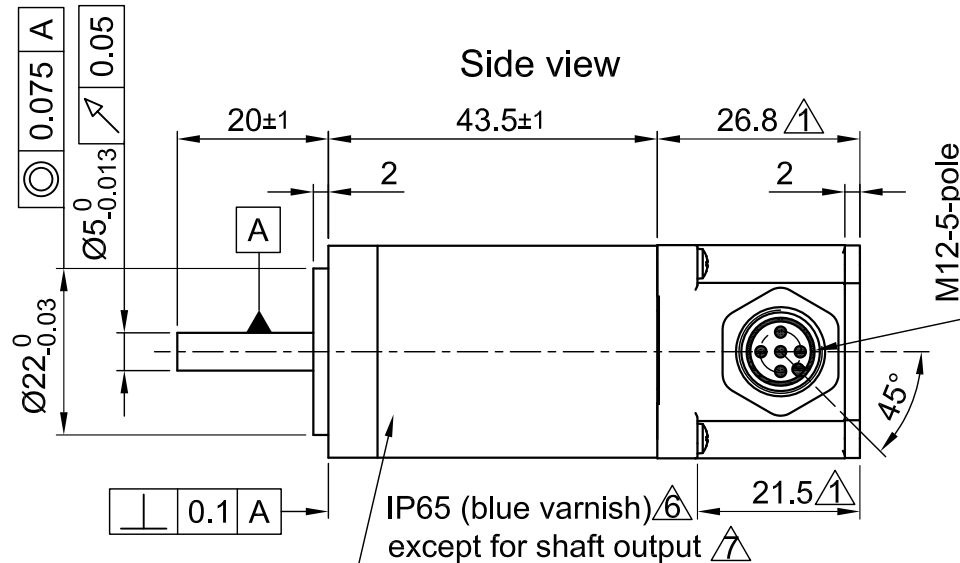


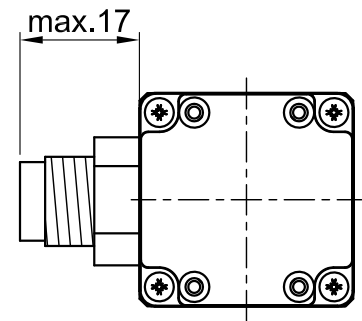
Front view and mounting



Side view

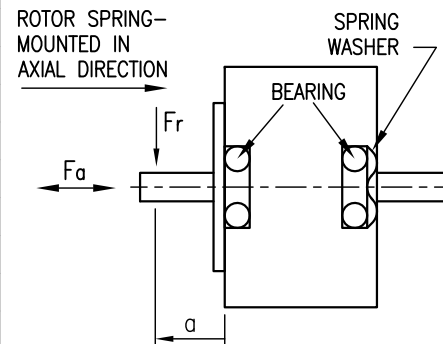


Rear view



SPECIFICATION	CONNECTION	BIPOLAR	SERIAL
VOLTAGE (VDC)		6.16	
AMPS/PHASE		0.67	
RESISTANCE/PHASE (Ohms)@25°C		9.2±15%	
INDUCTANCE/PHASE (mH) @1KHz		5.6±20%	
HOLDING TORQUE (Nm) [lb-in]		0.127 [1.124]	
DETENT TORQUE (Nm) [lb-in]		4.5x10 <sup>-3</sup> [0.04]	
STEP ANGLE (°)		1.8	
STEP ACCURACY (NON-ACCUM)		±5%	
ROTOR INERTIA (Kg-m <sup>2</sup> ) [lb-in <sup>2</sup> ]		1.8x10 <sup>-6</sup> [6.148x10 <sup>-3</sup> ]	
WEIGHT (Kg) [lb]		0.22 [0.485]	

PERMISSIBLE RADIAL+AXIAL FORCE



CABLE MOTOR:  $\triangle$   
 ZK-M12-5-2m(5m)  
 STRAIGHT OR 90°  
 ANGELED

M12-5 pole Motor	
NO.	ASSIGNMENT
1	A\
2	A
3	B
4	B\
5	HOUSING

FULL STEP 2 PHASE-Ex.,  
 WHEN FACING MOUNTING END (X)

STEP	A	B	A\	B\	
1	+	+	-	-	CCW ↓ ↑ CW
2	-	+	+	-	
3	-	-	+	+	
4	+	-	-	+	

TEMPERATURE RISE: MAX.80°C (MOTOR STANDSTILL; FOR 2 PHASE ENERGIZED)	AXIAL-FORCE Fa (N)	Fa=7			
AMBIENT TEMPERATURE -10~ 50°C [14°F ~ 122°F]	DISTANCE a (mm)	5	10	15	20
INSULATION RESISTANCE 100 MOhm (UNDER NORMAL TEMPERATURE AND HUMIDITY)	RADIAL-FORCE Fr (N)	58	36	26	20
INSULATION CLASS B 130° [266°F]		AXIAL		RADIAL	
DIELECTRIC STRENGTH 500VAC FOR 1 MIN. (BETWEEN THE MOTOR COILS AND THE MOTOR CASE)	SHAFT PLAY (mm)	0.075		0.025	
AMBIENT HUMIDITY MAX. 85% (NO CONDENSATION)	AT LOAD MAX: (N)	10		5.0	

6	BLUE VARNISH+IP65	13.01.10	J.W.
5	WIRE COLOUR DELETE	29.09.09	J.W.
7	RESTRICTION SUPPLEMENTED	17.02.10	J.W.
REV	DESCRIPTION	DATE	APVD



AS2818L0604  $\triangle$

SCALE	FREE	APVD	S.Ha.	11.07.07
X	±0.5	CHKD		
1PL	±0.2	DRN	J.W.	15.01.07
2PL	±0.1	SIGNATURE		DATE
ANGLE	±30°			

STEPPER MOTOR IN PROTECTION

DWG.NO

AS2818L0604  $\triangle$