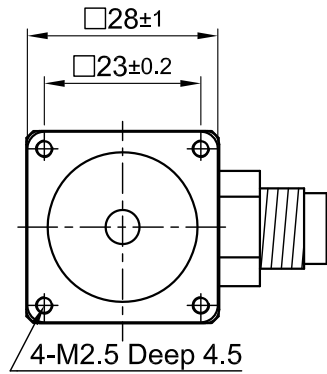
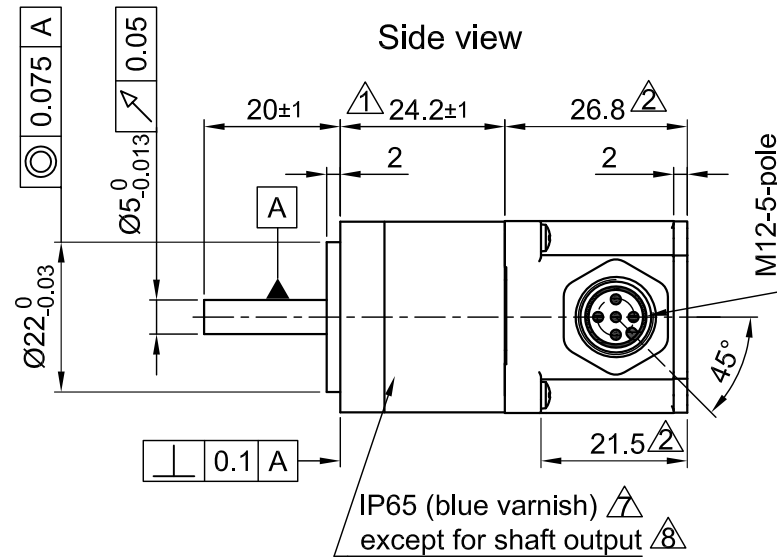


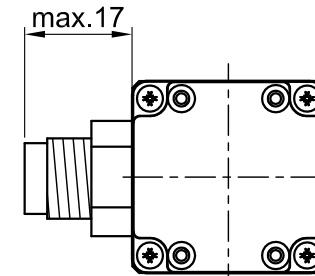
Front view and mounting



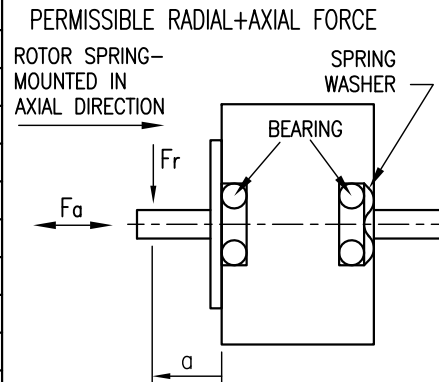
Side view



Rear view



CONNECTION	BIPOLAR	SERIAL
SPECIFICATION		
VOLTAGE (VDC)	3.75	
AMPS/PHASE	0.67	
RESISTANCE/PHASE (Ohms)@25°C	5.6±15%	
INDUCTANCE/PHASE (mH) @1KHz	4.0±20%	
HOLDING TORQUE (Nm) [lb-in]	0.071 [0.626]	
DETENT TORQUE (Nm) [lb-in]	2.5x10 <sup>-3</sup> [0.0222]	
STEP ANGLE (°)	1.8	
STEP ACCURACY (NON-ACCUM)	±5%	
ROTOR INERTIA (Kg-m <sup>2</sup> ) [lb-in <sup>2</sup> ]	9x10 <sup>-7</sup> [3.074x10 <sup>-3</sup> ]	
WEIGHT (Kg) [lb]	0.13 [0.287]	
TEMPERATURE RISE: MAX.80°C (MOTOR STANDSTILL; FOR 2 PHASE ENERGIZED)		
AMBIENT TEMPERATURE -10°~ 50°C [14°F ~ 122°F]		
INSULATION RESISTANCE 100 MOhm (UNDER NORMAL TEMPERATURE AND HUMIDITY)		
INSULATION CLASS B 130° [266°F]		
DIELECTRIC STRENGTH 500VAC FOR 1 MIN. (BETWEEN THE MOTOR COILS AND THE MOTOR CASE)		
AMBIENT HUMIDITY MAX. 85% (NO CONDENSATION)		



AXIAL-FORCE Fa (N)	Fa=7			
DISTANCE a (mm)	5	10	15	20
RADIAL-FORCE Fr (N)	58	36	26	20
	AXIAL		RADIAL	
SHAFT PLAY (mm)	0.075		0.025	
AT LOAD MAX: (N)	10		5.0	

CABLE MOTOR:  $\triangle$   
 ZK-M12-5-2m(5m)  
 STRAIGHT OR 90°  
 ANGELED

M12-5 pole Motor	
NO.	ASSIGNMENT
1	A\
2	A
3	B
4	B\
5	HOUSING

FULL STEP 2 PHASE-Ex.,  
 WHEN FACING MOUNTING END (X)

STEP	A	B	A\	B\	CW	CCW
1	+	+	-	-	↓	↑
2	-	+	+	-		
3	-	-	+	+	↑	↓
4	+	-	-	+		

6	WIRE COLOUR DELETE	29.09.09	J.W.
8	RISTRATION SUPPLEMENTED	17.02.10	J.W.
7	BLUE VARNISH+IP65	13.01.10	J.W.
REV	DESCRIPTION	DATE	APVD



AS2818S0604  $\triangle$

SCALE	FREE	APVD	S.Ha.	11.07.07
X	±0.5	CHKD		
1PL	±0.2	DRN	J.W.	15.01.07
2PL	±0.1	SIGNATURE		DATE
ANGLE	±30'			

**STEPPER MOTOR IN PROTECTION**  
 DWG.NO AS2818S0604  $\triangle$