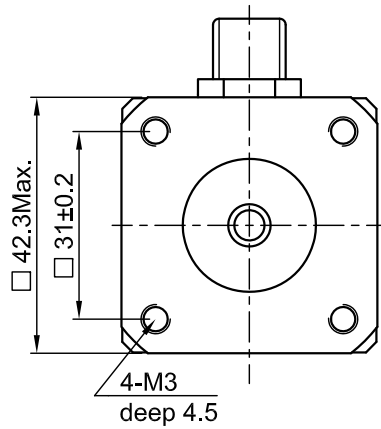
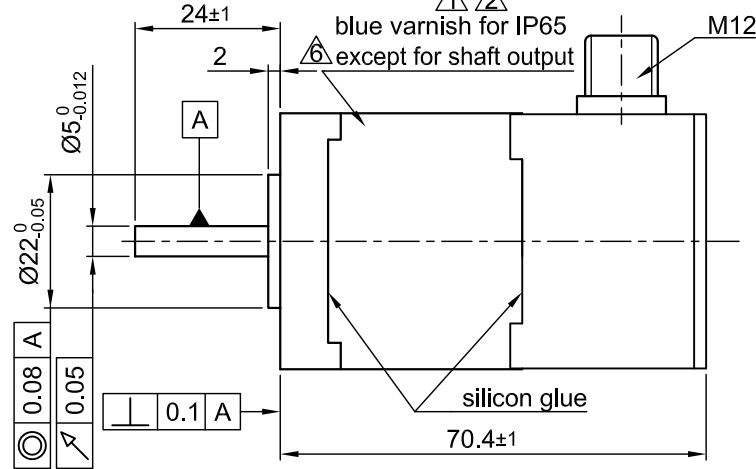


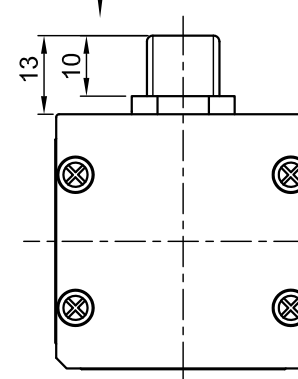
Front view and mounting



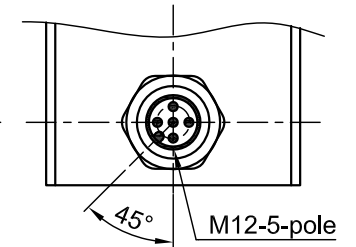
Side view



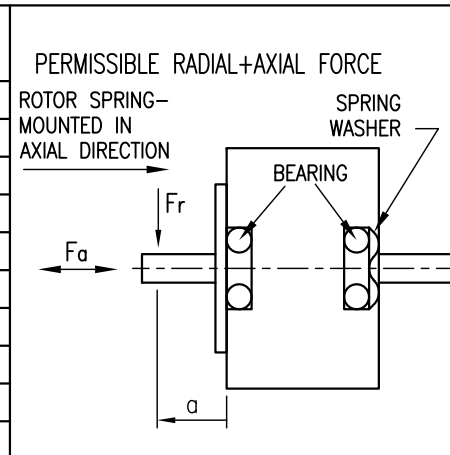
Rear view



Y view



SPECIFICATION	CONNECTION	BIPOLAR SERIAL
VOLTAGE (VDC)		3.15
AMPS/PHASE		1.8
RESISTANCE/PHASE (Ohms)@25°C		1.75±10%
INDUCTANCE/PHASE (mH) @1KHz		3.3±20%
HOLDING TORQUE (Nm) [lb-in]		0.5 [4.425]
DETENT TORQUE (Nm) [lb-in]		0.022 [0.1946]
STEP ANGLE (°) ± ACCURACY		1.8±5% (NON-ACCUM)
BACK-EMF (V) (300 U/min)		6.9
ROTOR INERTIA (Kg-m <sup>2</sup> ) [lb-in <sup>2</sup> ]		8.2x10 <sup>-6</sup> [0.028]
WEIGHT (Kg) [lb]		0.34 [0.75]
TEMPERATURE RISE: MAX.80°C (MOTOR STANDSTILL; FOR 2 PHASE ENERGIZED)		
AMBIENT TEMPERATURE -10°~ 50°C [14°F ~ 122°F]		
INSULATION RESISTANCE 100 MOhm (UNDER NORMAL TEMPERATURE AND HUMIDITY)		
INSULATION CLASS B 130° [266°F]		
DIELECTRIC STRENGTH 500VAC FOR 1 MIN. (BETWEEN THE MOTOR COILS AND THE MOTOR CASE)		
AMBIENT HUMIDITY MAX. 85% (NO CONDENSATION)		



	AXIAL-FORCE Fa (N)				F <sub>a</sub> =15	
DISTANCE a (mm)	5	10	15	20	AXIAL	RADIAL
RADIAL-FORCE Fr (N)	58	36	26	20	AXIAL	RADIAL
SHAFT PLAY (mm)	0.08		0.02		AXIAL	RADIAL
AT LOAD MAX: (N)	4.5		4.5		AXIAL	RADIAL

CABLE MOTOR:  $\Delta$   
 ZK-M12-5-2m(5m)  
 STRAIGHT OR 90°  
 ANGELED

M12-5 pole Motor	
NO.	ASSIGNMENT
1	A\
2	A
3	B
4	B\
5	HOUSING

FULL STEP 2 PHASE-Ex.,  
 WHEN FACING MOUNTING END (X)

STEP	A	B	A\	B\	CCW	CW
1	+	+	-	-	↓	↑
2	-	+	+	-	↓	↑
3	-	-	+	+	↓	↑
4	+	-	-	+	↓	↑

6	RESTRICTION SUPPLEMENTED	17.02.10	J.W.
5	WIRE COLOUR DELETE	29.09.09	J.W.
7	VALUES OF RADIAL-FORCE	11.11.10	J.W.
REV	DESCRIPTION	DATE	APVD



AS4118L1804

SCALE FREE	APVD	S.H.	12.08.08
X ±0.5	CHKD		
1PL ±0.2	DRN	J.W.	12.08.08
2PL ±0.1	SIGNATURE	DATE	
ANGLE ±30'			

**STEPPER MOTOR IN PROTECTION**

DWG.NO  
 AS4118L1804