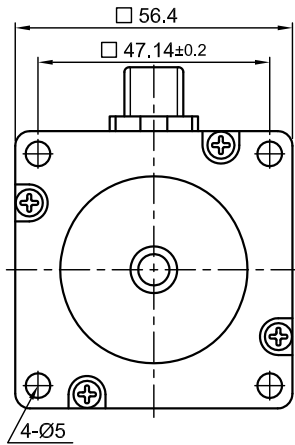
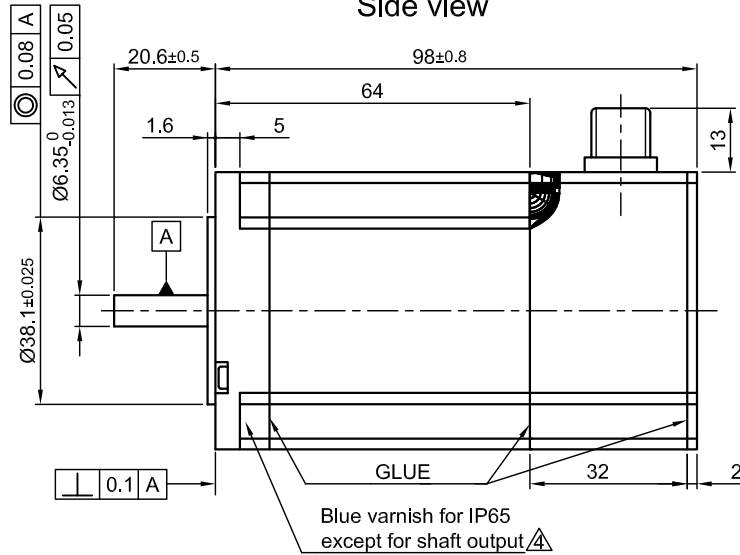


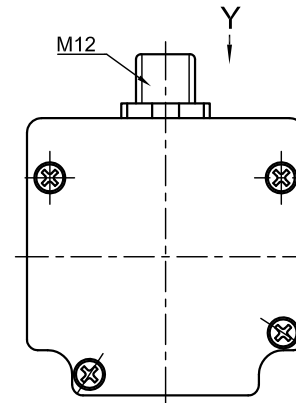
Front view and mounting



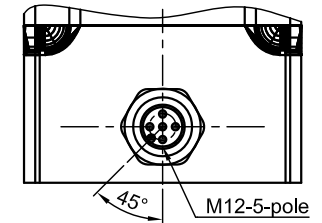
Side view



Rear view

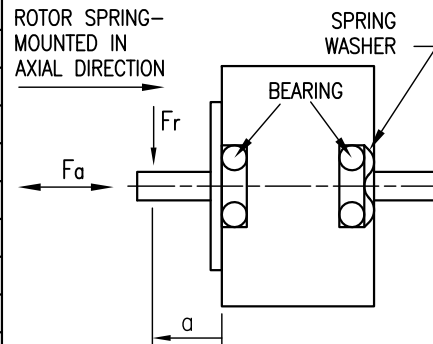


Y view



SPECIFICATION	CONNECTION	BIPOLAR PARALLEL
VOLTAGE (VDC)		2.1
AMPS/PHASE		4.2
RESISTANCE/PHASE (Ohms)@25°C		0.5±10%
INDUCTANCE/PHASE (mH) @1KHz		1.9±20%
HOLDING TORQUE (Nm) [lb-in]		1.98 [17.52]
DETENT TORQUE (Nm) [lb-in]		0.068 [0.602]
STEP ANGLE (°) ± ACCURACY		1.8±5% (NON-ACCUM)
BACK-EMF (V) (300 U/min)		20
ROTOR INERTIA (Kg-m ²) [lb-in ²]		4.8x10 ⁻⁵ [0.164]
WEIGHT (Kg) [lb]		1.14 [2.508]
TEMPERATURE RISE: MAX.80°C (MOTOR STANDSTILL; FOR 2 PHASE ENERGIZED)		
AMBIENT TEMPERATURE -10~ 50°C [14°F ~ 122°F]		
INSULATION RESISTANCE 100 MOhm (UNDER NORMAL TEMPERATURE AND HUMIDITY)		
INSULATION CLASS B 130° [266°F]		
DIELECTRIC STRENGTH 500VAC FOR 1 MIN. (BETWEEN THE MOTOR COILS AND THE MOTOR CASE)		
AMBIENT HUMIDITY MAX. 85% (NO CONDENSATION)		

PERMISSIBLE RADIAL+AXIAL FORCE



	AXIAL-FORCE Fa (N)	Fa=15			
DISTANCE a (mm)		5	10	15	20
RADIAL-FORCE Fr (N)		130	90	70	52
		AXIAL	RADIAL		
SHAFT PLAY (mm)		0.08	0.02		
AT LOAD MAX: (N)		4.5	4.5		

CABLE MOTOR:
ZK-M12-5-2m(5m)
STRAIGHT OR 90°
ANGELED

M12-5 pole Motor	
NO.	ASSIGNMENT
1	A\
2	A
3	B
4	B\
5	HOUSING

FULL STEP 2 PHASE-Ex.,
WHEN FACING MOUNTING END (X)

STEP	A	B	A\	B\	
1	+	+	-	-	↓ CCW ↑ CW
2	-	+	+	-	
3	-	-	+	+	
4	+	-	-	+	

3	WIRE COLOUR DELETE	29.09.09	J.W.
2	CONNECTOR NAME	06.07.09	J.W.
4	RESTRICTION SUPPLEMENTED	17.02.10	J.W.
REV	DESCRIPTION	DATE	APVD



AS5918L4204

SCALE	FREE	APVD	S.R.	12.12.08
X	±0.5	CHKD		
1PL	±0.2	DRN	J.W.	12.12.08
2PL	±0.1	SIGNATURE		DATE
ANGLE	±30'			

STEPPER MOTOR IN PROTECTION

DWG.NO
AS5918L4204