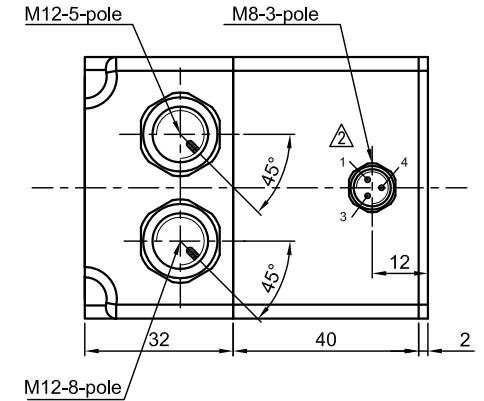
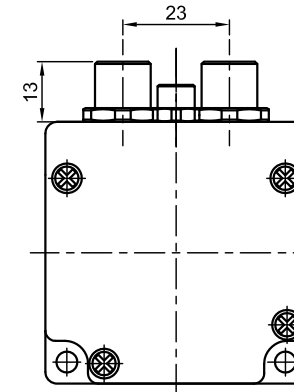
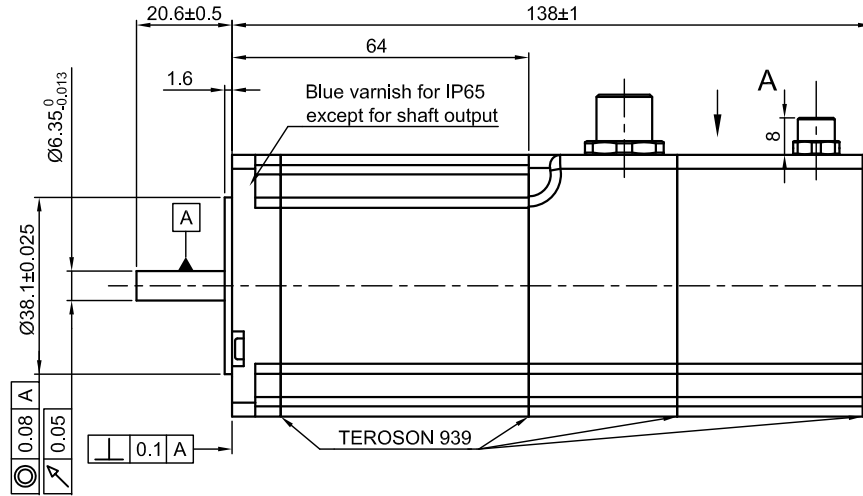
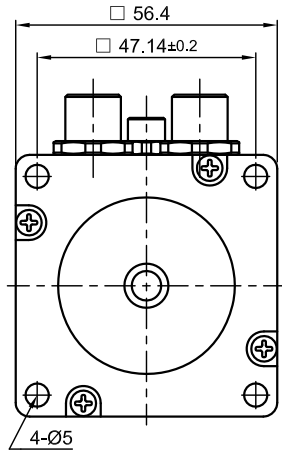


Front view and mounting

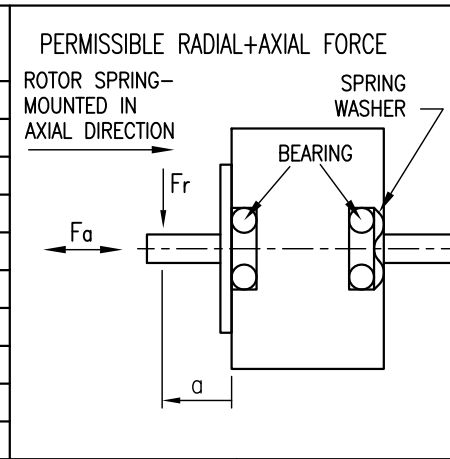
Side view

Rear view

Top view A



SPECIFICATION	CONNECTION	BIPOLAR PARALLEL
VOLTAGE (VDC)		2.1
AMPS/PHASE		4.2
RESISTANCE/PHASE (Ohms)@25°C		0.5±10%
INDUCTANCE/PHASE (mH) @1KHz		1.9±20%
HOLDING TORQUE (Nm) [lb-in]		1.98 [17.52]
DETENT TORQUE (Nm) [lb-in]		0.068 [0.602]
STEP ANGLE (°) ± ACCURACY		1.8±5% (NON-ACCUM)
BACK-EMF (V) (300 U/min)		20
ROTOR INERTIA (Kg-m <sup>2</sup> ) [lb-in <sup>2</sup> ]		4.8x10 <sup>-5</sup> [0.164]
WEIGHT (Kg) [lb]		1.33 [2.93]



MOTOR M12-5	
Pin	Assignment
1	A\ $\Delta$
2	A
3	B
4	B\ $\Delta$
5	HOUSING

ENCODER M12-8	
Pin	Assignment
1	A
2	A\ $\Delta$
3	B
4	B\ $\Delta$
5	GND
6	$\Delta$ $\Delta$
7	$\Delta$ $\Delta$
8	Vcc (5V)

BRAKE M8-3 $\Delta$	
Pin	Assignment
1	Brake
3	Brake/GND
4	NC

TEMPERATURE RISE: MAX.80°C (MOTOR STANDSTILL; FOR 2 PHASE ENERGIZED)	
AMBIENT TEMPERATURE -10~ 50°C [14°F ~ 122°F]	
INSULATION RESISTANCE 100 MOhm (UNDER NORMAL TEMPERATURE AND HUMIDITY)	
INSULATION CLASS B 130° [266°F]	
DIELECTRIC STRENGTH 500VAC FOR 1 MIN. (BETWEEN THE MOTOR COILS AND THE MOTOR CASE)	
AMBIENT HUMIDITY MAX. 85% (NO CONDENSATION)	

	AXIAL-FORCE Fa (N)	Fa=15			
DISTANCE a (mm)		5	10	15	20
RADIAL-FORCE Fr (N)		130	90	70	52
		AXIAL	RADIAL		
SHAFT PLAY (mm)		0.08	0.02		
AT LOAD MAX: (N)		4.5	4.5		

FULL STEP 2 PHASE-Ex., WHEN FACING MOUNTING END (X)

STEP	A	B	A\ $\Delta$	B\ $\Delta$	
1	+	+	-	-	CCW ↓ CW
2	-	+	+	-	
3	-	-	+	+	
4	+	-	-	+	

3	PIN 1 AND 1\ INTERCHANGED	15.03.11	J.W.
2	ADD M8-3 M12-8, CANCEL M12-12	07.12.10	GYQ
1	MOTOR ASSIGNMENT	16.11.10	GYQ
REV	DESCRIPTION	DATE	APVD



AS5918L4204-EB

SCALE	FREE	APVD	
X	±0.5	CHKD	ZYL
1PL	±0.2	DRN	GYQ
2PL	±0.1		
ANGLE	±30'	SIGNATURE	DATE

STEPPER MOTOR IN PROTECTION

DWG.NO

AS5918L4204-EB