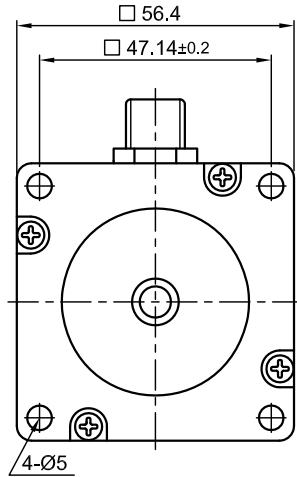
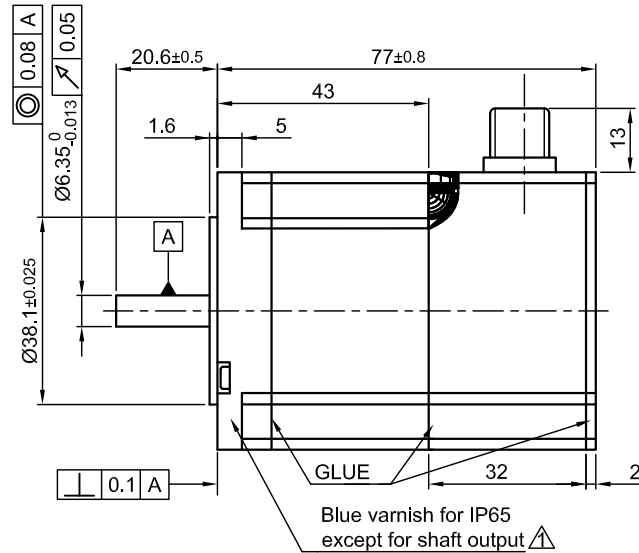


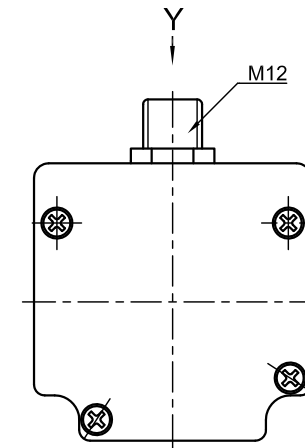
Front view and mounting



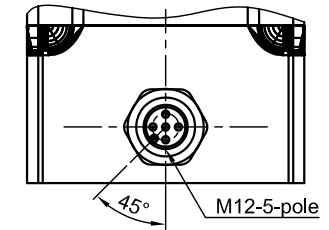
Side view



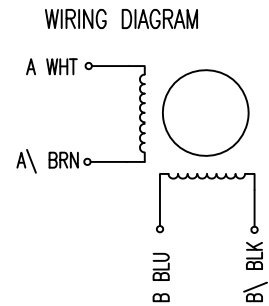
Rear view



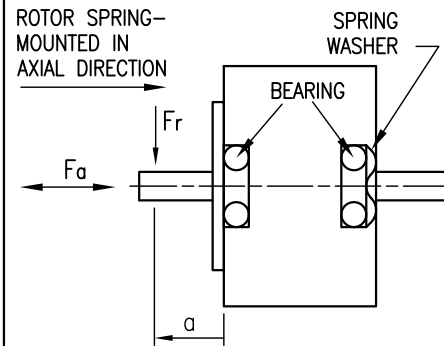
Y view



SPECIFICATION	CONNECTION	BIPOLAR PARALLEL
VOLTAGE (VDC)		2.4
AMPS/PHASE		2.82
RESISTANCE/PHASE (Ohms)@25°C		0.85±10%
INDUCTANCE/PHASE (mH) @1KHz		3.6±20%
HOLDING TORQUE (Nm) [lb-in]		1.05 [9.29]
DETENT TORQUE (Nm) [lb-in]		0.04 [0.354]
STEP ANGLE (°) ± ACCURACY		1.8±5% (NON-ACCUM)
BACK-EMF (V) (300 U/min)		19.5
ROTOR INERTIA (Kg-m ²) [lb-in ²]		3.0x10 ⁻⁵ [0.102]
WEIGHT (Kg) [lb]		0.85 [1.88]



PERMISSIBLE RADIAL+AXIAL FORCE



CABLE MOTOR:
ZK-M12-5-2m(5m)
STRAIGHT OR 90°
ANGELED

NO.	ASSIGNMENT
1	A\
2	A
3	B
4	B\
5	HOUSING

FULL STEP 2 PHASE-Ex.,
WHEN FACING MOUNTING END (X)

STEP	A	B	A\	B\	CCW
1	+	+	-	-	
2	-	+	+	-	
3	-	-	+	+	
4	+	-	-	+	

TEMPERATURE RISE: MAX.80°C (MOTOR STANDSTILL; FOR 2 PHASE ENERGIZED)	AXIAL-FORCE Fa (N)	Fa=15			
AMBIENT TEMPERATURE -10~ 50°C [14°F ~ 122°F]	DISTANCE a (mm)	5	10	15	20
INSULATION RESISTANCE 100 MOhm (UNDER NORMAL TEMPERATURE AND HUMIDITY)	RADIAL-FORCE Fr (N)	130	90	70	52
INSULATION CLASS B 130° [266°F]		AXIAL		RADIAL	
DIELECTRIC STRENGTH 500VAC FOR 1 MIN. (BETWEEN THE MOTOR COILS AND THE MOTOR CASE)	SHAFT PLAY (mm)	0.08		0.02	
AMBIENT HUMIDITY MAX. 85% (NO CONDENSATION)	AT LOAD MAX: (N)	4.5		4.5	

				SCALE FREE	APVD	<i>S.Ha.</i>	09.11.09	STEPPER MOTOR IN PROTECTION	
1	RESTRICTION SUPPLEMENTED			17.02.10	J.W.	X ±0.5	CHKD		
REV	DESCRIPTION	DATE	APVD	AS5918M2804	1PL ±0.2	DRN	<i>J.W.</i>	09.11.09	DWG.NO
					2PL ±0.1	SIGNATURE	DATE		AS5918M2804
					ANGLE ±30'				