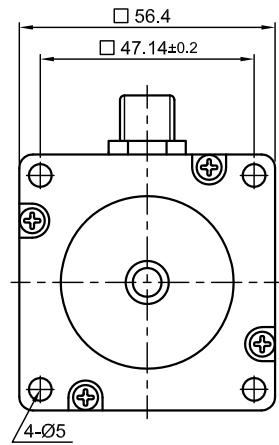
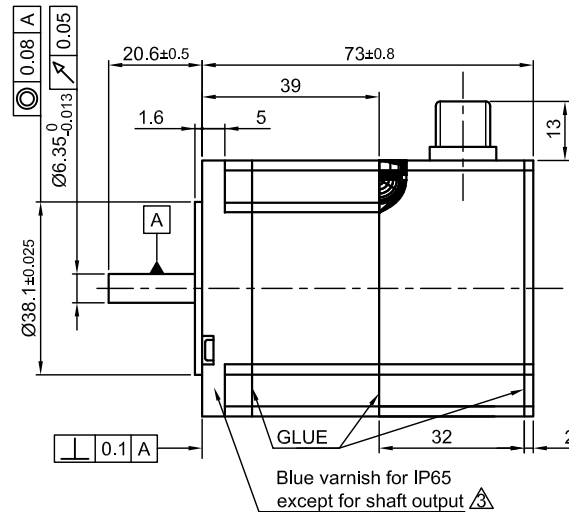


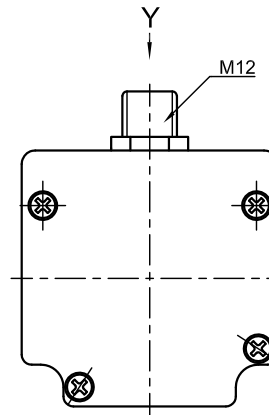
Front view and mounting



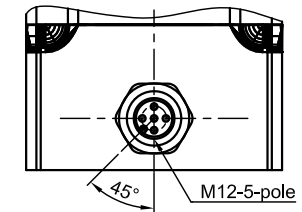
Side view



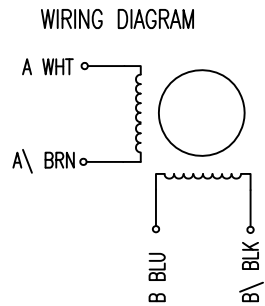
Rear view



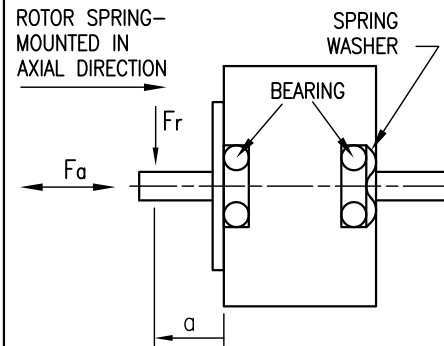
Y view



SPECIFICATION	CONNECTION	BIPOLAR PARALLEL
VOLTAGE (VDC)		2.12
AMPS/PHASE		2.83
RESISTANCE/PHASE (Ohms)@25°C		0.75±10%
INDUCTANCE/PHASE (mH) @1KHz		2.6±20%
HOLDING TORQUE (Nm) [lb-in]		0.85 [7.52]
DETENT TORQUE (Nm) [lb-in]		0.028 [0.244]
STEP ANGLE (°) ± ACCURACY		1.8±5% (NON-ACCUM)
BACK-EMF (V) (300 U/min)		8.7
ROTOR INERTIA (Kg-m <sup>2</sup> ) [lb-in <sup>2</sup> ]		2.3x10 <sup>-5</sup> [0.079]
WEIGHT (Kg) [lb]		0.8 [1.77]



PERMISSIBLE RADIAL+AXIAL FORCE



CABLE MOTOR:  
ZK-M12-5-2m(5m)  
STRAIGHT OR 90°  
ANGELED

M12-5 pole Motor	
NO.	ASSIGNMENT
1	A\
2	A
3	B
4	B\
5	HOUSING

FULL STEP 2 PHASE-Ex.,  
WHEN FACING MOUNTING END (X)

STEP	A	B	A\	B\	CCW	CW
1	+	+	-	-	↓	↑
2	-	+	+	-	↓	↑
3	-	-	+	+	↓	↑
4	+	-	-	+	↓	↑

TEMPERATURE RISE: MAX.80°C (MOTOR STANDSTILL; FOR 2 PHASE ENERGIZED)	AXIAL-FORCE Fa (N)	Fa=15			
AMBIENT TEMPERATURE -10~ 50°C [14°F ~ 122°F]	DISTANCE a (mm)	5	10	15	20
INSULATION RESISTANCE 100 MOhm (UNDER NORMAL TEMPERATURE AND HUMIDITY)	RADIAL-FORCE Fr (N)	130	90	70	52
INSULATION CLASS B 130° [266°F]		AXIAL	RADIAL		
DIELECTRIC STRENGTH 500VAC FOR 1 MIN. (BETWEEN THE MOTOR COILS AND THE MOTOR CASE)	SHAFT PLAY (mm)	0.08	0.02		
AMBIENT HUMIDITY MAX. 85% (NO CONDENSATION)	AT LOAD MAX: (N)	4.5	4.5		

3	RESTRICTION SUPPLEMENTED	17.02.10	J.W.
2	WIRE COLOUR DELETE	30.09.09	J.W.
1	CONNECTOR NAME	06.07.09	J.W.
REV	DESCRIPTION	DATE	APVD



AS5918S2804

SCALE FREE	APVD	S.H.	14.08.08
X ±0.5	CHKD		
1PL ±0.2	DRN	J.W.	14.08.08
2PL ±0.1	SIGNATURE	DATE	
ANGLE ±30'			

**STEPPER MOTOR IN PROTECTION**  
DWG.NO AS5918S2804