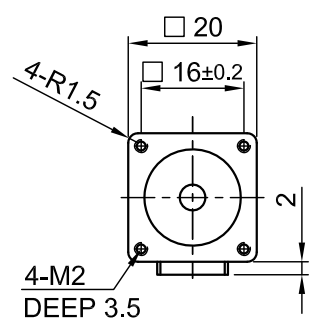
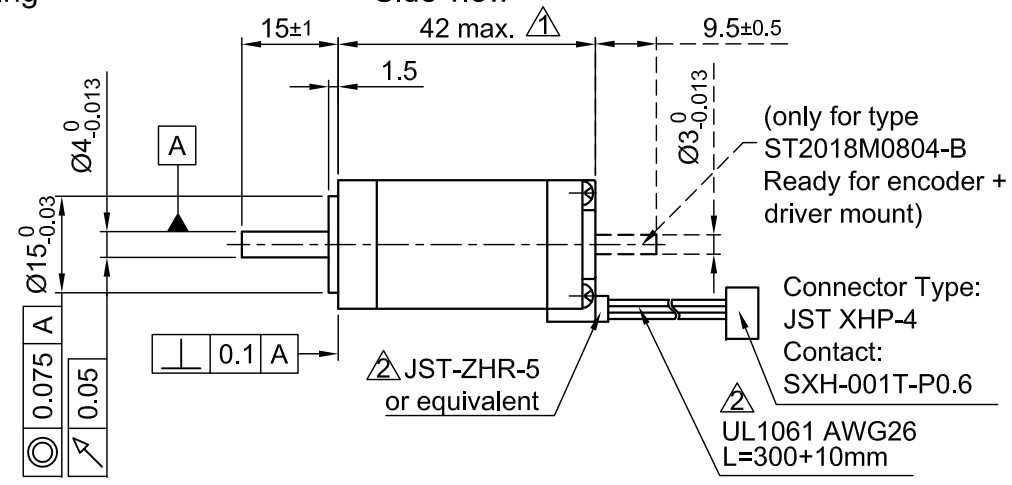


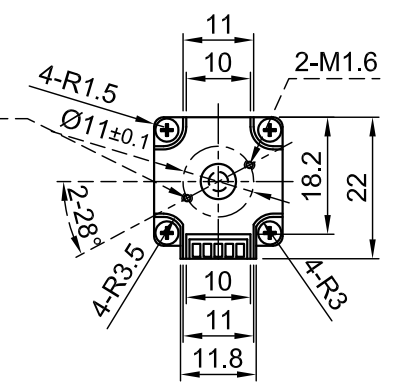
Front view and mounting



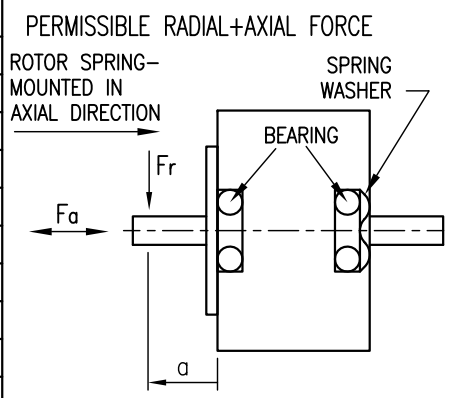
Side view



Rear view



SPECIFICATION	BIPOLAR
VOLTAGE (VDC)	4.3
AMPS/PHASE	0.8
RESISTANCE/PHASE (Ohms)@25°C	5.4±15%
INDUCTANCE/PHASE (mH) @1KHz	1.5±20%
HOLDING TORQUE (Nm) [lb-in]	0.03 [0.265]
DETENT TORQUE (Nm) [lb-in]	1.5x10 ⁻³ [0.013]
STEP ANGLE (°)	1.8
STEP ACCURACY (NON-ACCUM)	±5%
ROTOR INERTIA (Kg-m ²) [lb-in ²]	2.0x10 ⁻⁷ [6.831x10 ⁻⁴]
WEIGHT (Kg) [lb]	0.08 [0.176]
TEMPERATURE RISE: MAX.80°C (MOTOR STANDSTILL; FOR 2 PHASE ENERGIZED)	
AMBIENT TEMPERATURE -10°~ 50°C [14°F ~ 122°F]	
INSULATION RESISTANCE 100 MOhm (UNDER NORMAL TEMPERATURE AND HUMIDITY)	
INSULATION CLASS B 130° [266°F]	
DIELECTRIC STRENGTH 500VAC FOR 1 MIN. (BETWEEN THE MOTOR COILS AND THE MOTOR CASE)	
AMBIENT HUMIDITY MAX. 85% (NO CONDENSATION)	

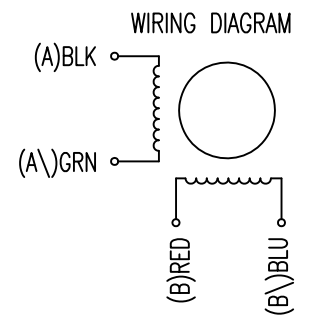


AXIAL-FORCE Fa (N)	Fa=4			
DISTANCE a (mm)	5	10	15	20
RADIAL-FORCE Fr (N)	30	18	14	8
	AXIAL	RADIAL		
SHAFT PLAY (mm)	0.075	0.025		
AT LOAD MAX: (N)	10	5.0		

TYPE OF CONNECTION (EXTERN)	MOTOR			
	BIPOLAR	CONNECTOR PIN NO.	LEADS	WINDING
A —	1	BLK	A	
A\ —	2	GRN	A\	
B —	3	RED	B	
B\ —	4	BLU	B\	

FULL STEP 2 PHASE-Ex., WHEN FACING MOUNTING END (X)

STEP	A	B	A\	B\	CCW	CW
1	+	+	-	-	↓	↑
2	-	+	+	-	↓	↑
3	-	-	+	+	↓	↑
4	+	-	-	+	↓	↑



2	CONNECTOR TYPE+NEW UL NO.	09.01.09	J.W.		SCALE FREE	APVD	S.K.	02.06.06	STEPPING MOTOR
1	MOTOR LENGTH	12.03.08	J.W.		X ±0.5	CHKD			
REV	DESCRIPTION	DATE	APVD	ST2018M0804	1PL ±0.2	DRN	J.W.	02.06.06	DWG.NO
					2PL ±0.1	SIGNATURE			ST2018M0804
					ANGLE ±30'				