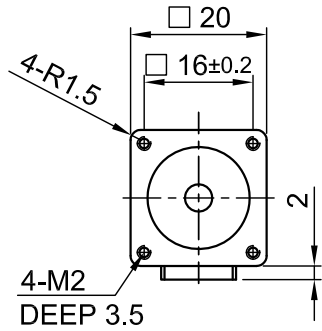
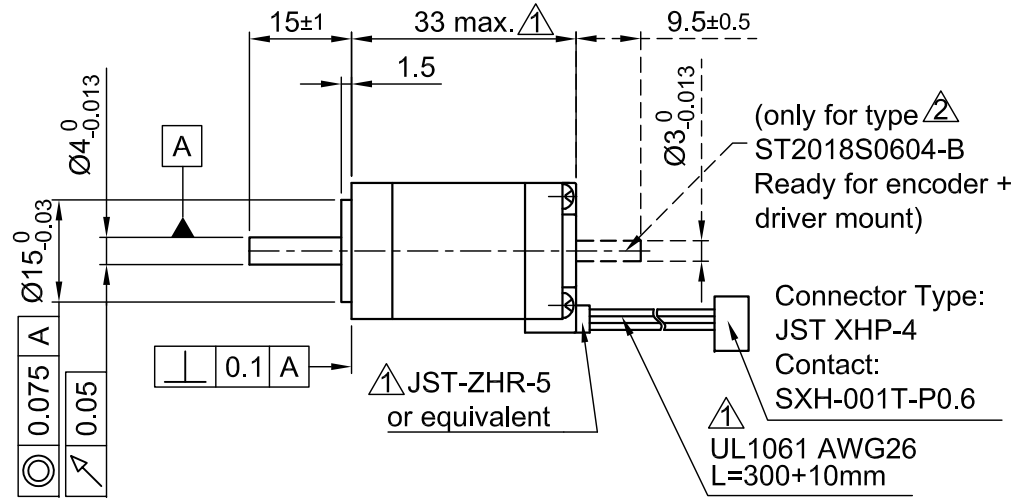


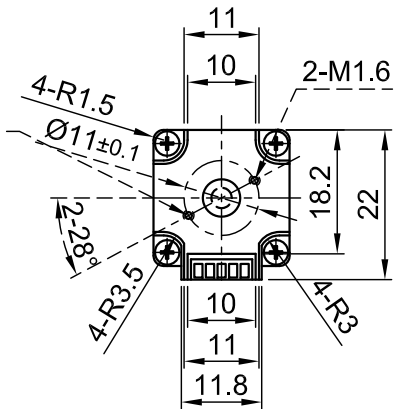
Front view and mounting



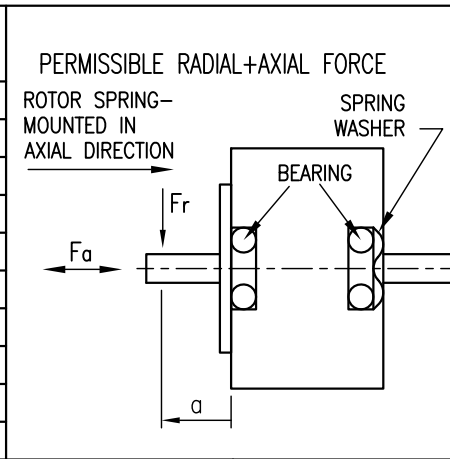
Side view



Rear view



SPECIFICATION	CONNECTION	BIPOLAR
VOLTAGE (VDC)		3.9
AMPS/PHASE		0.6
RESISTANCE/PHASE (Ohms)@25°C		6.5±15%
INDUCTANCE/PHASE (mH) @1KHz		1.7±20%
HOLDING TORQUE (Nm) [lb-in]		0.018 [0.159]
DETENT TORQUE (Nm) [lb-in]		9x10 ⁻⁴ [7.95x10 ⁻³]
STEP ANGLE (°)+ ACCURACY		1.8±5%
BACK-EMF (V) (300 U/min)		0.52 min.
ROTOR INERTIA (Kg-m ²) [lb-in ²]		2.0x10 ⁻⁷ [6.831x10 ⁻⁴]
WEIGHT (Kg) [lb]		0.06 [0.132]

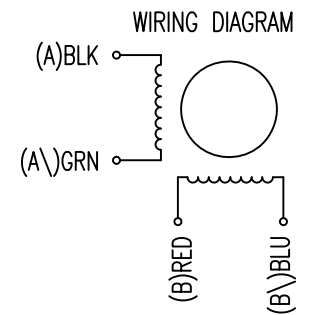


TYPE OF CONNECTION (EXTERN)	MOTOR			
	BIPOLAR	CONNECTOR PIN NO.	LEADS	WINDING
A —	1	BLK	A	
A\ —	2	GRN	A\	
B —	3	RED	B	
B\ —	4	BLU	B\	

TEMPERATURE RISE: MAX.80°C (MOTOR STANDSTILL; FOR 2 PHASE ENERGIZED)		AXIAL-FORCE Fa (N)	Fa=4			
AMBIENT TEMPERATURE -10~ 50°C [14°F ~ 122°F]		DISTANCE a (mm)	5	10	15	20
INSULATION RESISTANCE 100 MOhm (UNDER NORMAL TEMPERATURE AND HUMIDITY)		RADIAL-FORCE Fr (N)	30	18	14	8
INSULATION CLASS B 130° [266°F]			AXIAL		RADIAL	
DIELECTRIC STRENGTH 500VAC FOR 1 MIN. (BETWEEN THE MOTOR COILS AND THE MOTOR CASE)		SHAFT PLAY (mm)	0.075		0.025	
AMBIENT HUMIDITY MAX. 85% (NO CONDENSATION)		AT LOAD MAX: (N)	10		5.0	

FULL STEP 2 PHASE-Ex., WHEN FACING MOUNTING END (X)

STEP	A	B	A\	B\	CCW	CW
1	+	+	-	-	↓	↑
2	-	+	+	-	↓	↑
3	-	-	+	+	↓	↑
4	+	-	-	+	↓	↑



3	BACK-EMF SUPPLEMENTED	28.06.11	J.W.
2	ARTIKLE NO. FOR MOTOR WITH B-SHAFT	30.06.09	J.W.
1	CONNECTOR TYPE+UL NO.+LENGTH	08.01.09	J.W.
REV	DESCRIPTION	DATE	APVD



ST2018S0604

SCALE FREE	APVD	S.K.	02.06.06
X ±0.5	CHKD		
1PL ±0.2	DRN	J.W.	02.06.06
2PL ±0.1	SIGNATURE	DATE	
ANGLE ±30'			

STEPPING MOTOR

DWG.NO

ST2018S0604