

# HIGH TORQUE HYBRID STEPPING MOTOR SPECIFICATIONS

General specifications		Electrical specifications	
Step Angle	1.8Deg±5%	Rated Voltage	4.4V
Number of phase	4	Rate Current	0.95A
Insulation resistance	100Mohm Min.(500V DC)	Resistance per phase	4.6±10%ohm
Insulation class	Class B	Inductance per phase	1.8±20%mh
Rotor inertia	18g.cm <sup>2</sup>	Holding torque	900g.cm
Weight	0.2kg	Detent torque	g.cm

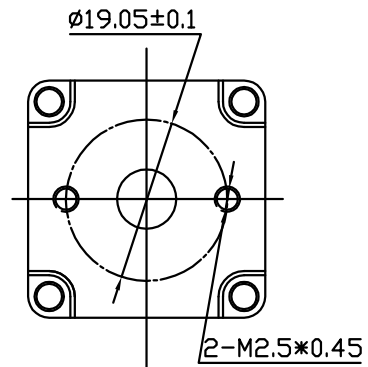
Wiring Diagram

See from rear shaft

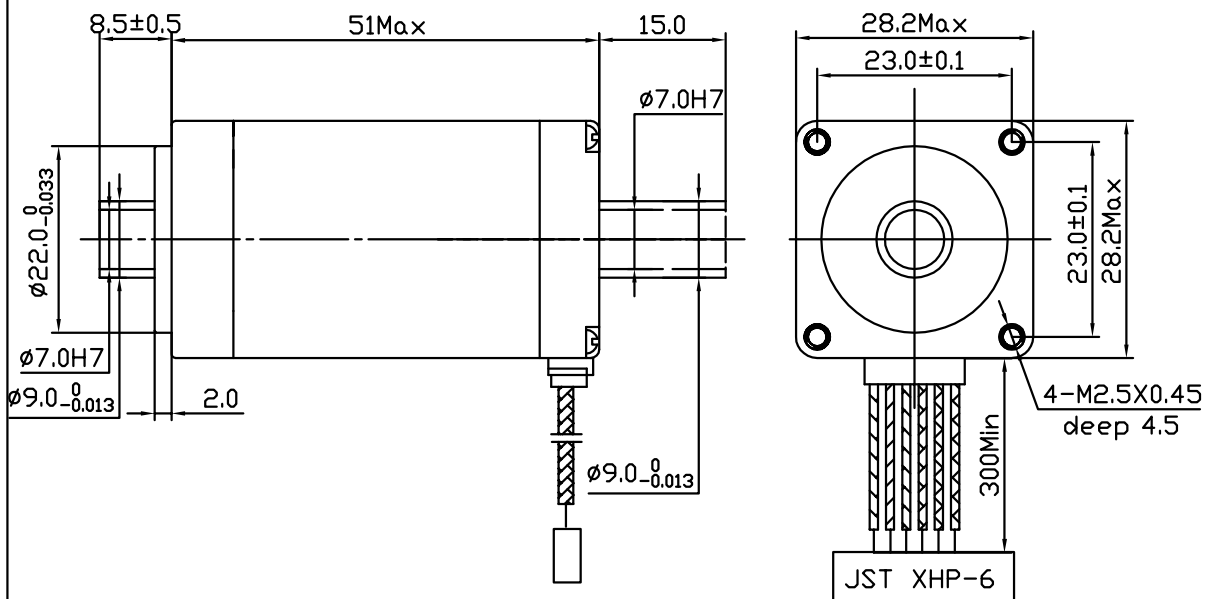
black A  
yellow O  
green C



PIN#	LEADERS
1	BLACK
2	RED
3	GREEN
4	BLUE
5	YELLOW
6	WHITE



Dimension:



REV	QTY	NO.	SIG.	DT.
DESIGN				
CHECK				
APPROVE				

TITLE:  
**ST2818L1006-LA**  
**SPECIFICATION**

**Nanotec**