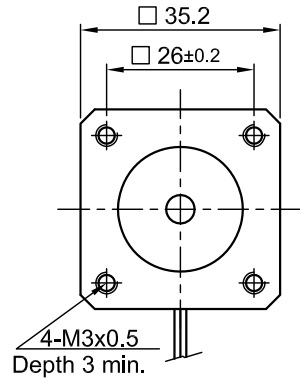
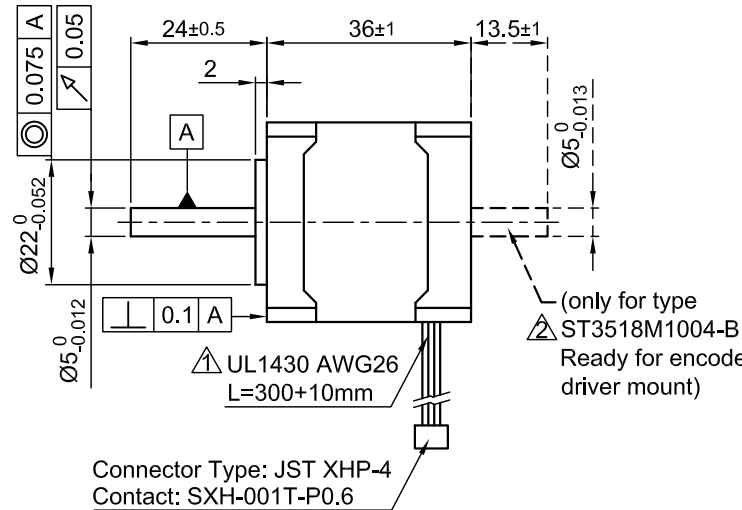


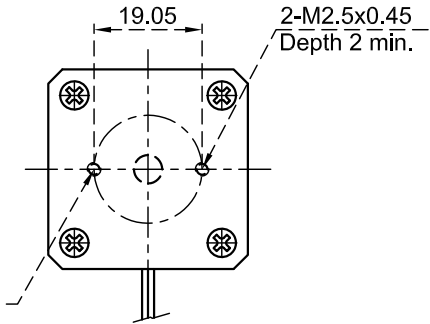
Front view and mounting



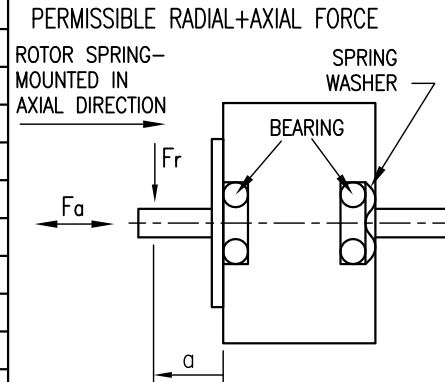
Side view



Rear view



SPECIFICATION	BIPOLAR
VOLTAGE (VDC)	2.7
AMPS/PHASE	1.0
RESISTANCE/PHASE (Ohms)@25°C	2.7±15%
INDUCTANCE/PHASE (mH) @1KHz	4.3±20%
HOLDING TORQUE (Nm) [lb-in]	0.14 [1.239]
DETENT TORQUE (Nm) [lb-in]	7x10 ⁻³ [0.062]
STEP ANGLE (°)+ ACCURACY	1.8±5%
BACK-EMF (V) (300 U/min)	3.0 min.
ROTOR INERTIA (Kg-m ²) [lb-in ²]	1.4x10 ⁻⁶ [0.0048]
WEIGHT (Kg) [lb]	0.18 [0.4]

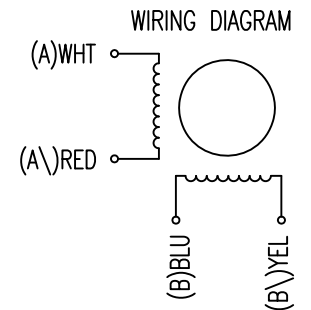


TEMPERATURE RISE: MAX.80°C (MOTOR STANDSTILL; FOR 2 PHASE ENERGIZED)	AXIAL-FORCE Fa (N)	Fa=10			
AMBIENT TEMPERATURE -10°~ 50°C [14°F ~ 122°F]	DISTANCE a (mm)	5	10	15	20
INSULATION RESISTANCE 100 MOhm (UNDER NORMAL TEMPERATURE AND HUMIDITY)	RADIAL-FORCE Fr (N)	58	36	26	20
INSULATION CLASS B 130° [266°F]		AXIAL		RADIAL	
DIELECTRIC STRENGTH 500VAC FOR 1 MIN. (BETWEEN THE MOTOR COILS AND THE MOTOR CASE)	SHAFT PLAY (mm)	0.08		0.02	
AMBIENT HUMIDITY MAX. 85% (NO CONDENSATION)	AT LOAD MAX: (N)	4.5		4.5	

TYPE OF CONNECTION (EXTERN)	MOTOR			
	BIPOLAR	CONNECTOR PIN NO.	LEADS	WINDING
A —	1	WHT	A	
A\ —	2	RED	A\	
B —	3	BLU	B	
B\ —	4	YEL	B\	

FULL STEP 2 PHASE-Ex., WHEN FACING MOUNTING END (X)

STEP	A	B	A\	B\	CCW	CW
1	+	+	-	-	↓	↑
2	-	+	+	-	↓	↑
3	-	-	+	+	↓	↑
4	+	-	-	+	↓	↑



3	BACK-EMF ADD.	03.07.11	J.W.
2	ITEM NUMBER MISTYPE	16.02.10	J.W.
1	UL NO.	05.03.09	J.W.
REV	DESCRIPTION	DATE	APVD



ST3518M1004

SCALE FREE	APVD	S.Ha.	08.12.08
X ±0.5	CHKD		
1PL ±0.2	DRN	J.W.	08.12.08
2PL ±0.1	SIGNATURE	DATE	
ANGLE ±30'			

STEPPING MOTOR

DWG.NO

ST3518M1004