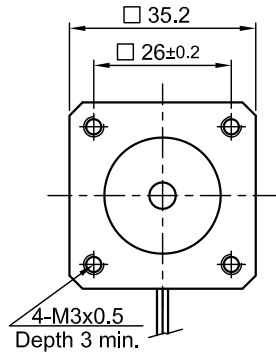
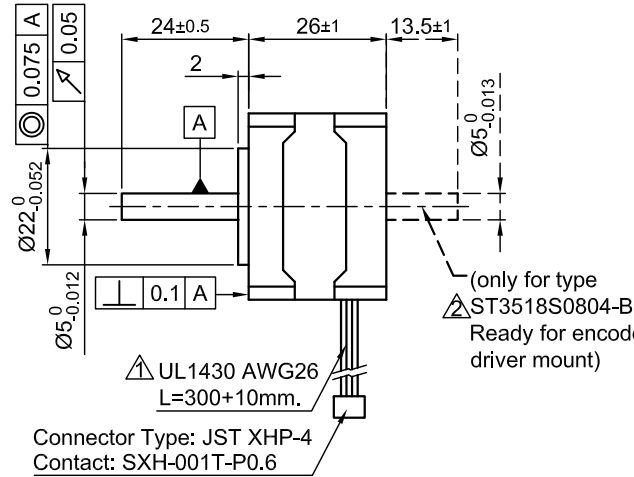


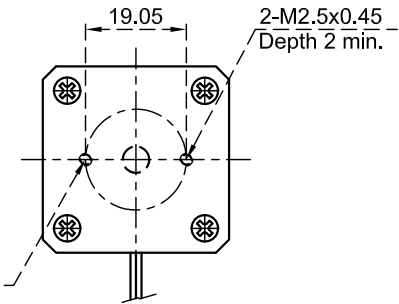
Front view and mounting



Side view

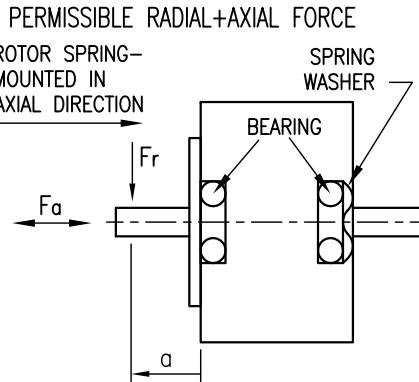


Rear view



CONNECTION	BIPOLAR
SPECIFICATION	
VOLTAGE (VDC)	3.2
AMPS/PHASE	0.8
RESISTANCE/PHASE (Ohms)@25°C	4.0±15%
INDUCTANCE/PHASE (mH) @1KHz	2.3±20%
HOLDING TORQUE (Nm) [lb-in]	0.051 [0.451]
DETENT TORQUE (Nm) [lb-in]	2.55x10 ⁻³ [0.023]
STEP ANGLE (°)	1.8
STEP ACCURACY (NON-ACCUM)	±5%
ROTOR INERTIA (Kg-m ²) [lb-in ²]	1.0x10 ⁻⁶ [0.0034]
WEIGHT (Kg) [lb]	0.15 [0.331]
TEMPERATURE RISE: MAX.80°C (MOTOR STANDSTILL; FOR 2 PHASE ENERGIZED)	
AMBIENT TEMPERATURE -10°~ 50°C [14°F ~ 122°F]	
INSULATION RESISTANCE 100 MOhm (UNDER NORMAL TEMPERATURE AND HUMIDITY)	
INSULATION CLASS B 130° [266°F]	
DIELECTRIC STRENGTH 500VAC FOR 1 MIN. (BETWEEN THE MOTOR COILS AND THE MOTOR CASE)	
AMBIENT HUMIDITY MAX. 85% (NO CONDENSATION)	

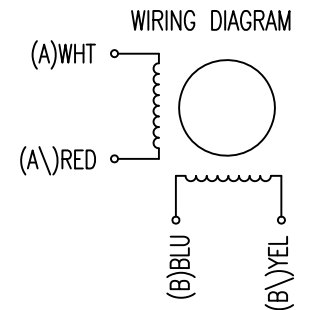
PERMISSIBLE RADIAL+AXIAL FORCE	
ROTOR SPRING-MOUNTED IN AXIAL DIRECTION	
AXIAL-FORCE F_a (N)	$F_a=10$
DISTANCE a (mm)	5 10 15 20
RADIAL-FORCE F_r (N)	58 36 26 20
	AXIAL RADIAL
SHAFT PLAY (mm)	0.08 0.02
AT LOAD MAX: (N)	4.5 4.5



TYPE OF CONNECTION (EXTERN)	MOTOR		
	CONNECTOR PIN NO.	LEADS	WINDING
A —	1	WHT	A
A\ —	2	RED	A\
B —	3	BLU	B
B\ —	4	YEL	B\

FULL STEP 2 PHASE-Ex., WHEN FACING MOUNTING END (X)

STEP	A	B	A\	B\	
1	+	+	-	-	CCW
2	-	+	+	-	
3	-	-	+	+	
4	+	-	-	+	CW



2	ITEM NUMBER MISTYPE	16.02.10	J.W.
1	UL NO.	05.03.09	J.W.
REV	DESCRIPTION	DATE	APVD



ST3518S0804

SCALE FREE	APVD	S.Ha.	08.12.08
X ±0.5	CHKD		
1PL ±0.2	DRN	J.W.	08.12.08
2PL ±0.1	SIGNATURE	DATE	
ANGLE ±30'			

STEPPING MOTOR

DWG.NO

ST3518S0804