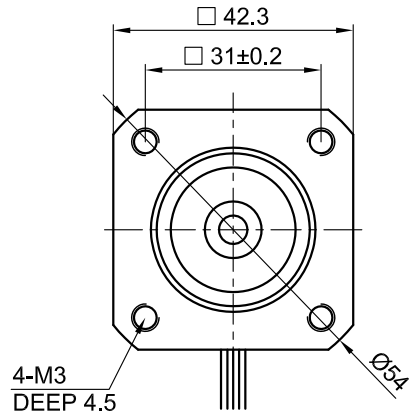
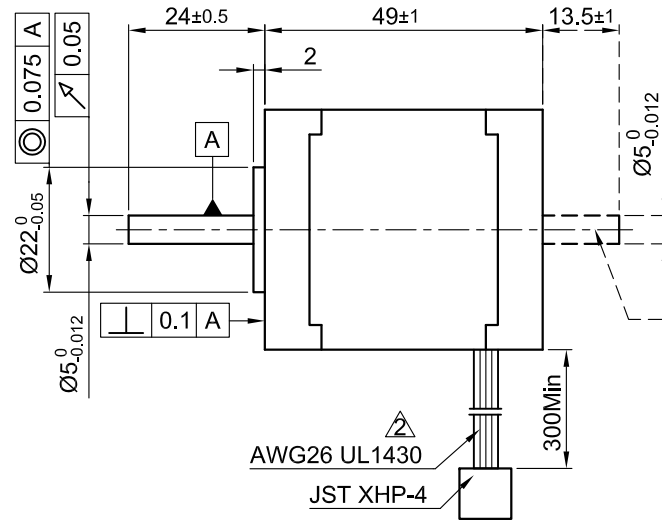


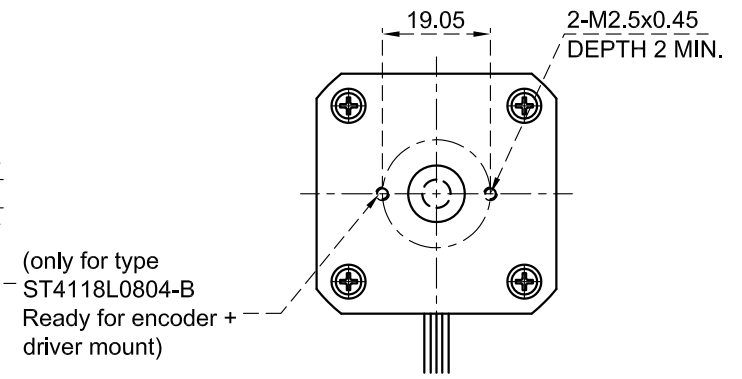
Front view and mounting



Side view

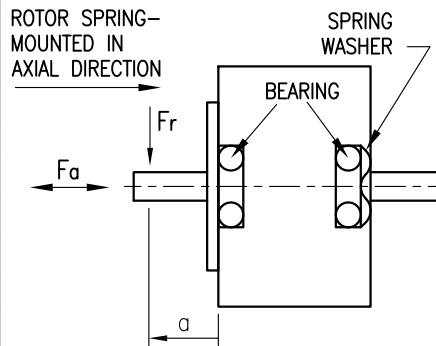


Rear view



SPECIFICATION	CONNECTION	BIPOLAR
VOLTAGE (VDC)		7.4
AMPS/PHASE		0.8
RESISTANCE/PHASE (Ohms)@25°C		9.3±15%
INDUCTANCE/PHASE (mH) @1KHz		17±20%
HOLDING TORQUE (Nm) [lb-in]		0.5 [4.425]
DETENT TORQUE (Nm) [lb-in]		1.37x10 ⁻² [0.1212]
STEP ANGLE (°)+ ACCURACY		1.8±5%
BACK-EMF (V) (300 U/min)		16
ROTOR INERTIA (Kg-m ²) [lb-in ²]		8.27x10 ⁻⁶ [2.8x10 ⁻²]
WEIGHT (Kg) [lb]		0.34 [0.75]

PERMISSIBLE RADIAL+AXIAL FORCE

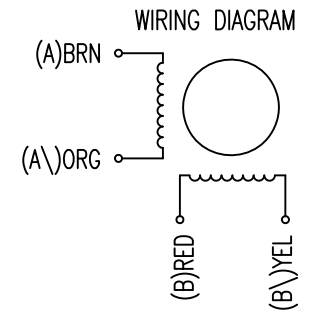


TEMPERATURE RISE: MAX.80°C (MOTOR STANDSTILL; FOR 2 PHASE ENERGIZED)	AXIAL-FORCE Fa (N)	Fa=7			
AMBIENT TEMPERATURE -10~ 50°C [14°F ~ 122°F]	DISTANCE a (mm)	5	10	15	20
INSULATION RESISTANCE 100 MOhm (UNDER NORMAL TEMPERATURE AND HUMIDITY)	RADIAL-FORCE Fr (N)	58	36	26	20
INSULATION CLASS B 130° [266°F]		AXIAL		RADIAL	
DIELECTRIC STRENGTH 500VAC FOR 1 MIN. (BETWEEN THE MOTOR COILS AND THE MOTOR CASE)	SHAFT PLAY (mm)	0.08		0.02	
AMBIENT HUMIDITY MAX. 85% (NO CONDENSATION)	AT LOAD MAX: (N)	4.5		4.5	

PIN NO	TYPE OF CONNECTION (EXTERN)		MOTOR	
	BIPOLAR	LEADS	WINDING	
1	A —	BRN	A	[Circuit diagram showing two coils]
2	A\ —	ORG	A\	
3	B —	RED	B	[Circuit diagram showing two coils]
4	B\ —	YEL	B\	

FULL STEP 2 PHASE-Ex., WHEN FACING MOUNTING END (X)

STEP	A	B	A\	B\	CCW	CW
1	+	+	-	-	↓	↑
2	-	+	+	-	↓	↑
3	-	-	+	+	↓	↑
4	+	-	-	+	↓	↑



REV	DESCRIPTION	DATE	APVD
2	VALUE OF BACK-EMF+UL NO.	20.06.11	LB
1	MODIFIED INDUCTANCE	25.04.07	J.W.



ST4118L0804

SCALE	FREE	APVD	S.Ha.	26.02.07
X	±0.5	CHKD		
1PL	±0.2	DRN	J.W.	30.11.06
2PL	±0.1	SIGNATURE		DATE
ANGLE	±30'			

STEPPING MOTOR

DWG.NO

ST4118L0804