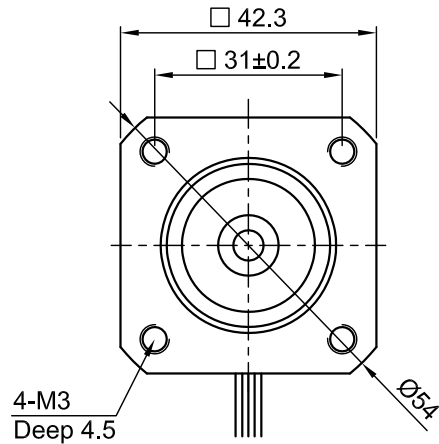
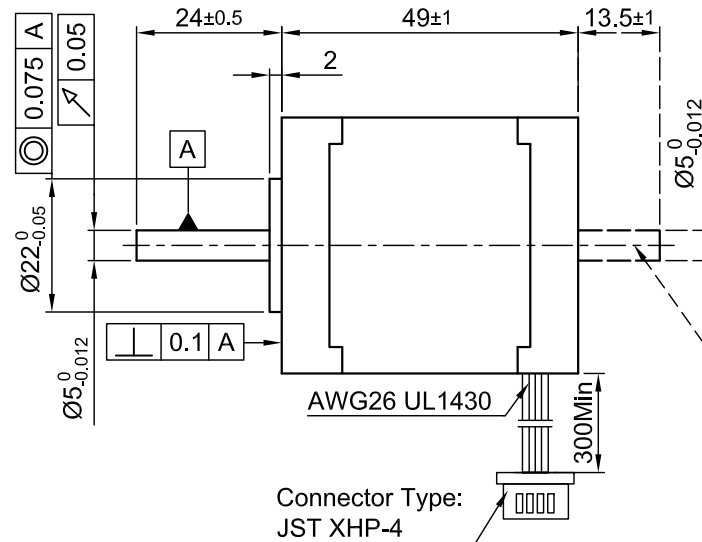


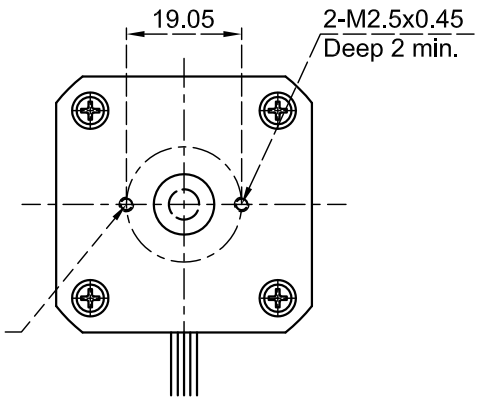
Front view and mounting



Side view



Rear view



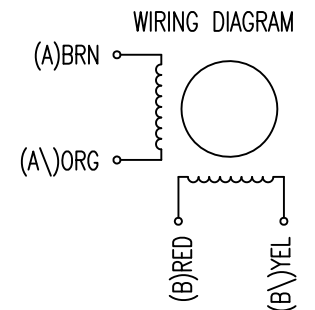
SPECIFICATION	BIPOLAR
VOLTAGE (VDC)	1.9
AMPS/PHASE	3.0
RESISTANCE/PHASE (Ohms)@25°C	0.63±15%
INDUCTANCE/PHASE (mH) @1KHz	1.03±20%
HOLDING TORQUE (Nm) [lb-in]	0.5 [4.43]
DETENT TORQUE (Nm) [lb-in]	2.2x10 ⁻² [0.2]
STEP ANGLE (°) ± ACCURACY	1.8±5% (NON-ACCUM)
BACK-EMF (V) (300 U/min)	4.4
ROTOR INERTIA (Kg-m ²) [lb-in ²]	8.2x10 ⁻⁶ [2.8x10 ⁻²]
WEIGHT (Kg) [lb]	0.34 [0.77]
TEMPERATURE RISE: MAX.80°C (MOTOR STANDSTILL; FOR 2 PHASE ENERGIZED)	
AMBIENT TEMPERATURE -10°~ 50°C [14°F ~ 122°F]	
INSULATION RESISTANCE 100 MOhm (UNDER NORMAL TEMPERATURE AND HUMIDITY)	
INSULATION CLASS B 130° [266°F]	
DIELECTRIC STRENGTH 500VAC FOR 1 MIN. (BETWEEN THE MOTOR COILS AND THE MOTOR CASE)	
AMBIENT HUMIDITY MAX. 85% (NO CONDENSATION)	

PERMISSIBLE RADIAL+AXIAL FORCE	
ROTOR SPRING-MOUNTED IN AXIAL DIRECTION	
AXIAL-FORCE Fa (N)	Fa=7
DISTANCE a (mm)	5 10 15 20
RADIAL-FORCE Fr (N)	58 36 26 20
	AXIAL RADIAL
SHAFT PLAY (mm)	0.08 0.02
AT LOAD MAX: (N)	4.5 4.5

PIN NO	TYPE OF CONNECTION (EXTERN)		MOTOR	
	BIPOLAR	LEADS	WINDING	
1	A —	BRN	A	
2	A\ —	ORG	A\	
3	B —	RED	B	
4	B\ —	YEL	B\	

FULL STEP 2 PHASE-Ex., WHEN FACING MOUNTING END (X)

STEP	A	B	A\	B\	CCW	CW
1	+	+	-	-	↓	↑
2	-	+	+	-	↓	↑
3	-	-	+	+	↓	↑
4	+	-	-	+	↓	↑



				 Nanotec [®] PLUG & DRIVE	SCALE FREE	APVD	<i>S.Ha.</i>	17.03.10	STEPPING MOTOR DWG.NO ST4118L3004
REV	DESCRIPTION	DATE	APVD		X ±0.5	CHKD			
				1PL ±0.2	DRN	<i>J.W.</i>	17.03.10		
				2PL ±0.1	SIGNATURE		DATE		
				ANGLE ±30'					