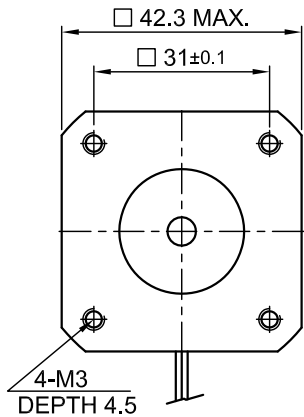
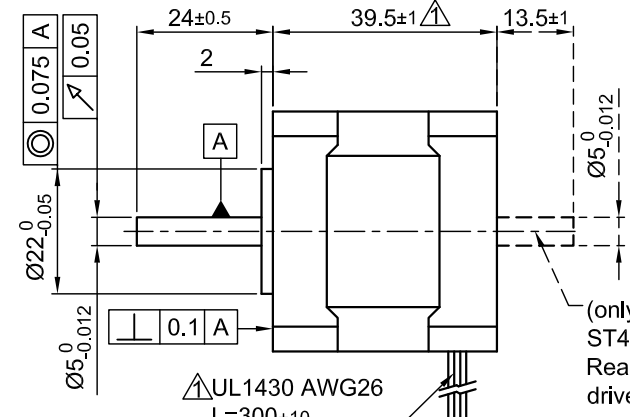


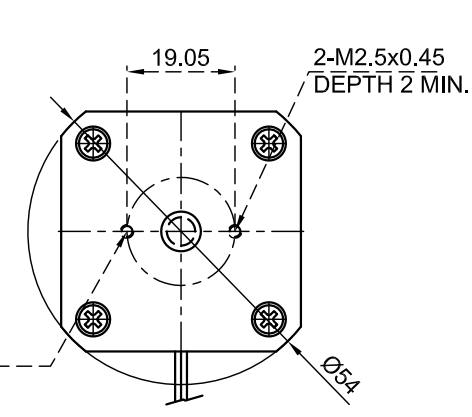
Front view and mounting



Side view

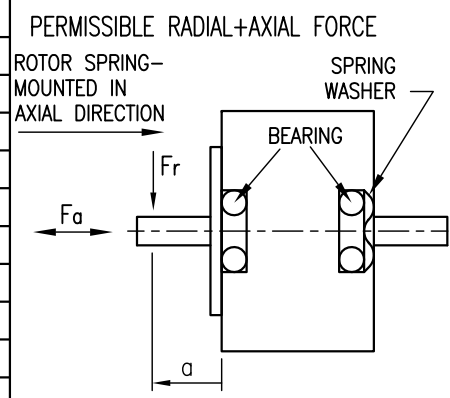


Rear view



Connector Type: JST XHP-6
Contact: SXH-001T-P0.6

SPECIFICATION	UNIPOLAR OR BIPOLAR-1 WINDING	BIPOLAR SERIAL
VOLTAGE (VDC)	3.96	5.61
AMPS/PHASE	1.2	0.85
RESISTANCE/PHASE (Ohms)@25°C	3.3±15%	6.6±15%
INDUCTANCE/PHASE (mH) @1KHz	4.0±20%	16±20%
HOLDING TORQUE (Nm) [lb-in]	0.25 [2.213]	0.354 [3.133]
DETENT TORQUE (Nm) [lb-in]	7.5x10 ⁻³ [0.0664]	
STEP ANGLE (°)	0.9	
STEP ACCURACY (NON-ACCUM)	±5%	
ROTOR INERTIA (Kg-m ²) [lb-in ²]	5.4x10 ⁻⁶ [0.0184]	
WEIGHT (Kg) [lb]	0.28 [0.617]	
TEMPERATURE RISE: MAX.80°C (MOTOR STANDSTILL; FOR 2 PHASE ENERGIZED)	AXIAL-FORCE Fa (N)	
AMBIENT TEMPERATURE -10°~ 50°C [14°F ~ 122°F]	DISTANCE a (mm)	
INSULATION RESISTANCE 100 MOhm (UNDER NORMAL TEMPERATURE AND HUMIDITY)	RADIAL-FORCE Fr (N)	
INSULATION CLASS B 130° [266°F]	AXIAL	
DIELECTRIC STRENGTH 500VAC FOR 1 MIN. (BETWEEN THE MOTOR COILS AND THE MOTOR CASE)	RADIAL	
AMBIENT HUMIDITY MAX. 85% (NO CONDENSATION)	AT LOAD MAX: (N)	

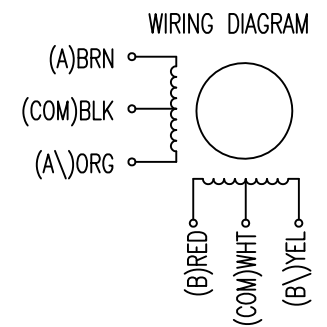


TYPE OF CONNECTION (EXTERN)			MOTOR		
UNIPOLAR	BIPOLAR		CONNECTOR PIN NO.	LEADS	WINDING
	1WINDING	SERIAL			
A	A	A	1	BRN	A
COM	COM		5	BLK	COM
A\		A\	3	ORG	A\
B	B	B	2	RED	B
COM	COM		6	WHT	COM
B\		B\	4	YEL	B\

for >speed ←
for <speed ←

FULL STEP 2 PHASE-Ex., WHEN FACING MOUNTING END (X)

STEP	A	B	A\	B\	
1	+	+	-	-	CCW
2	-	+	+	-	
3	-	-	+	+	CW
4	+	-	-	+	



REV	DESCRIPTION	DATE	APVD
1	MOTOR LENGTH+UL NO.	09.11.09	J.W.



ST4209M1206

SCALE FREE	APVD	S.Hα.	DATE
X ±0.5	CHKD		26.02.07
1PL ±0.2	DRN	J.W.	29.06.06
2PL ±0.1	SIGNATURE		DATE
ANGLE ±30'			

STEPPING MOTOR	
DWG.NO	ST4209M1206