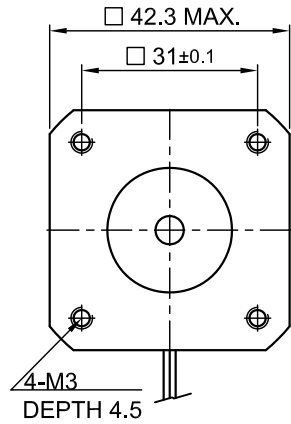
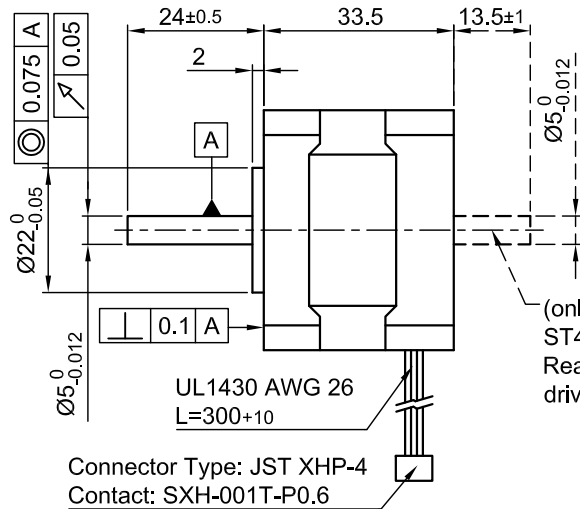


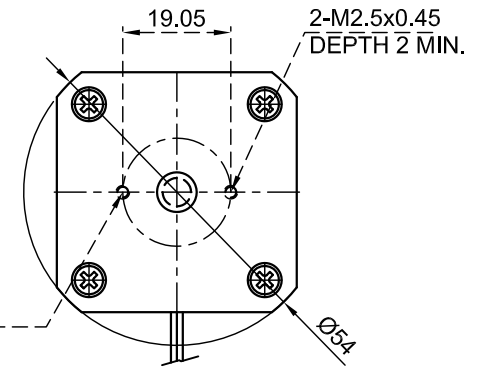
Front view and mounting



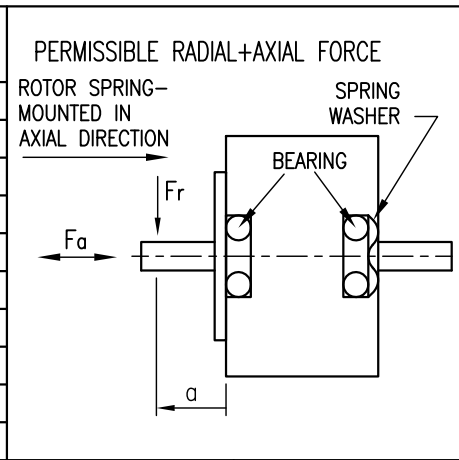
Side view



Rear view



CONNECTION	BIPOLAR
SPECIFICATION	
VOLTAGE (VDC)	2.79
AMPS/PHASE	1.33
RESISTANCE/PHASE (Ohms)@25°C	2.1±15%
INDUCTANCE/PHASE (mH) @1KHz	5.2±20%
HOLDING TORQUE (Nm) [lb-in]	0.22 [1.947]
DETENT TORQUE (Nm) [lb-in]	6.6x10 ⁻³ [0.0584]
STEP ANGLE (°)+ ACCURACY	0.9±5%
BACK-EMF (V) (300 U/min)	4
ROTOR INERTIA (Kg-m ²) [lb-in ²]	3.5x10 ⁻⁶ [0.012]
WEIGHT (Kg) [lb]	0.22 [0.485]

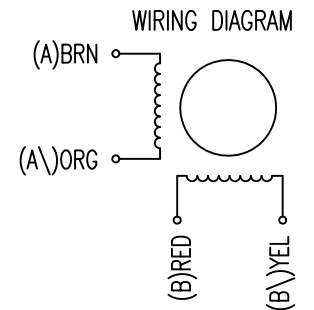


TYPE OF CONNECTION (EXTERN)	MOTOR			
	BIPOLAR	CONNECTOR PIN NO.	LEADS	WINDING
A —	1	BRN	A	
A\ —	2	ORG	A\	
B —	3	RED	B	
B\ —	4	YEL	B\	

TEMPERATURE RISE: MAX.80°C (MOTOR STANDSTILL; FOR 2 PHASE ENERGIZED)		AXIAL-FORCE Fa (N)		Fa=7		
AMBIENT TEMPERATURE -10~ 50°C [14°F ~ 122°F]		DISTANCE a (mm)	5	10	15	20
INSULATION RESISTANCE 100 MOhm (UNDER NORMAL TEMPERATURE AND HUMIDITY)		RADIAL-FORCE Fr (N)	58	36	26	20
INSULATION CLASS B 130° [266°F]				AXIAL	RADIAL	
DIELECTRIC STRENGTH 500VAC FOR 1 MIN. (BETWEEN THE MOTOR COILS AND THE MOTOR CASE)		SHAFT PLAY (mm)	0.075		0.025	
AMBIENT HUMIDITY MAX. 85% (NO CONDENSATION)		AT LOAD MAX: (N)	10	5.0		

FULL STEP 2 PHASE-Ex., WHEN FACING MOUNTING END (X)

STEP	A	B	A\	B\'	CCW	CW
1	+	+	-	-	↓	↑
2	-	+	+	-	↓	↑
3	-	-	+	+	↓	↑
4	+	-	-	+	↓	↑



3	VALUE OF BACK-EMF	20.06.11	LB
2	DATA ADAPTED	14.09.09	J.W.
1	DATA CORRECTION	30.04.08	J.W.
REV	DESCRIPTION	DATE	APVD



ST4209S1404

SCALE FREE	APVD	S.H.a.	26.02.07
X ±0.5	CHKD		
1PL ±0.2	DRN	J.W.	28.06.06
2PL ±0.1	SIGNATURE	DATE	
ANGLE ±30'			

STEPPING MOTOR

DWG.NO
ST4209S1404