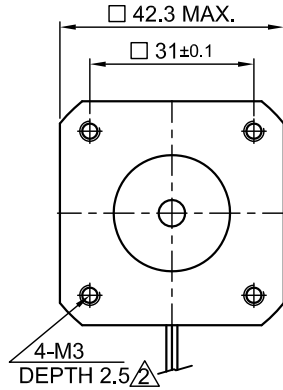
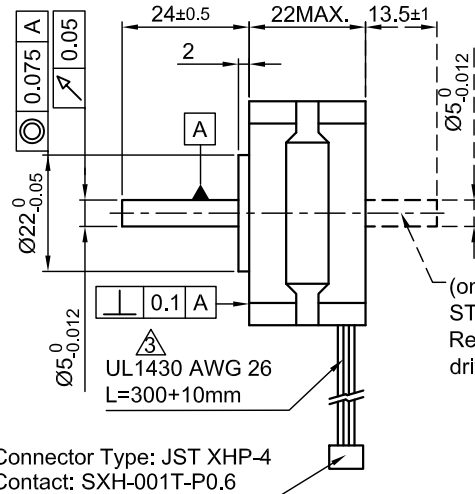


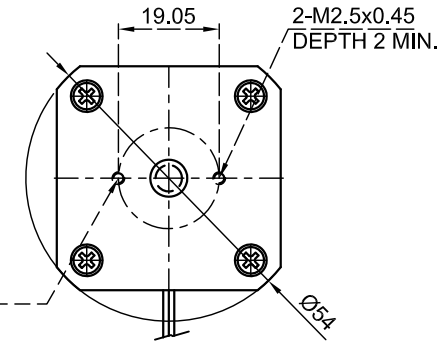
Front view and mounting



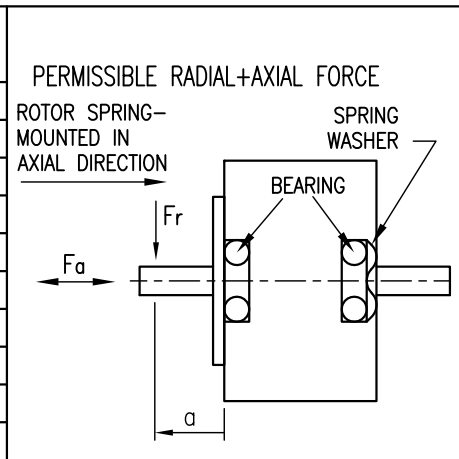
Side view



Rear view



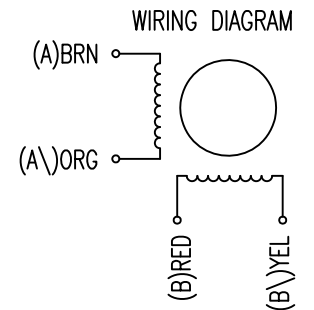
CONNECTION	BIPOLAR
SPECIFICATION	
VOLTAGE (VDC)	8.7
AMPS/PHASE	1.0
RESISTANCE/PHASE (Ohms)@25°C	8.7±15%
INDUCTANCE/PHASE (mH) @1KHz	18±20%
HOLDING TORQUE (Nm) [lb-in]	0.17 [1.505]
DETENT TORQUE (Nm) [lb-in]	3.0x10 <sup>-3</sup> [0.0266]
STEP ANGLE (°)+ ACCURACY	0.9±5%
BACK-EMF (V) (300 U/min)	7.5 min.
ROTOR INERTIA (Kg-m <sup>2</sup> ) [lb-in <sup>2</sup> ]	2.0x10 <sup>-6</sup> [6.8x10 <sup>-3</sup> ]
WEIGHT (Kg) [lb]	0.15 [0.331]



TYPE OF CONNECTION (EXTERN)	MOTOR			
	BIPOLAR	CONNECTOR PIN NO.	LEADS	WINDING
A —	1	BRN	A	
A\ —	2	ORG	A\	
B —	3	RED	B	
B\ —	4	YEL	B\	

FULL STEP 2 PHASE-Ex., WHEN FACING MOUNTING END (X)

STEP	A	B	A\	B\	CCW	CW
1	+	+	-	-	↓	↑
2	-	+	+	-	↑	↓
3	-	-	+	+	↓	↑
4	+	-	-	+	↑	↓



TEMPERATURE RISE: MAX.80°C (MOTOR STANDSTILL; FOR 2 PHASE ENERGIZED)	AXIAL-FORCE Fa (N)	Fr=7
AMBIENT TEMPERATURE -10~ 50°C [14°F ~ 122°F]	DISTANCE a (mm)	5   10   15   20
INSULATION RESISTANCE 100 MOhm (UNDER NORMAL TEMPERATURE AND HUMIDITY)	RADIAL-FORCE Fr (N)	58   36   26   20
INSULATION CLASS B 130° [266°F]		AXIAL   RADIAL
DIELECTRIC STRENGTH 500VAC FOR 1 MIN. (BETWEEN THE MOTOR COILS AND THE MOTOR CASE)	SHAFT PLAY (mm)	0.075   0.025
AMBIENT HUMIDITY MAX. 85% (NO CONDENSATION)	AT LOAD MAX: (N)	10   5.0

3	INDUCTANCE + UL NO.	01.07.09	J.W.
2	SCREW THREAD DEPTH	30.01.07	J.W.
4	VALUE OF BACK-EMF	01.07.11	J.W.
REV	DESCRIPTION	DATE	APVD



ST4209X1004

SCALE FREE	APVD	S.Hα	15.12.06
X ±0.5	CHKD		
1PL ±0.2	DRN	J.W.	29.06.06
2PL ±0.1	SIGNATURE	DATE	
ANGLE ±30'			

STEPPING MOTOR

DWG.NO  
ST4209X1004