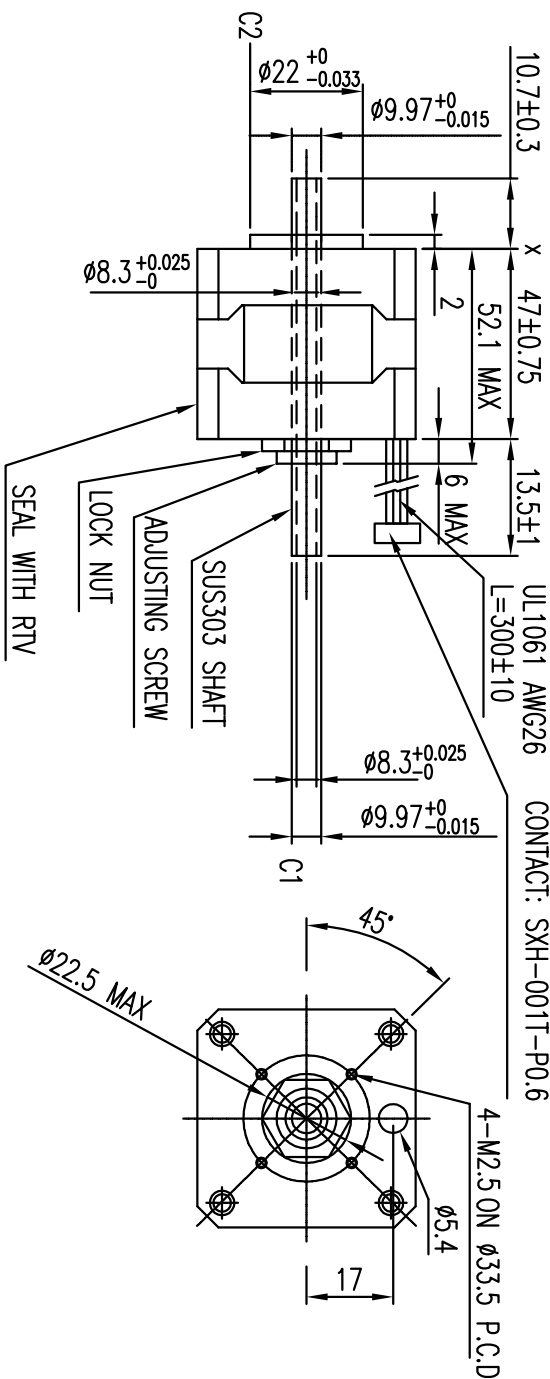
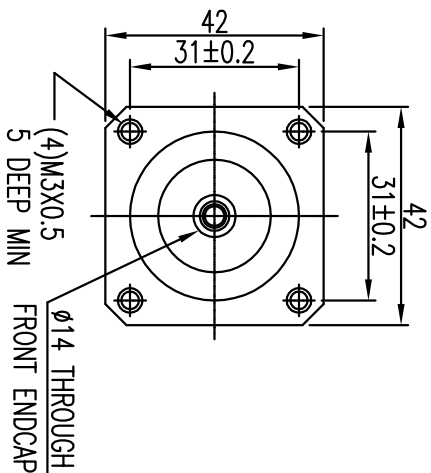


DIMENSION (UNIT : mm)



JST XHP-6
UL1061 AWG26 CONTACT: SXH-001T-P0.6

SPECIFICATION

RATED VOLTAGE (VM)DC	3.4
AMPS/PHASE	1.8
RESISTANCE /PHASE Rm (Ohms) @25°C	1.9 ±10%
INDUCTANCE/PHASE.mH @1KHz	1.65 ±20%
STEP ANGLE (DEG)	1.8
STEP ACCURACY (NON-ACCUM)	±5%
HOLDING TORQUE (g-cm) @1.8A/φ2.0-Ex.	3000
ROTOR INERTIA (g-cm ²)	68
WEIGHT (g)	280
INSULATION CLASS	B
INSULATION RESISTANCE	100M ohm @500VDC
DIELECTRIC STRENGTH	500VAC FOR ONE MINUTE
AMBIENTTEMPERATURE	-10°C ~ +50°C

NOTES:

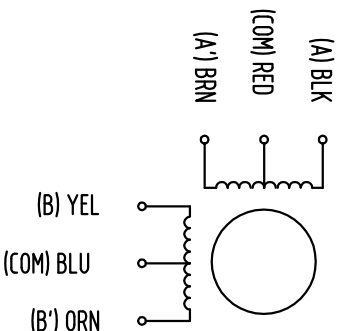
1. C1 DIAMETER RUNOUT TO BE 0.05 mm MAX.
2. C2 CONCENTRIC TO C1 W/IN 0.05 mm TIR.
3. X SURFACE PERPENDICULAR TO C1 W/IN 0.127 mm.
4. END CAPS TO BE BLACK PAINTED.
5. END PLAY : 0.1 MAX. WITH 9.0kg LOAD.
6. TORQUE ADJUSTING SCREW TO 1.44 kg-cm (REF) TO MEET NOTE 5.
7. TORQUE LOCKNUT TO 10.8~14.4 kg-cm.

FULL STEP 2 PHASE-Ex.,

WHEN FACING MOUNTING END (X)

STEP	A	B	A'	B'	COM	CCW
1	+	+	-	-		↺
2	-	+	+	-	+DCV	↻
3	-	-	+	+		
4	+	-	-	+		

WIRING DIAGRAM



STEPPING MOTOR

NANOTEC : ST4218L1806-LC-NEU		SCALE FREE	APVD	DMG.NO	
X		±0.5	CHKD	ST4218L1806-LC-NEU_Z01	
1PL		±0.2	DRN	DATE	
2PL		±0.1	SIGNATURE	DATE	
ANGLE ±30°					

A

B

C

D

E

F

6

5

4

3

2

1