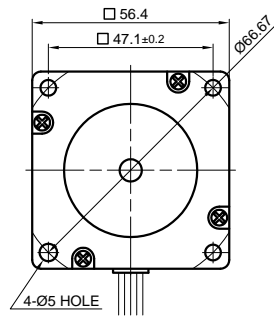
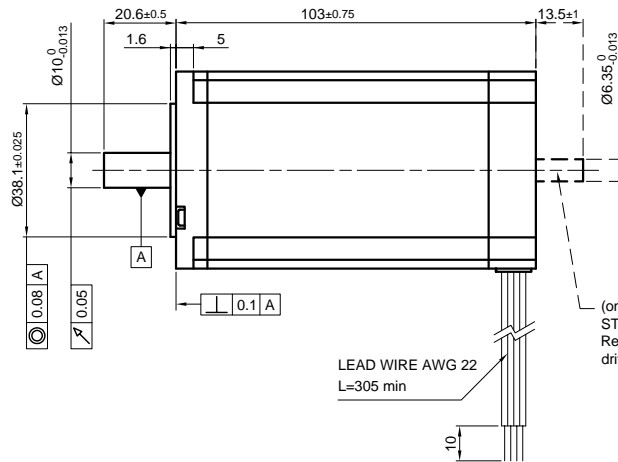


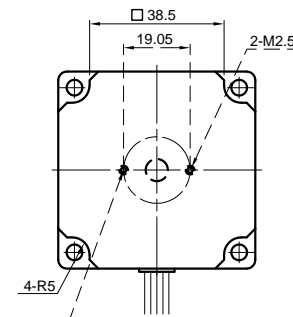
Front view and mounting



Side view



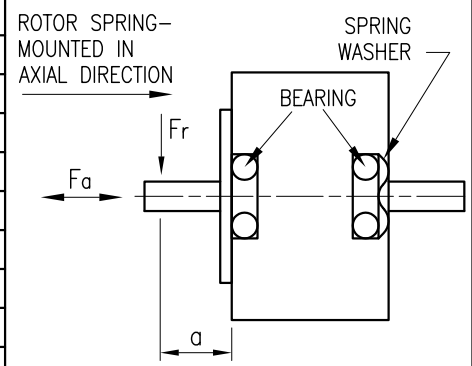
Rear view



(only for type ST5709C3008-B Ready for encoder + driver mount)

SPECIFICATION	CONNECTION		BIPOLAR	
	UNIPOLAR OR BIPOLAR-1 WINDING		SERIELL	PARALLEL
RATED VOLTAGE (VDC)	5.1			
AMPS/PHASE	3.0		2.12	4.24
RESISTANCE/PHASE (Ohms)@25°C	1.7±15%		3.4±15%	0.85±15%
INDUCTANCE/PHASE (mH) @1KHz	5.3±20%		21.2±20%	5.3±20%
HOLDING TORQUE (Nm) [lb-in]	1.6 [14.16]		2.26 [20.0]	2.26 [20.0]
DETEND TORQUE (Nm) [lb-in]	0.048 [0.425]			
STEP ANGLE (°)	0.9			
STEP ACCURACY (NON-ACCUM)	±5%			
ROTOR INERTIA (Kg-m ²) [lb-in ²]	7.2x10 ⁻⁵ [0.246]			
WEIGHT (Kg) [lb]	1.5 [3.308]			
HOUSING TEMPERATURE RISE: MAX.80°C (MOTOR STANDSTILL; FOR 2 PHASE ENERGIZED)				
AMBIENT TEMPERATURE -10°~ 50°C [14°F ~ 122°F]				
INSULATION RESISTANCE 100 MOhm (UNDER NORMAL TEMPERATURE AND HUMIDITY)				
INSULATION CLASS B 130° [266°F]				
DIELECTRIC STRENGTH 500VAC FOR 1 MIN. (BETWEEN THE MOTOR COILS AND THE MOTOR CASE)				
AMBIENT HUMIDITY MAX. 85% (NO CONDENSATION)				

PERMISSIBLE RADIAL+AXIAL FORCE

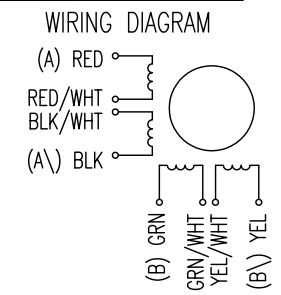


	AXIAL-FORCE Fa (N)	
	Fa=25	
DISTANCE a (mm)	5	10
RADIAL-FORCE Fr (N)	228	169
	139	100
	AXIAL	RADIAL
SHAFT PLAY (mm)	0.075	0.025
AT LOAD MAX: (N)	10	5.0

UNIPOLAR	TYPE OF CONNECTION (EXTERN)			MOTOR	
	1WINDING	BIPOLAR SERIELL	BIPOLAR PARALLEL	LEADS	WINDING
A	A	A	A	RED	A
COM				RED/WHT	
A\		A\	A\	BLK/WHT	A\
B	B	B	B	BLK	B
COM				GRN	
B\		B\	B\	GRN/WHT	B\
				YEL/WHT	
				YEL	

FULL STEP 2 PHASE-Ex., WHEN FACING MOUNTING END (X)

STEP	A	B	A\	B\	CCW	CW
1	+	+	-	-		
2	-	+	+	-		
3	-	-	+	+		
4	+	-	-	+		



NANOTEC:				SCALE FREE	APVD	<i>S.Hα.</i>	15.01.07	STEPPING MOTOR
ST5709C3008				X ±0.5	CHKD			
				1PL ±0.2	DRN	<i>J.W.</i>	05.07.06	DWG.NO
				2PL ±0.1	SIGNATURE		DATE	ST5709C3008
REV	DESCRIPTION	DATE	APVD	ANGLE ±30'				