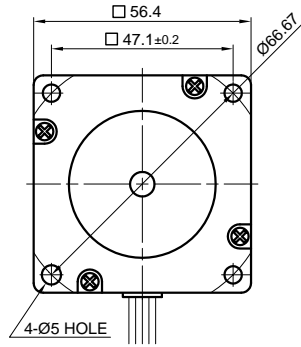
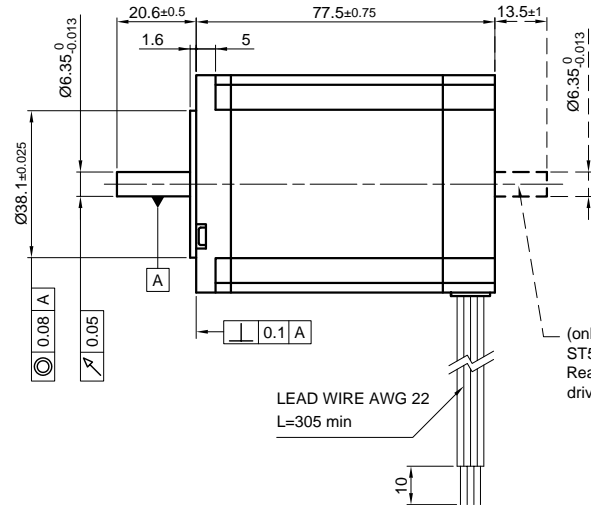


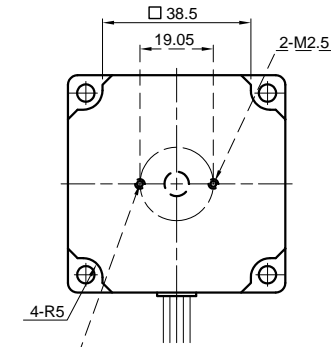
Front view and mounting



Side view

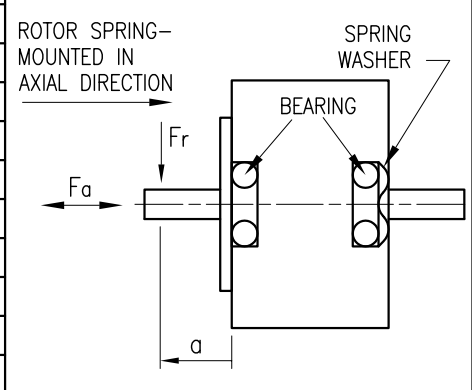


Rear view



SPECIFICATION	CONNECTION	UNIPOLAR OR BIPOLAR-1 WINDING	BIPOLAR	
			SERIAL	PARALLEL
VOLTAGE (VDC)		2.0		
AMPS/PHASE		4.0	2.83	5.66
RESISTANCE/PHASE (Ohms)@25°C		0.5±15%	1.0±15%	0.25±15%
INDUCTANCE/PHASE (mH) @1KHz		1.0±20%	4.0±20%	1.0±20%
HOLDING TORQUE (Nm) [lb-in]		1.35 [11.95]	1.91 [16.9]	1.91 [16.9]
DETENT TORQUE (Nm) [lb-in]		0.0405 [0.359]		
STEP ANGLE (°)		0.9		
STEP ACCURACY (NON-ACCUM)		±5%		
ROTOR INERTIA (Kg-m ²) [lb-in ²]		4.8x10 ⁻⁵ [0.164]		
WEIGHT (Kg) [lb]		1.0 [2.205]		

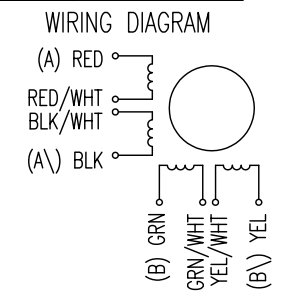
PERMISSIBLE RADIAL+AXIAL FORCE



UNIPOLAR	TYPE OF CONNECTION (EXTERN)			MOTOR	
	1WINDING	SERIAL	PARALLEL	LEADS	WINDING
A	A	A	A	RED	A
COM				RED/WHT	
A\		A\	A\	BLK	A\
B	B	B	B	GRN	B
COM				GRN/WHT	
B\		B\	B\	YEL/WHT	B\
				YEL	

FULL STEP 2 PHASE-Ex., WHEN FACING MOUNTING END (X)

STEP	A	B	A\	B\	CCW	CW
1	+	+	-	-	↓	↑
2	-	+	+	-	↓	↑
3	-	-	+	+	↓	↑
4	+	-	-	+	↓	↑



TEMPERATURE RISE: MAX.80°C (MOTOR STANDSTILL; FOR 2 PHASE ENERGIZED)	AXIAL-FORCE Fa (N)	Fa=10	
AMBIENT TEMPERATURE -10°~ 50°C [14°F ~ 122°F]	DISTANCE a (mm)	5	10
INSULATION RESISTANCE 100 MOhm (UNDER NORMAL TEMPERATURE AND HUMIDITY)	RADIAL-FORCE Fr (N)	130	90
INSULATION CLASS B 130° [266°F]		AXIAL	RADIAL
DIELECTRIC STRENGTH 500VAC FOR 1 MIN. (BETWEEN THE MOTOR COILS AND THE MOTOR CASE)	SHAFT PLAY (mm)	0.075	0.025
AMBIENT HUMIDITY MAX. 85% (NO CONDENSATION)	AT LOAD MAX: (N)	10	5.0

REV	DESCRIPTION	DATE	APVD	NANOTEC:	SCALE FREE	APVD	S.H.a.	15.01.07	STEPPING MOTOR
				ST5709L4008	X ±0.5 1PL ±0.2 2PL ±0.1 ANGLE ±30'	CHKD			
						DRN	J.W.	05.07.06	DWG.NO
						SIGNATURE		DATE	ST5709L4008