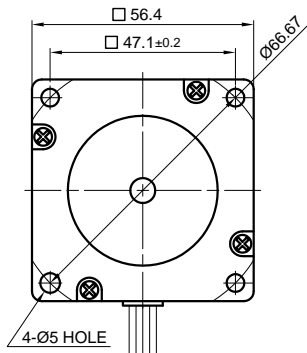
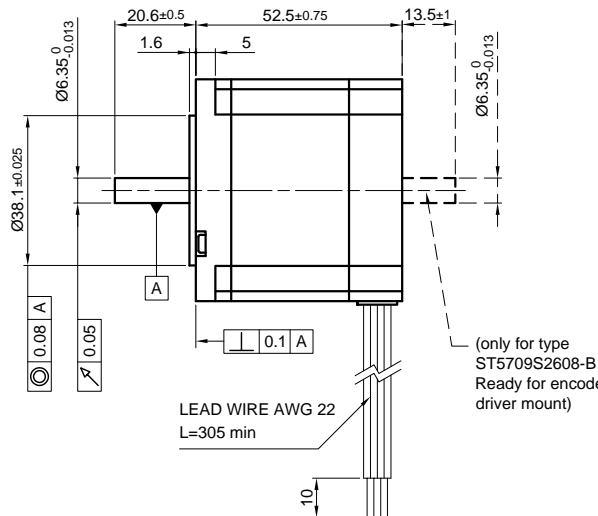


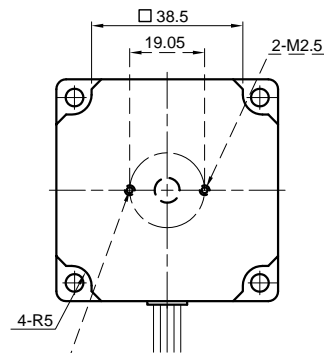
Front view and mounting



Side view

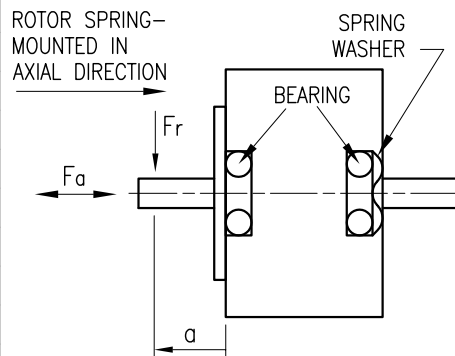


Rear view



SPECIFICATION	CONNECTION		UNIPOLAR OR BIPOLAR-1 WINDING		BIPOLAR	
	BIPOLAR-1 WINDING		SERIAL	PARALLEL	SERIAL	PARALLEL
VOLTAGE (VDC)	3.38					
AMPS/PHASE	2.6		1.84	3.68		
RESISTANCE/PHASE (Ohms)@25°C	1.3±15%		2.6±15%	0.65±15%		
INDUCTANCE/PHASE (mH) @1KHz	1.8±20%		7.2±20%	1.8±20%		
HOLDING TORQUE (Nm) [lb-in]	0.75 [6.637]		1.06 [9.381]	1.06 [9.381]		
DETTENT TORQUE (Nm) [lb-in]		0.0225 [0.199]				
STEP ANGLE (°)		0.9				
STEP ACCURACY (NON-ACCUM)		±5%				
ROTOR INERTIA (Kg-m ²) [lb-in ²]		2.75x10 ⁻⁵ [0.094]				
WEIGHT (Kg) [lb]		0.65 [1.433]				

PERMISSIBLE RADIAL+AXIAL FORCE



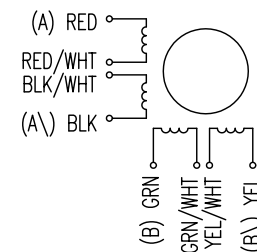
AXIAL-FORCE Fa (N)	Fa=10			
DISTANCE a (mm)	5	10	15	20
RADIAL-FORCE Fr (N)	130	90	70	52
		AXIAL	RADIAL	
SHAFT PLAY (mm)	0.075	0.025		
AT LOAD MAX: (N)	10	5.0		

TYPE OF CONNECTION (EXTERN)	BIPOLAR			MOTOR	
	1WINDING	SERIAL	PARALLEL	LEADS	WINDING
UNIPOLAR					
A	A	A	A	RED	A
COM				RED/WHT	
A\		A\	A\	BLK/WHT	A\
B	B	B	B	BLK	B
COM				GRN	
B\		B\	B\	GRN/WHT	B\
				YEL/WHT	
				YEL	

FULL STEP 2 PHASE-Ex., WHEN FACING MOUNTING END (X)

STEP	A	B	A\	B\	CCW
1	+	+	-	-	↓
2	-	+	+	-	↑
3	-	-	+	+	↓
4	+	-	-	+	↑

WIRING DIAGRAM



REV	DESCRIPTION	DATE	APVD

NANOTEC:		SCALE FREE	APVD	S.H.a.	15.01.07	
ST5709S2608		X ±0.5	CHKD			
		1PL ±0.2	DRN	J.W.	05.07.06	
		2PL ±0.1	SIGNATURE		DATE	
		ANGLE ±30'				

STEPPING MOTOR	
DWG.NO	ST5709S2608