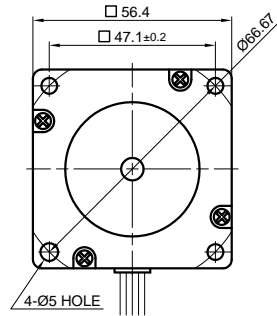
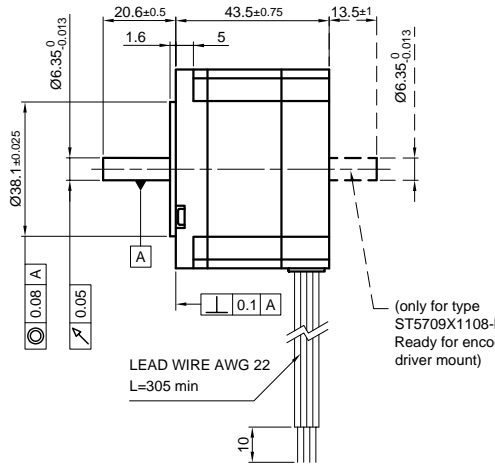


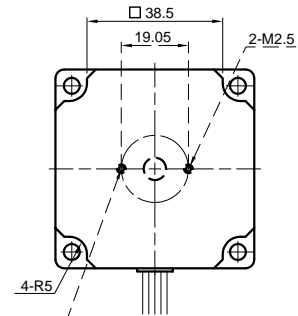
Front view and mounting



Side view

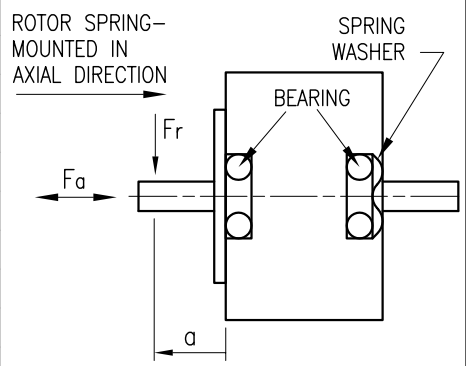


Rear view



SPECIFICATION	CONNECTION		BIPOLAR	
	UNIPOLAR OR BIPOLAR-1 WINDING		SERIAL	PARALLEL
VOLTAGE (VDC)	4.4			
AMPS/PHASE	1.1		0.78	1.56
RESISTANCE/PHASE (Ohms)@25°C	4.0±15%		8.0±15%	2.0±15%
INDUCTANCE/PHASE (mH) @1KHz	5.0±20%		20±20%	5.0±20%
HOLDING TORQUE (Nm) [lb-in]	0.43 [3.806]		0.608 [5.381]	0.608 [5.381]
DETENT TORQUE (Nm) [lb-in]	0.0129 [0.114]			
STEP ANGLE (°)	0.9			
STEP ACCURACY (NON-ACCUM)	±5%			
ROTOR INERTIA (Kg-m ²) [lb-in ²]	1.2x10 ⁻⁵ [0.041]			
WEIGHT (Kg) [lb]	0.45 [0.992]			

PERMISSIBLE RADIAL+AXIAL FORCE

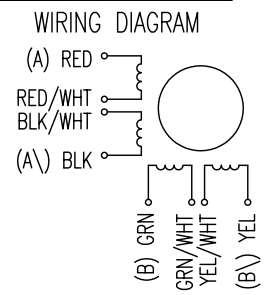


	AXIAL-FORCE Fa (N)	
	Fa=10	
AMBIENT TEMPERATURE -10°~ 50°C [14°F ~ 122°F]	DISTANCE a (mm)	5 10 15 20
INSULATION RESISTANCE 100 MOhm (UNDER NORMAL TEMPERATURE AND HUMIDITY)	RADIAL-FORCE Fr (N)	130 90 70 52
		AXIAL RADIAL
DIELECTRIC STRENGTH 500VAC FOR 1 MIN. (BETWEEN THE MOTOR COILS AND THE MOTOR CASE)	SHAFT PLAY (mm)	0.075 0.025
AMBIENT HUMIDITY MAX. 85% (NO CONDENSATION)	AT LOAD MAX: (N)	10 5.0

UNIPOLAR	TYPE OF CONNECTION (EXTERN)			MOTOR	
	1WINDING	SERIAL	PARALLEL	LEADS	WINDING
A	A	A	A	RED	A
COM				RED/WHT	
A\		A\	A\	BLK	A\
B	B	B	B	GRN	B
COM				GRN/WHT	
B\		B\	B\	YEL/WHT	B\
				YEL	

FULL STEP 2 PHASE-Ex., WHEN FACING MOUNTING END (X)

STEP	A	B	A\	B\	CCW	CW
1	+	+	-	-		
2	-	+	+	-		
3	-	-	+	+		
4	+	-	-	+		



REV	DESCRIPTION	DATE	APVD	NANOTEC:	SCALE	APVD	S.H.a.	15.01.07	STEPPING MOTOR	
				ST5709X1108	X ±0.5	CHKD			DWG.NO	
					1PL ±0.2	DRN	J.W.	05.07.06		
					2PL ±0.1	SIGNATURE		DATE		ST5709X1108
					ANGLE ±30'					