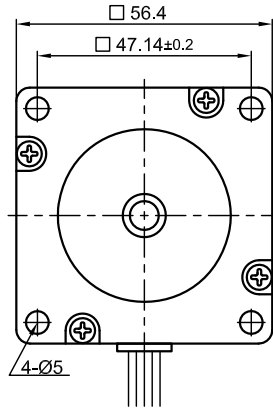
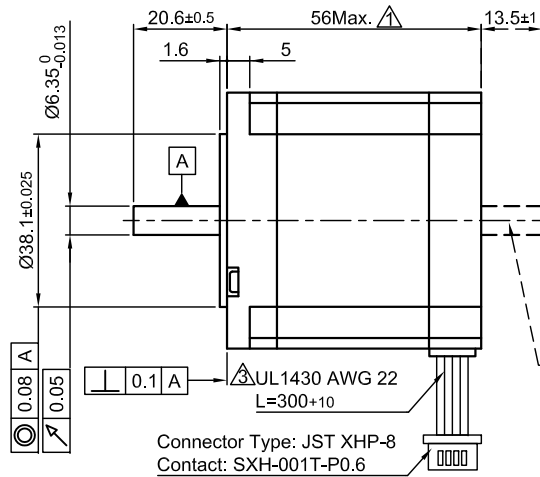


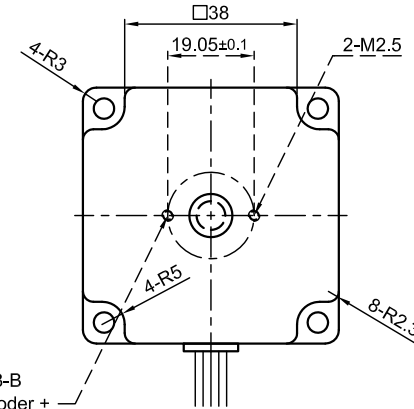
Front view and mounting



Side view



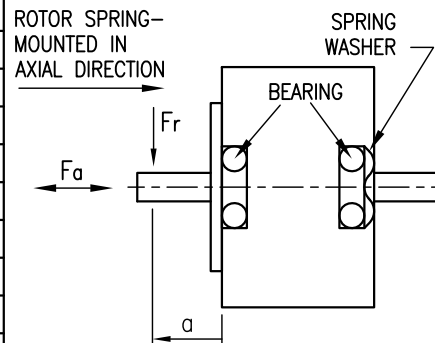
Rear view



(only for type ST5918M1008-B Ready for encoder + driver mount)

SPECIFICATION	CONNECTION	UNIPOLAR OR BIPOLAR-1 WINDING	BIPOLAR	
			SERIAL	PARALLEL
VOLTAGE (VDC)		6.9		
AMPS/PHASE		1.0	0.71	1.41
RESISTANCE/PHASE (Ohms)@25°C		6.9±10%	13.8±10%	3.5±10%
INDUCTANCE/PHASE (mH) @1KHz		14±20%	56±20%	14±20%
HOLDING TORQUE (Nm) [lb-in]		0.74 [6.55]	△1.05 [9.29]	△1.05 [9.29]
DETENT TORQUE (Nm) [lb-in]		0.04 [0.354]		
STEP ANGLE (°) ± ACCURACY		1.8±5% (NON-ACCUM)		
BACK-EMF (V) (300 U/min)			36.00	
ROTOR INERTIA (Kg-m ²) [lb-in ²]		3.0x10 ⁻⁵ [0.102]		
WEIGHT (Kg) [lb]		0.7 [1.54]		
TEMPERATURE RISE: MAX.80°C (MOTOR STANDSTILL; FOR 2 PHASE ENERGIZED)				
AMBIENT TEMPERATURE -10~ 50°C [14°F ~ 122°F]				
INSULATION RESISTANCE 100 MOhm (UNDER NORMAL TEMPERATURE AND HUMIDITY)				
INSULATION CLASS B 130° [266°F]				
DIELECTRIC STRENGTH 500VAC FOR 1 MIN. (BETWEEN THE MOTOR COILS AND THE MOTOR CASE)				
AMBIENT HUMIDITY MAX. 85% (NO CONDENSATION)				

PERMISSIBLE RADIAL+AXIAL FORCE



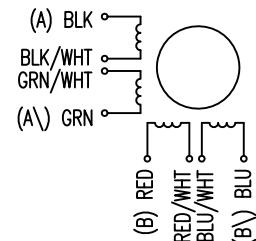
	AXIAL-FORCE Fa (N)				RADIAL-FORCE Fr (N)			
	Fa=15							
DISTANCE a (mm)	5	10	15	20	130	90	70	52
SHAFT PLAY (mm)	AXIAL				RADIAL			
AT LOAD MAX: (N)	4.5				4.5			

UNIPOLAR	TYPE OF CONNECTION (EXTERN)			MOTOR		
	1WINDING	BIPOLAR SERIAL	BIPOLAR PARALLEL	CONNECTOR PIN NO. (A)	LEADS	WINDING
A	A	A	A	1	BLK	A
COM	A			3	BLK/WHT	
A\		A\	A\	2	GRN/WHT	A\
B	B	B	B	4	GRN	B
COM	B			5	RED	
B\		B\	B\	7	RED/WHT	B\
				6	BLU/WHT	
				8	BLU	

FULL STEP 2 PHASE-Ex., WHEN FACING MOUNTING END (X)

STEP	A	B	A\	B\	CCW	CW
1	+	+	-	-	↓	↑
2	-	+	+	-	↓	↑
3	-	-	+	+	↓	↑
4	+	-	-	+	↓	↑

WIRING DIAGRAM



3	NEW UL NO.	28.07.09	J.W.
2	PIN-ASSIGNMENT	04.01.08	J.W.
4	HOLDING TORQUE	10.05.10	J.W.
REV	DESCRIPTION	DATE	APVD



ST5918M1008

SCALE	FREE	APVD	S.Ha.	19.03.07
X	±0.5	CHKD		
1PL	±0.2	DRN	J.W.	21.11.06
2PL	±0.1	SIGNATURE		DATE
ANGLE	±30'			

STEPPING MOTOR

DWG.NO

ST5918M1008